
3.5MM JACKS

TABLE OF CONTENTS

- CTP-03-383-S
- CTP-322-1
- CTP-323-1
- CTP-330-W
- CTP-332
- CTP-354W-SG
- CTP-354W-SI
- J-310-5C
- J-312-3B
- J-312-5B
- J-312-D1-D6
- J-355 W-C
- J-355 W-C-I
- CTP-35003-XX
- CTP-J-0653
- CTP-JD-3502
- CTP-JT-3503

Phone 1-800-809-2751

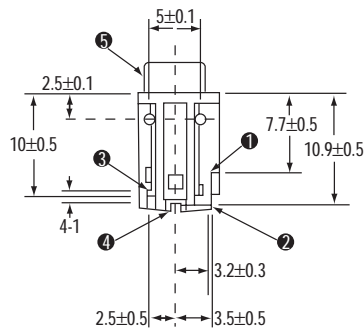
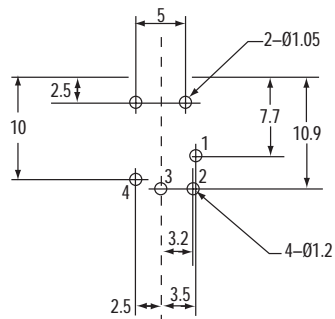
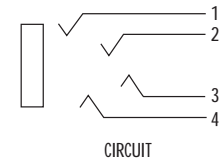
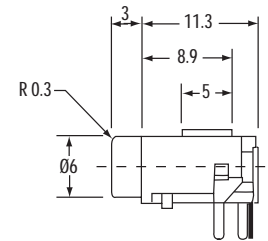
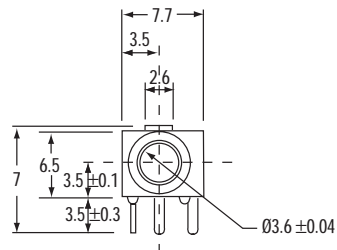
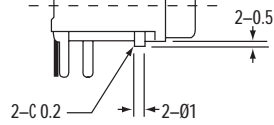
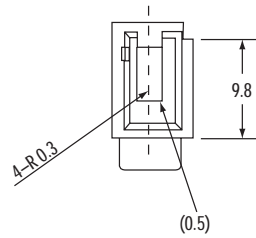


Fax 1-877-809-2751

www.connect-tech-products.com • info@connect-tech-products.com

2533 North Carson St., Ste 1370 • Carson City, NV 89706 • 775-883-0986 • Fax: 775-883-4874

CTP-03-383-S



3.5MM 4-POSITION JACK

Phone 1-800-809-2751

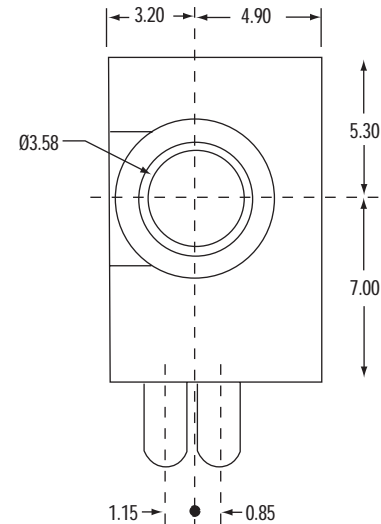
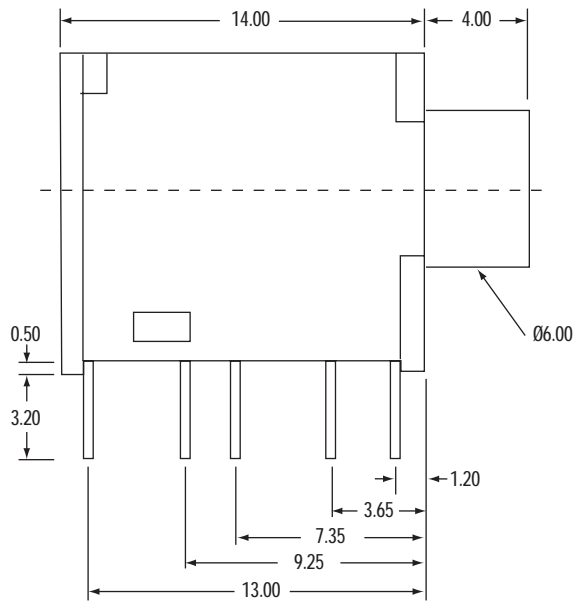


Fax 1-877-809-2751

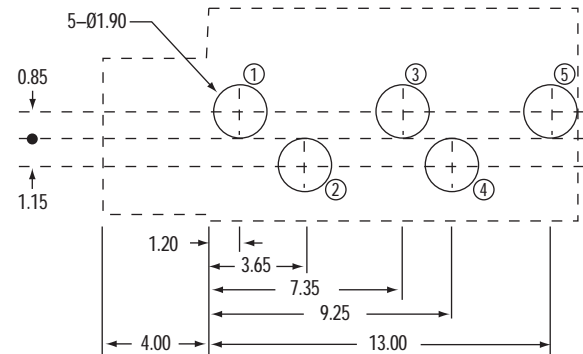
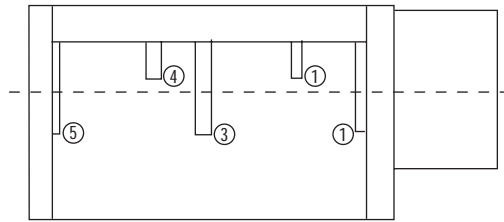
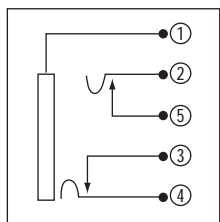
www.connect-tech-products.com • info@connect-tech-products.com

2533 North Carson St., Ste 1370 • Carson City, NV 89706 • 775-883-0986 • Fax: 775-883-4874

CTP-322-1 (COLOR)



- CTP-322-1-LB LIGHT BLUE
- CTP-322-1-DB DARK BLUE
- CTP-322-1-PK PINK
- CTP-322-1-LG LIGHT GREEN
- CTP-322-1-DG DARK GREEN
- CTP-322-1-BK BLACK
- CTP-322-1-OR ORANGE
- CTP-322-1-BR BROWN
- CTP-322-1-DR DARK RED



Phone 1-800-809-2751

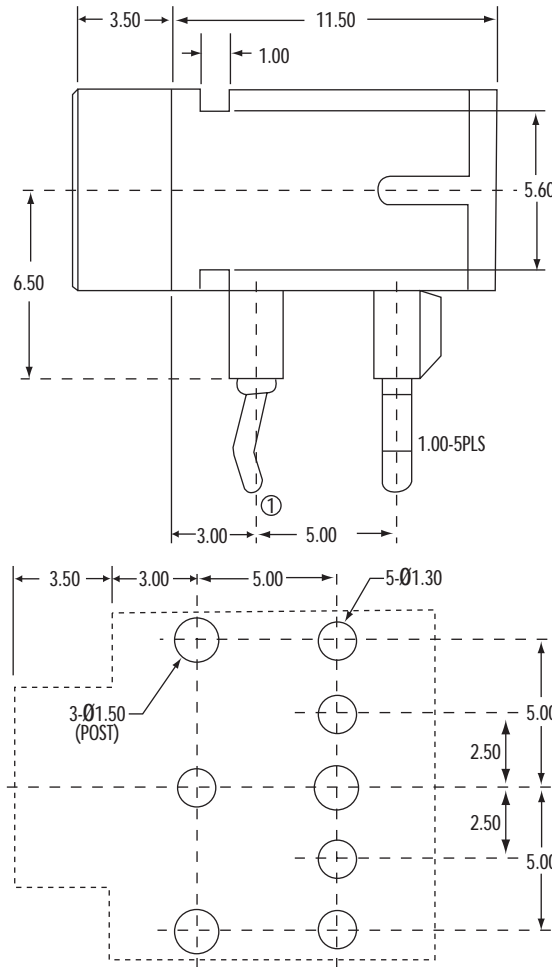
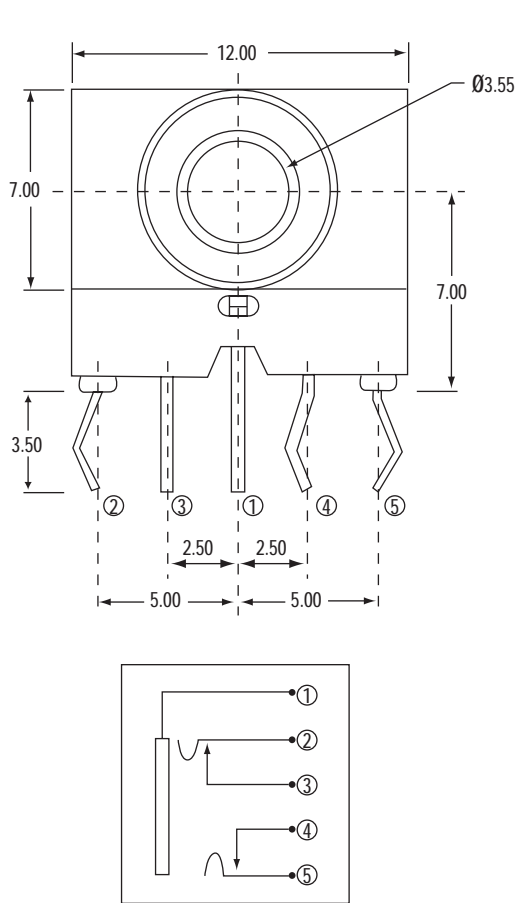


Fax 1-877-809-2751

www.connect-tech-products.com • info@connect-tech-products.com

2533 North Carson St., Ste 1370 • Carson City, NV 89706 • 775-883-0986 • Fax: 775-883-4874

CTP-323-1 (COLOR)



NOTES:

CTP-323-1-LB	LIGHT BLUE
CTP-323-1-DB	DARK BLUE
CTP-323-1-PK	PINK
CTP-323-1-LG	LIGHT GREEN
CTP-323-1-DG	DARK GREEN
CTP-323-1-BK	BLACK
CTP-323-1-OR	ORANGE
CTP-323-1-BR	BROWN
CTP-323-1-DR	DARK RED

MATERIAL:

BODY	PBT 94VO
CONTACTS	PBS TIN-LEAD PLATE

ALSO AVAILABLE WITH THREE PINS
(NO SWITCHES - PINS 3 AND 4 REMOVED)

Phone 1-800-809-2751

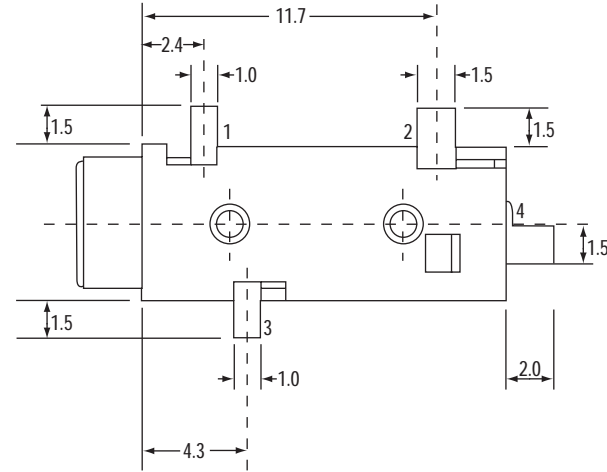
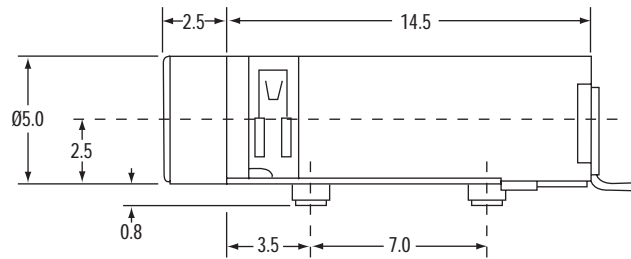
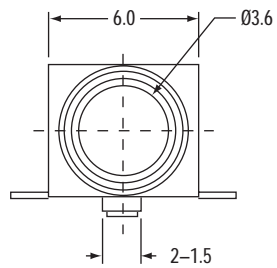


Fax 1-877-809-2751

www.connect-tech-products.com • info@connect-tech-products.com

2533 North Carson St., Ste 1370 • Carson City, NV 89706 • 775-883-0986 • Fax: 775-883-4874

CTP-330-W



SCHEMATIC

PART NUMBER

CTP-330-W-C	CTP-330-W	CTP-330-M

P.C.B LAYOUT
(BOTTOM VIEW)

Phone 1-800-809-2751

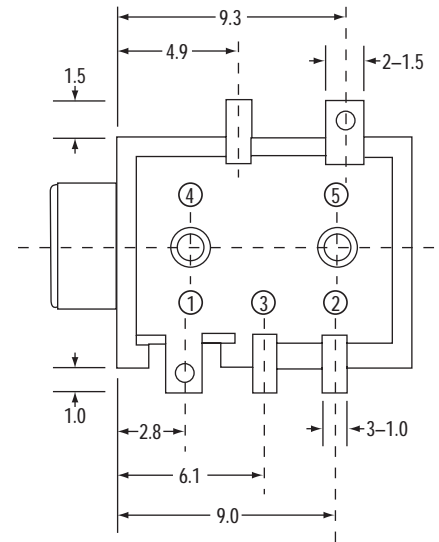
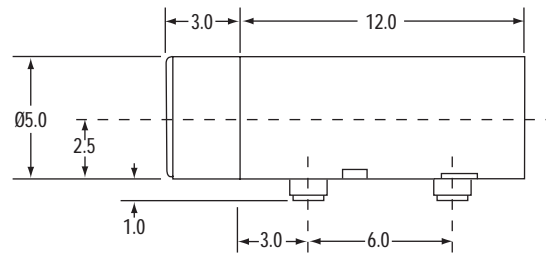
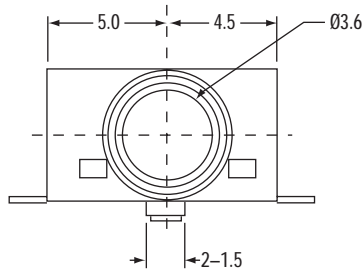


Fax 1-877-809-2751

www.connect-tech-products.com • info@connect-tech-products.com

2533 North Carson St., Ste 1370 • Carson City, NV 89706 • 775-883-0986 • Fax: 775-883-4874

CTP-332



SCHEMATIC

PART NUMBER

CTP-332-5-SMT	CTP-332-3M-SMT

P.C.B. LAYOUT
(BOTTOM VIEW)

Phone 1-800-809-2751

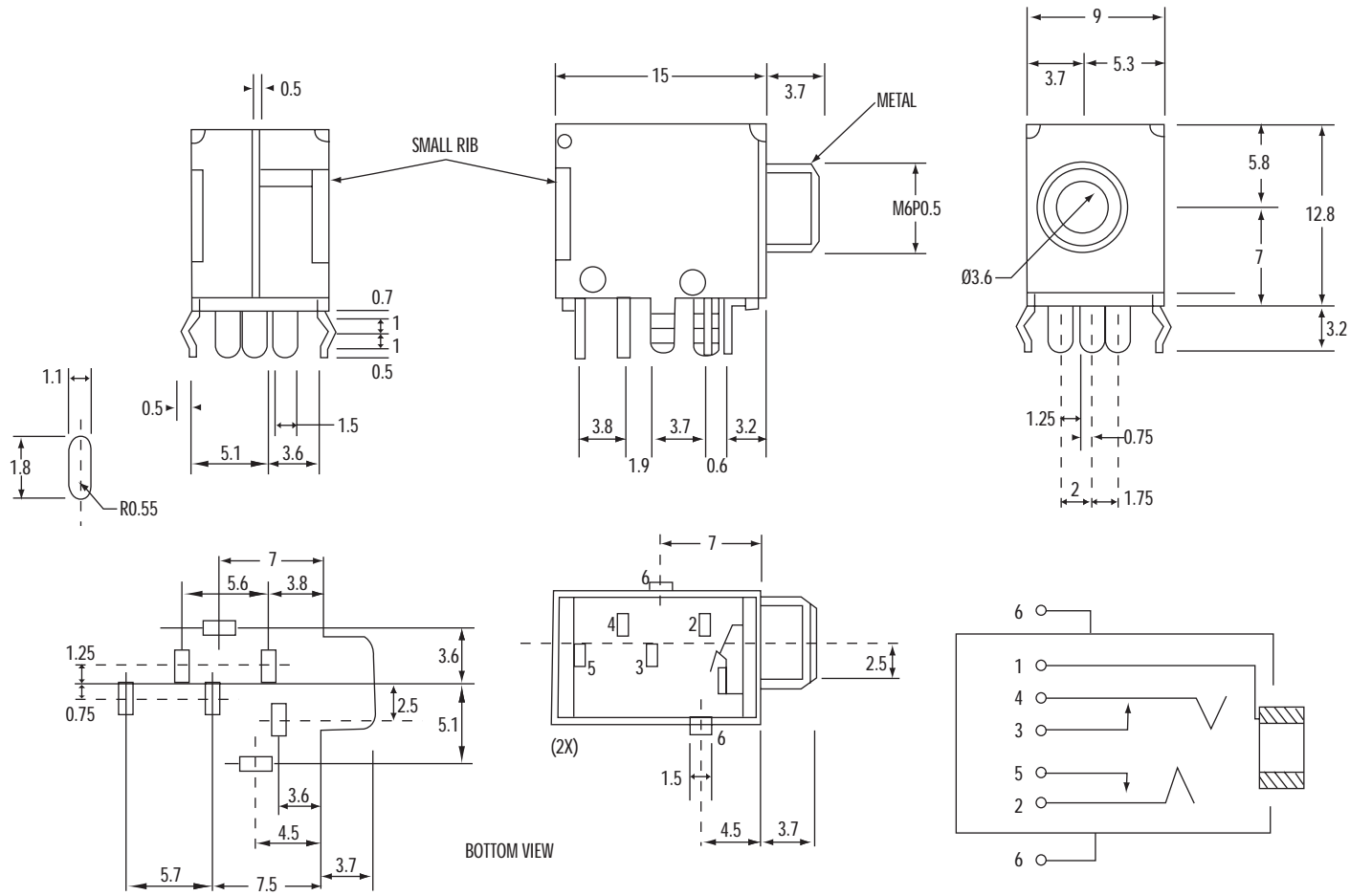


Fax 1-877-809-2751

www.connect-tech-products.com • info@connect-tech-products.com

2533 North Carson St., Ste 1370 • Carson City, NV 89706 • 775-883-0986 • Fax: 775-883-4874

CTP-354W-SG



Phone 1-800-809-2751

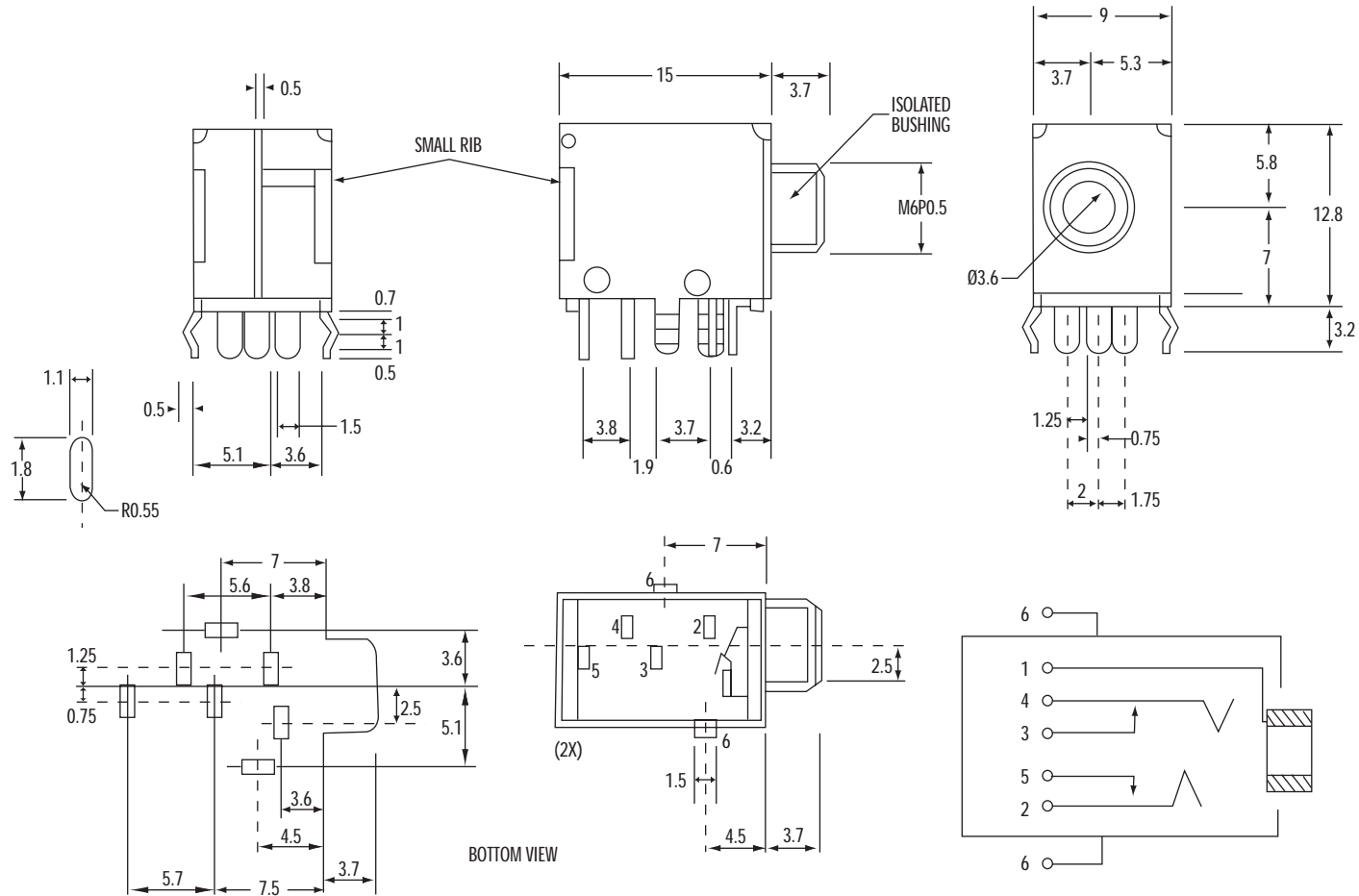


Fax 1-877-809-2751

www.connect-tech-products.com • info@connect-tech-products.com

2533 North Carson St., Ste 1370 • Carson City, NV 89706 • 775-883-0986 • Fax: 775-883-4874

CTP-354W-SI



Phone 1-800-809-2751

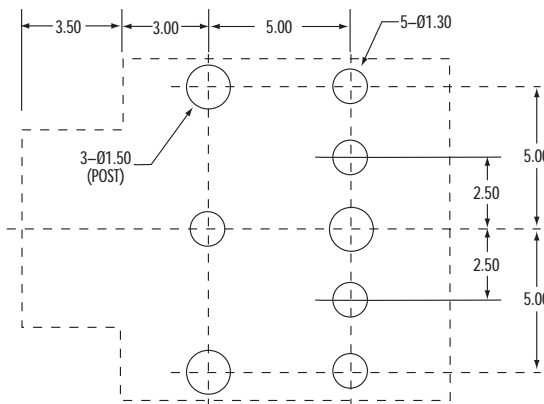
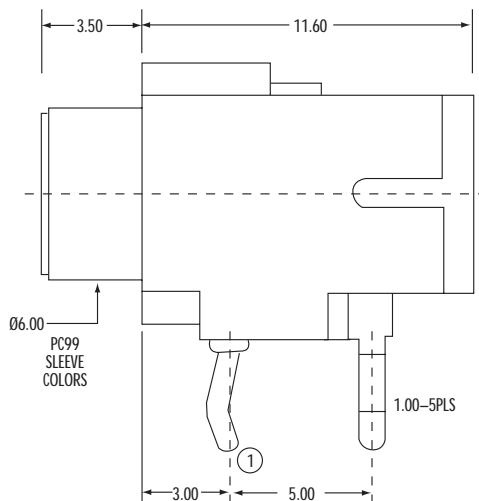
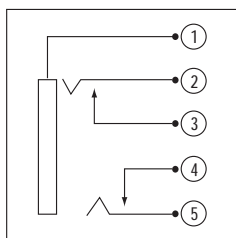
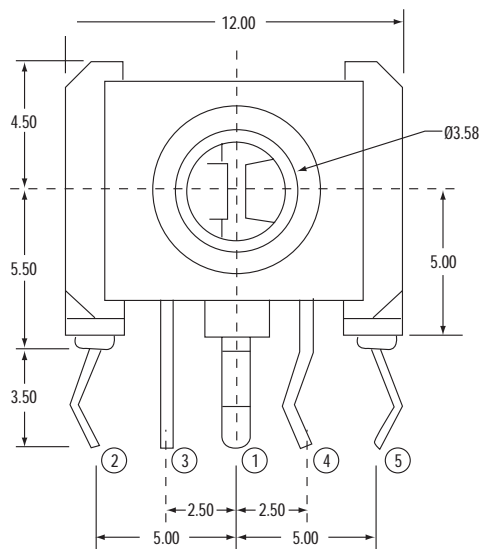


Fax 1-877-809-2751

www.connect-tech-products.com • info@connect-tech-products.com

2533 North Carson St., Ste 1370 • Carson City, NV 89706 • 775-883-0986 • Fax: 775-883-4874

J-310-5C



GROUNDING BUSHING (SLEEVE)

MATERIALS:

1. HOUSING: PBT MEETS UL94V-0
2. BUSHING: BRASS, NICKEL PLATED
3. SLEEVE: SPCC, NICKEL PLATED
4. SLEEVE SPRING: P.W.B.
5. TIP: P.B.S., SILVER PLATED
6. RING: P.B.S., SILVER PLATED
7. SHUNT TERMINALS: BSP, SILVER PLATED

NOTE:

ALSO AVAILABLE WITH THREE PINS ONLY AND THREAD AND Ø6MP05 NUT

NOW AVAILABLE WITH PC99 COLORED COLAR

CTP-J-310-LB	LIGHT BLUE
CTP-J-310-DB	DARK BLUE
CTP-J-310-PK	PINK
CTP-J-310-LG	LIGHT GREEN
CTP-J-310-DG	DARK GREEN
CTP-J-310-BK	BLACK
CTP-J-310-OR	ORANGE
CTP-J-310-BR	BROWN
CTP-J-310-DR	DARK RED

Phone 1-800-809-2751

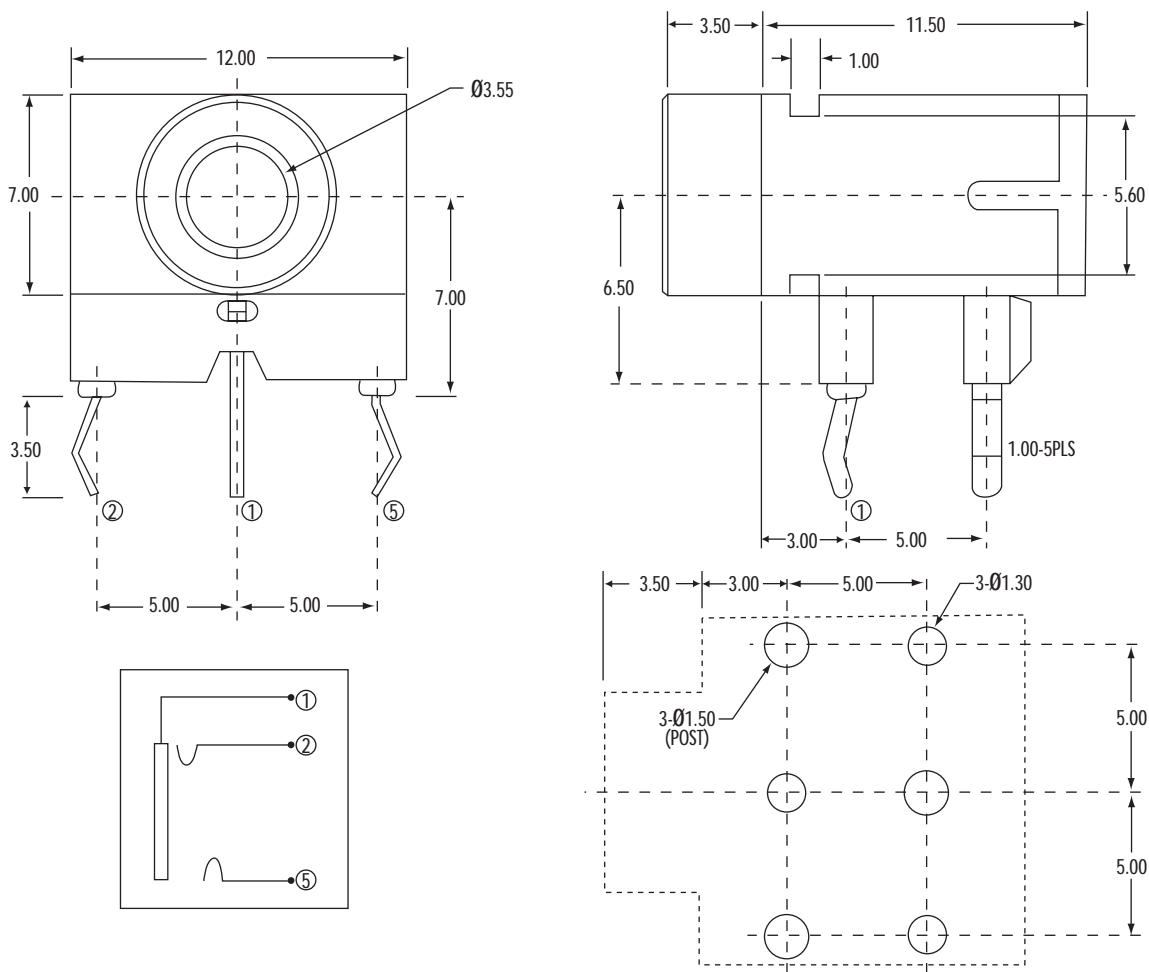


Fax 1-877-809-2751

www.connect-tech-products.com • info@connect-tech-products.com

2533 North Carson St., Ste 1370 • Carson City, NV 89706 • 775-883-0986 • Fax: 775-883-4874

J-312-3B



INSULATED BUSHING STEREO JACK

MATERIALS:
BODY: PBT, 94VO
TERMINALS: PBS, SILVER PLATED

Phone 1-800-809-2751

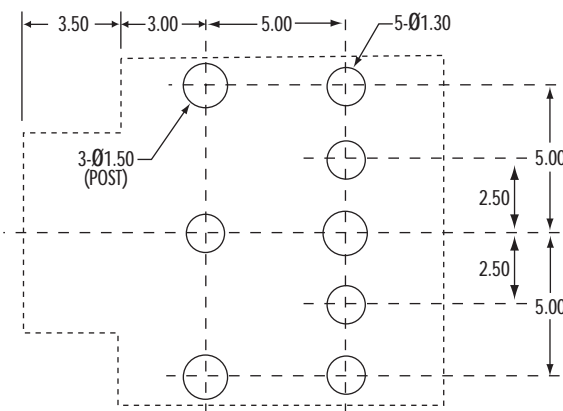
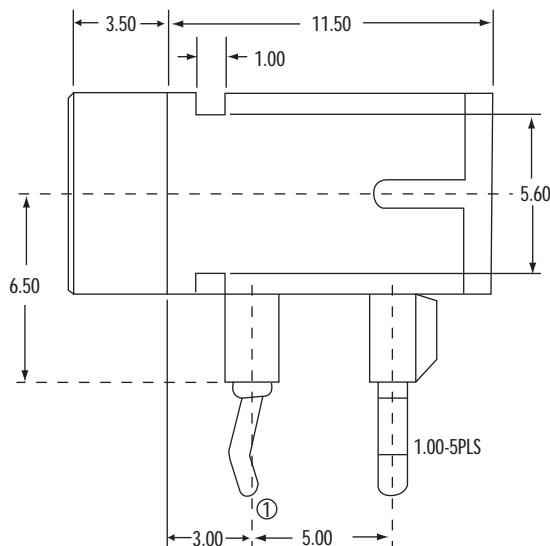
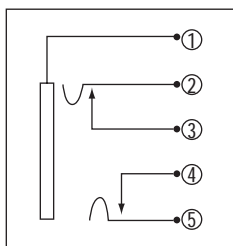
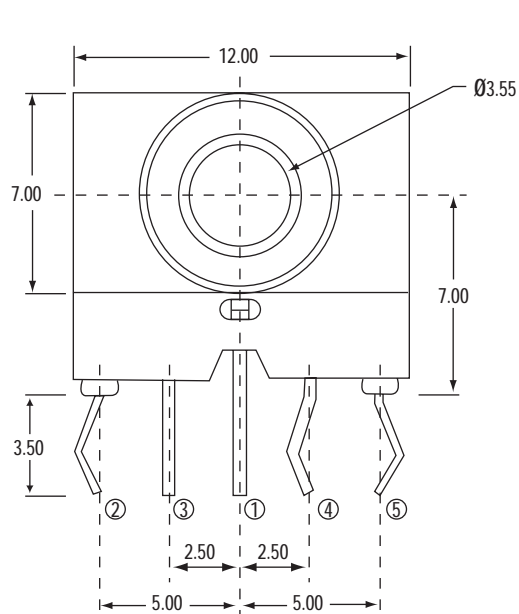


Fax 1-877-809-2751

www.connect-tech-products.com • info@connect-tech-products.com

2533 North Carson St., Ste 1370 • Carson City, NV 89706 • 775-883-0986 • Fax: 775-883-4874

J-312-5B



INSULATED BUSHING STEREO JACK

MATERIALS:
 BODY: PBT, 94VO
 TERMINALS: PBS, SILVER PLATED

Phone 1-800-809-2751

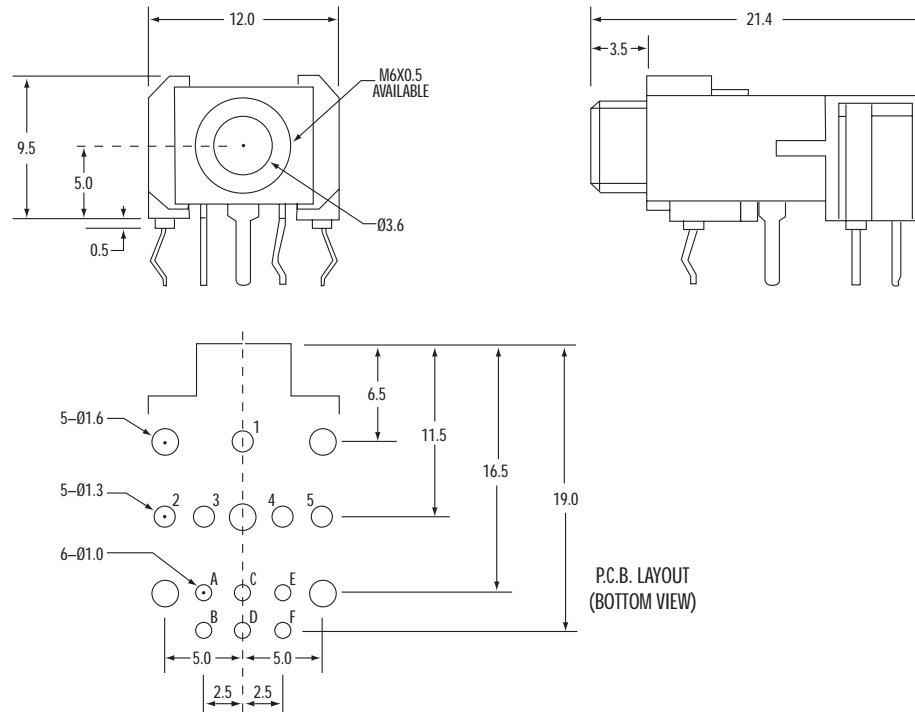


Fax 1-877-809-2751

www.connect-tech-products.com • info@connect-tech-products.com

2533 North Carson St., Ste 1370 • Carson City, NV 89706 • 755-883-0986 • Fax: 755-883-4874

J-312-D1 THROUGH D6



SCHEMATIC						
MODEL NUMBER	CTP-J312-D1	CTP-J312-D2	CTP-J312-D3	CTP-J312-D4	CTP-J312-D5	CTP-J312-D6

Phone 1-800-809-2751



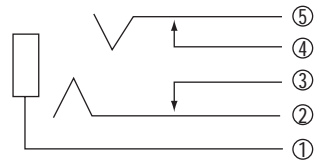
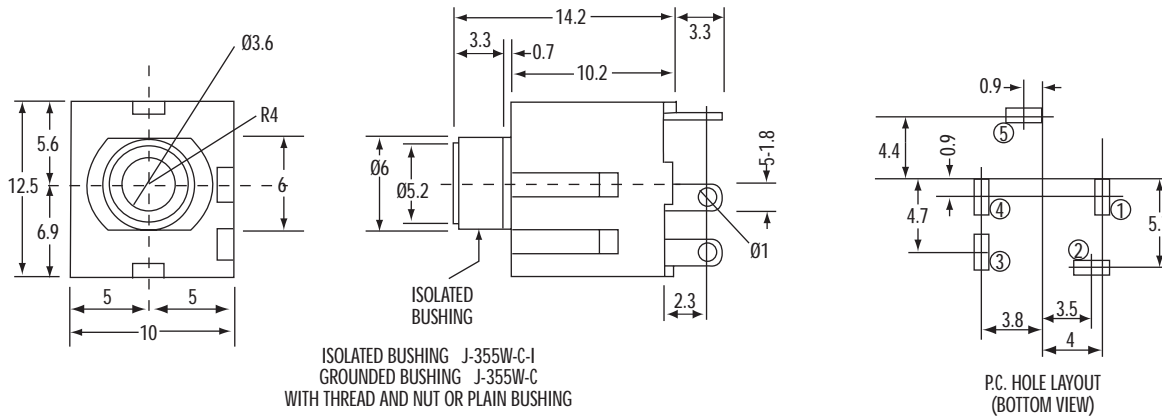
Fax 1-877-809-2751

www.connect-tech-products.com • info@connect-tech-products.com

2533 North Carson St., Ste 1370 • Carson City, NV 89706 • 755-883-0986 • Fax: 755-883-4874

J-355 W-C

3.5MM STEREO JACK WITH SWITCHES



PART NAME	MATERIAL	FINISH
BODY	P.C. +G15%	BLACK
METAL	BSBM2 Ø6	NI-3
EARTH TERMINAL	BSR-1/2H 0.3T	AG OVER NI
MAIN TERMINAL A	BSR-H 0.25T	AG OVER NI
MAIN TERMINAL B	BSR-H 0.25T	AG OVER NI
FIX TERMINAL A	BSR-1/2H 0.3T	AG OVER NI
FIX TERMINAL B	BSR-1/2H 0.3T	AG OVER NI
SPRING A	SUS-304	HEAT TREATED
SPRING B (NEW)	SUS-304	HEAT TREATED

Phone 1-800-809-2751



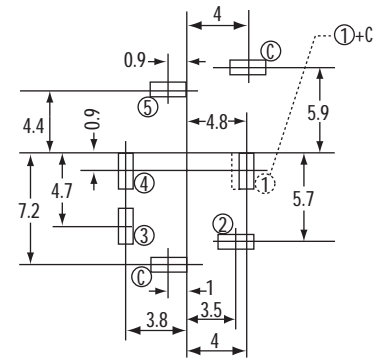
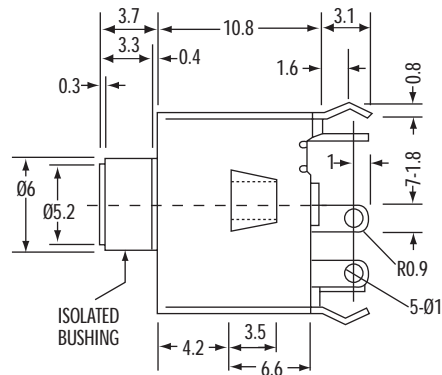
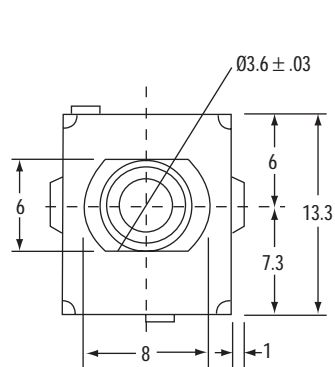
Fax 1-877-809-2751

www.connect-tech-products.com • info@connect-tech-products.com

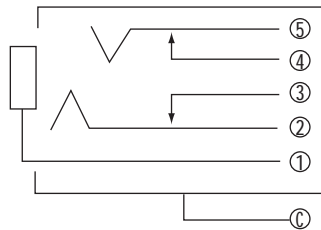
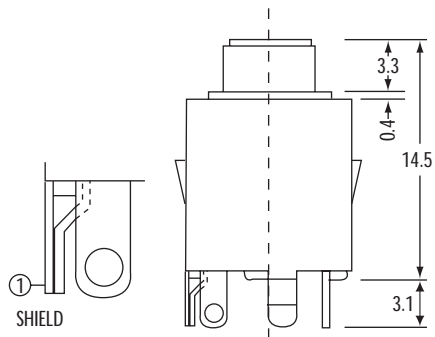
2533 North Carson St., Ste 1370 • Carson City, NV 89706 • 755-883-0986 • Fax: 755-883-4874

J-355 W-C-I

3.5mm STEREO JACK WITH SWITCHES AND SHIELD



P.C. HOLE LAYOUT
(BOTTOM VIEW)



PART NAME	MATERIAL	FINISH
BODY	P.C. +G15%	BLACK
METAL	BSR 0.3T	NI-3
SLEEVE CONTACT	BSR-1/2H 0.3T	AG OVER NI
RING CONTACT	BSR-H 0.25T	AG OVER NI
TIP CONTACT	BSR-H 0.25T	AG OVER NI
SWITCH LEAD FOR TIP C.	BSR-1/2H 0.3T	AG OVER NI
SWITCH LEAD FOR RING C.	BSR-1/2H 0.3T	AG OVER NI
SPRING COIL FOR TIP C.	SUS-304	HEAT TREATED
SPRING COIL FOR RING C.	SUS-304	HEAT TREATED
SHIELD CASE	BSR-1/2H 0.3T	AG OVER NI

Phone 1-800-809-2751



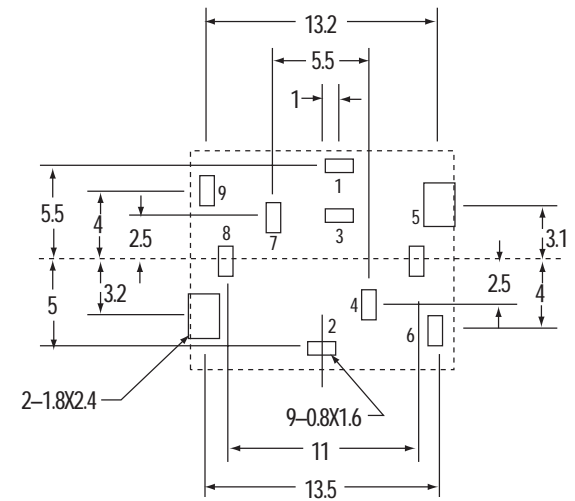
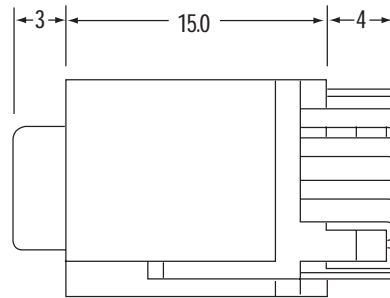
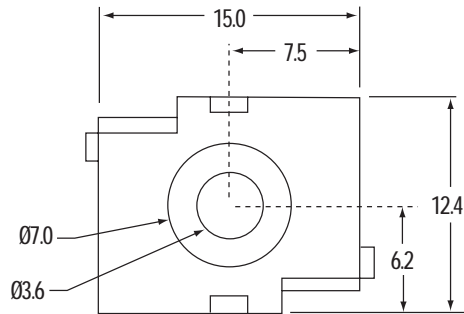
Fax 1-877-809-2751

www.connect-tech-products.com • info@connect-tech-products.com

2533 North Carson St., Ste 1370 • Carson City, NV 89706 • 755-883-0986 • Fax: 755-883-4874

CTP-35003-XX

CTP-35003-XX
3.5MM VERTICAL STEREO JACK



P.C.B. LAYOUT
(BOTTOM VIEW)

SCHEMATIC	35003-01	35003-02	35003-03	35003-04	35003-05	35003-06
MODEL CTP	35003-01	35003-02	35003-03	35003-04	35003-05	35003-06

Phone 1-800-809-2751

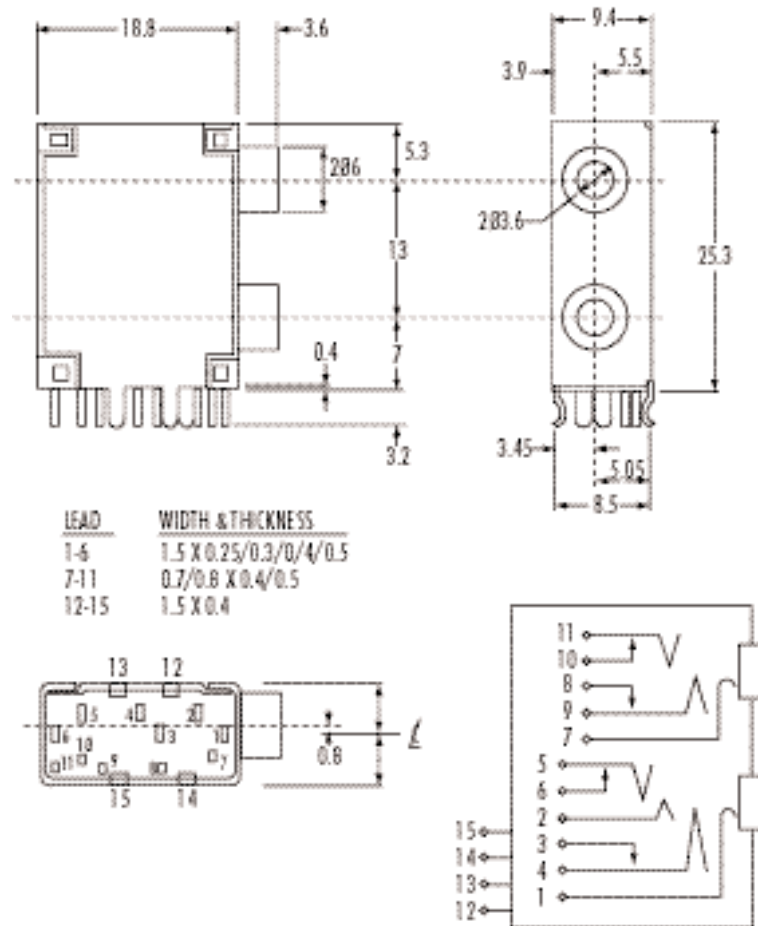


Fax 1-877-809-2751

www.connect-tech-products.com • info@connect-tech-products.com

2533 North Carson St., Ste 1370 • Carson City, NV 89706 • 775-883-0986 • Fax: 775-883-4874

CTP-J-0653



Phone 1-800-809-2751

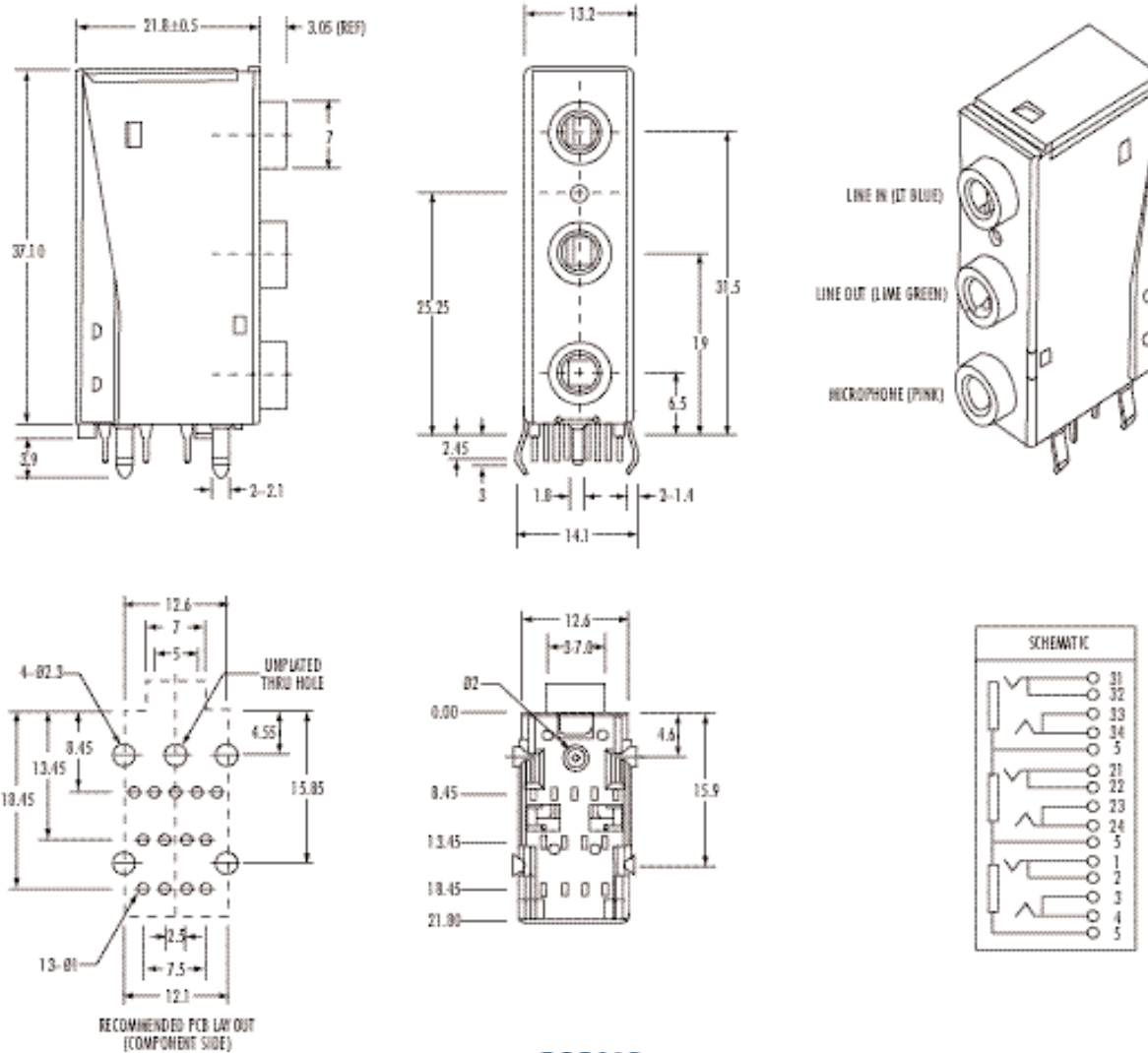


Fax 1-877-809-2751

www.connect-tech-products.com • info@connect-tech-products.com

2533 North Carson St., Ste 1370 • Carson City, NV 89706 • 775-883-0986 • Fax: 775-883-4874

CTP-JT-3503



Phone 1-800-809-2751



Fax 1-877-809-2751

www.connect-tech-products.com • info@connect-tech-products.com

2533 North Carson St., Ste 1370 • Carson City, NV 89706 • 775-883-0986 • Fax: 775-883-4874