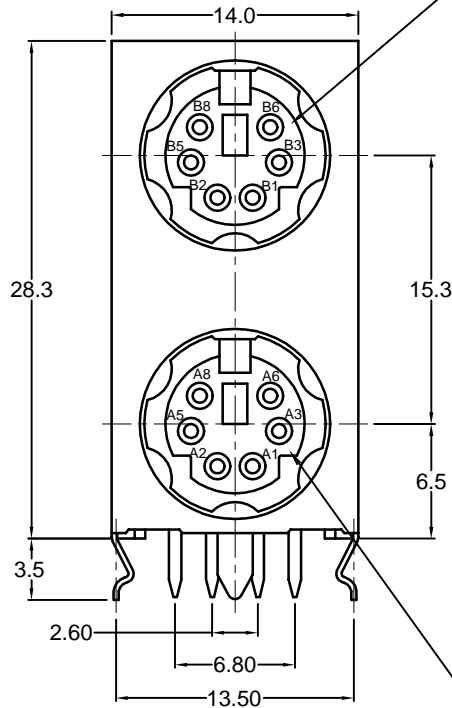
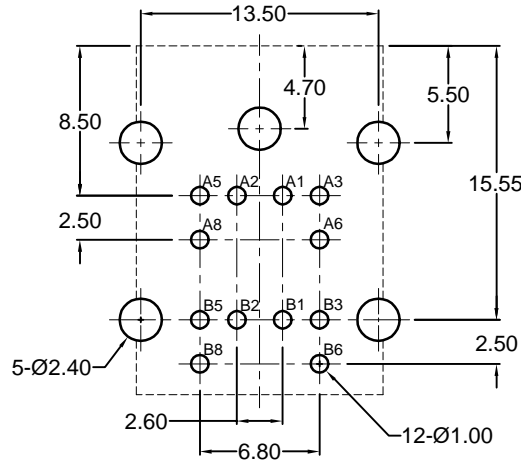
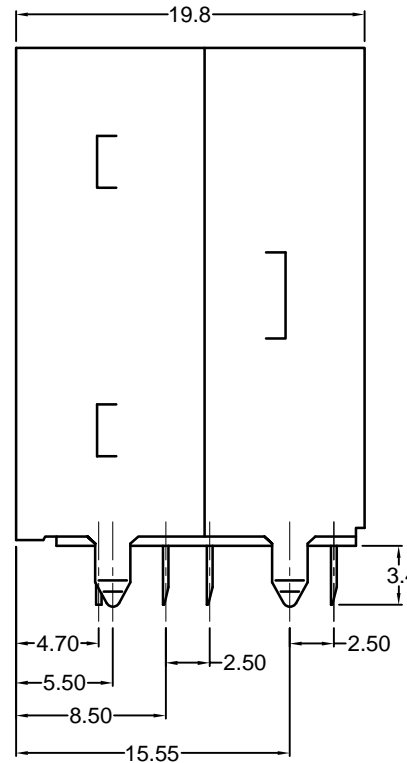
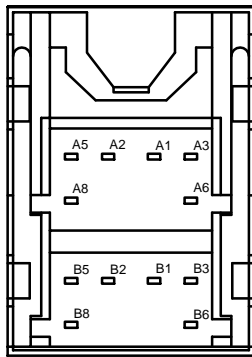


Insulator color: Green (Pantone 3395C)
(See PC99 spec)



Insulator color: Purple (Pantone 2715C)
(See PC99 spec)



Recommended PCB Layout
(Bottom View)

Material and Finish

Body: PBT Thermoplastic,
UL94V-0 Rated

Color:

Upper Socket: Pantone 3395C, Green
Lower Socket: Pantone 2715C, Purple
(To meet PC99 Spec)

Contacts: Phosphor Bronze
Gold Flash on Contacts,
Tin/Lead on Termination

Shield: Brass, Tin plated

Electrical Characteristics

Contact Resistance:

Before Test:
Plug to Terminals: 30 Milliohms Max.

After Test:
Plug to Terminals: 60 Milliohms Max.

Insulation Resistance:
500 Megohms Min.

Dielectric Withstanding Voltage:
500V AC RMS For 1 Minute

Current Rating:
2 Amps at 12V DC

Mechanical Characteristics

Durability Test: 500 Cycles Min.

Insertion Force: 4.5kg max.

Extraction Force: 0.4kg - 3.5kg

Operating Temperature: -25°C to +85°C

Tolerances

X.X ± 0.35
X.XX ± 0.25
Unless Stated
Otherwise



REVISION	DATE	DESCRIPTION	DRAWN BY	CHECKED BY	UNITS
A4	4/6/00	Modify Current	M. Yiu	K. Wallace	mm
A5	4/19/01	Ref ECO 01-073	CHECKED BY	REV CHECK BY	DATE
A6	5/21/03	Ref ECO 02-062	C. Leiva	T. Gokcek	6/23/99

KMDG-6SG/P-S4N

Stacked Mini-Din, 6/6, PC99

Fully Shielded, Gold Contacts

