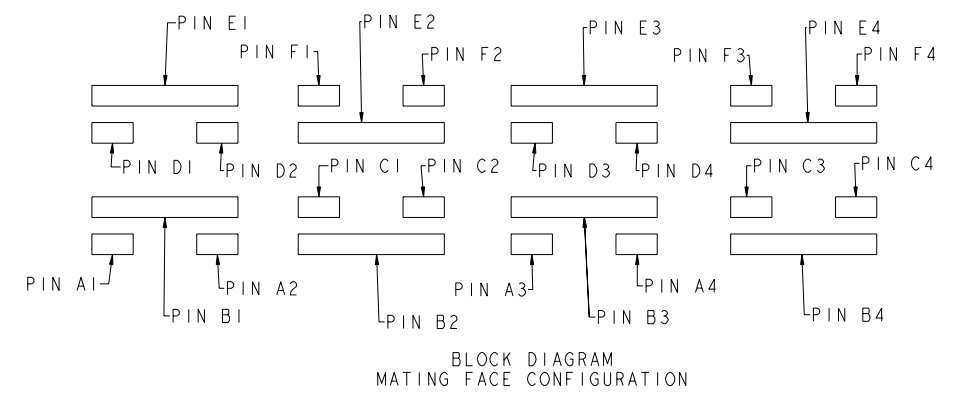
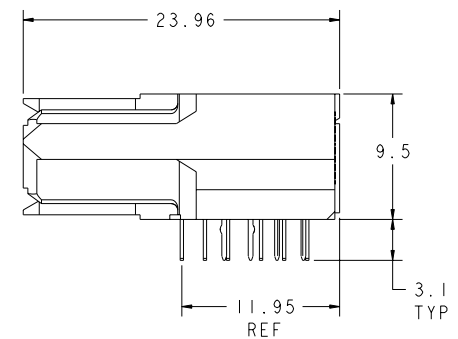
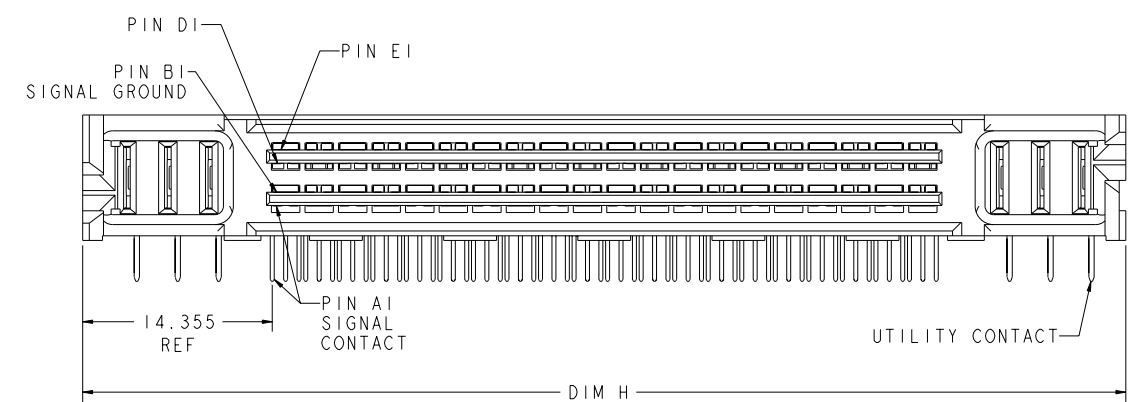
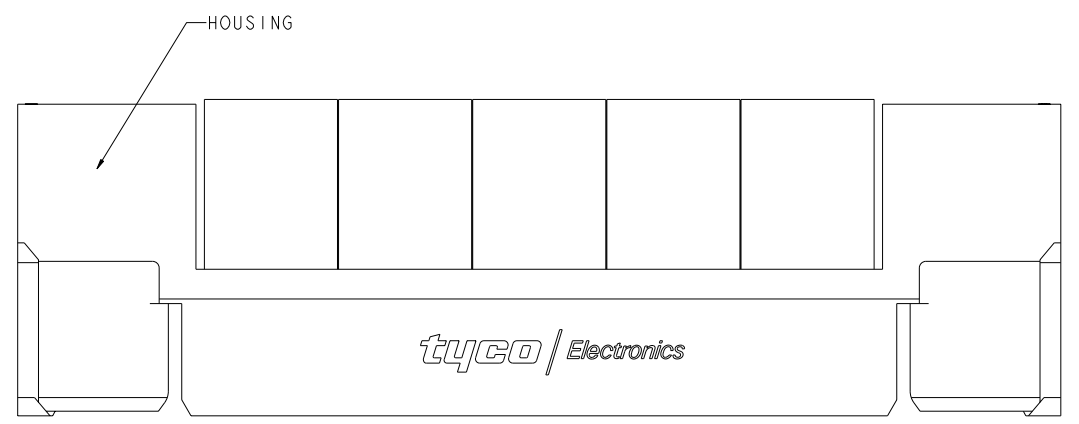


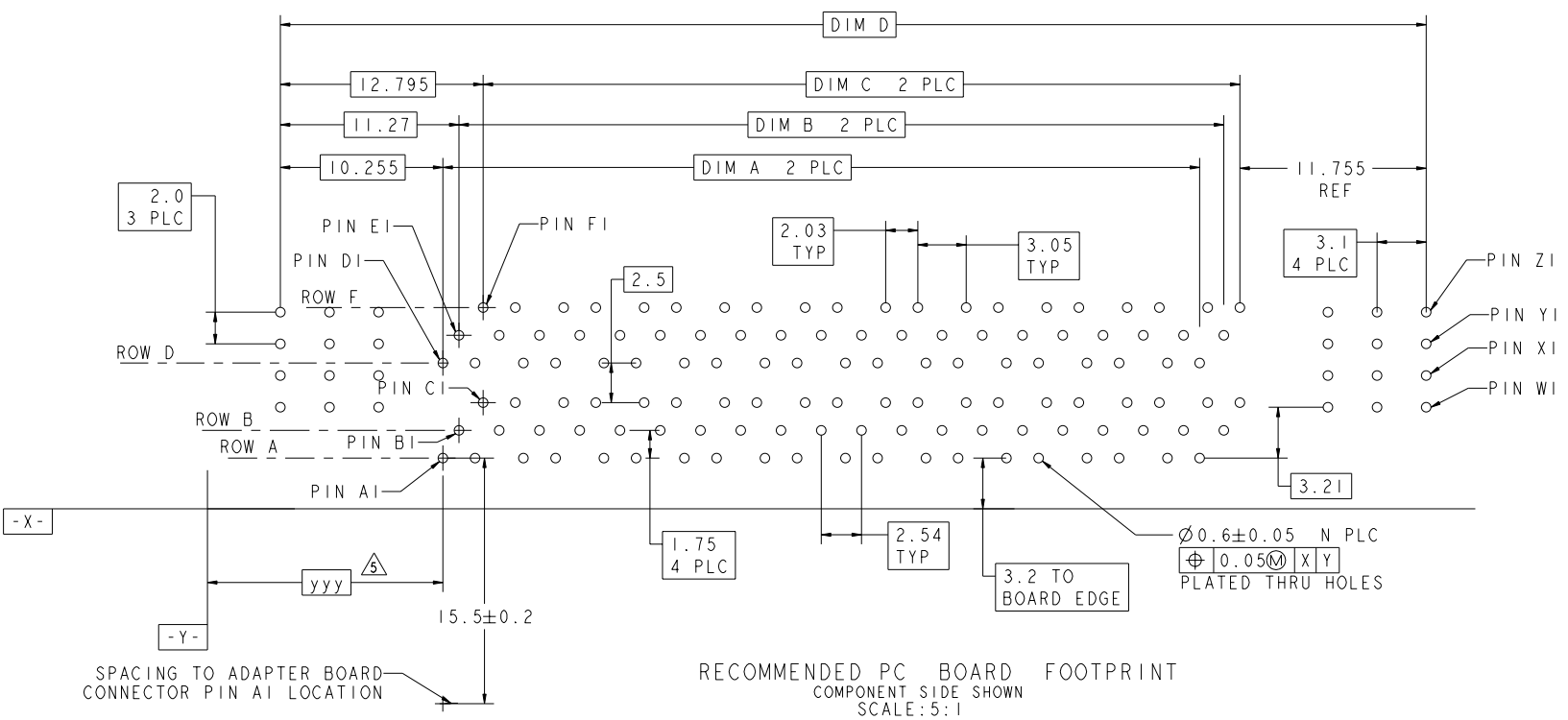
△ HOUSINGS: POLYESTER, NATURAL
 SIGNAL AND SIGNAL GROUND CONTACTS: COPPER ALLOY
 UTILITY CONTACTS: PHOSPHOR BRONZE

△ UTILITY CONTACTS: 1.27um MIN GOLD IN CONTACT AREA,
 1.27um MIN TIN-LEAD ON PCB TAILS, OVER 1.27um MIN NICKEL OVER ALL.
 SIGNAL AND SIGNAL GROUND CONTACTS: 0.76um MIN GOLD IN CONTACT AREA,
 2.54um MIN TIN-LEAD ON PCB TAILS, OVER 1.27um MIN NICKEL OVER ALL.

3. ROWS A, C, D, AND F ARE SIGNAL CONTACTS. ROWS B AND E ARE SIGNAL GROUND CONTACTS.
 △ CONNECTOR SIZE CAN ACCOMMODATE INDICATED QUANTITY OF DIFFERENTIAL PAIRS.
 △ DIMENSIONS PER CUSTOMER BOARD LAYOUT.



THIS PRINT IS
PRELIMINARY
 UNQUALIFIED PRODUCT
 CONTACT PRODUCT ENGINEERING
 BEFORE USING THIS PRINT



240	119.64	112.94	88.90	88.39	72	1367550-9
216	109.48	102.78	78.74	78.23	64	1367550-8
192	99.32	92.62	68.58	68.07	56	1367550-7
168	89.16	82.46	58.42	57.91	48	1367550-6
144	79.00	72.30	48.26	47.75	40	1367550-5
120	68.84	62.14	38.10	37.59	32	1367550-4
96	58.68	51.98	27.94	27.43	24	1367550-3
72	48.52	41.82	17.78	17.27	16	1367550-2
48	38.36	31.66	7.62	7.11	8	1367550-1
N	H DIM	D DIM	B DIM	A OR C DIM	DIFF PAIRS △	PART NUMBER

DIMENSIONS: mm		TOLERANCES UNLESS OTHERWISE SPECIFIED:		DRAWN: J. MILLER 13NOV02		Tyco Electronics	
0 PLC ±0.3		1 PLC ±0.25		CHK: N. REESER 14NOV02		Harrisburg, PA 17105-3608	
2 PLC ±0.25		3 PLC ±0.25		APPD: N. REESER 14NOV02		NAME: Z-DOK+ HOST BOARD CONNECTOR ASSEMBLY, 8-72 SIGNAL DIFF. PAIR, 3 UTILITY CONTACTS PER SIDE	
4 PLC ±0.25		ANGLES ±0.1		APPLICATION SPEC:		SIZE: A CASE CODE: 00779 DRAWING NO: 1367550	
MATERIAL: △		FINISH: △		WEIGHT:		RESTRICTED TO: RESTRICTED CUSTOMER	
				SCALE: 4:1		SHEET 1 OF 1 REV 4	