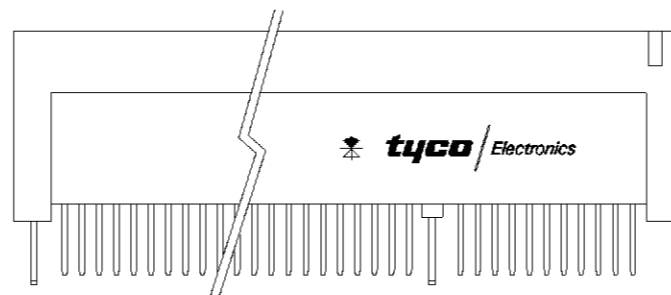
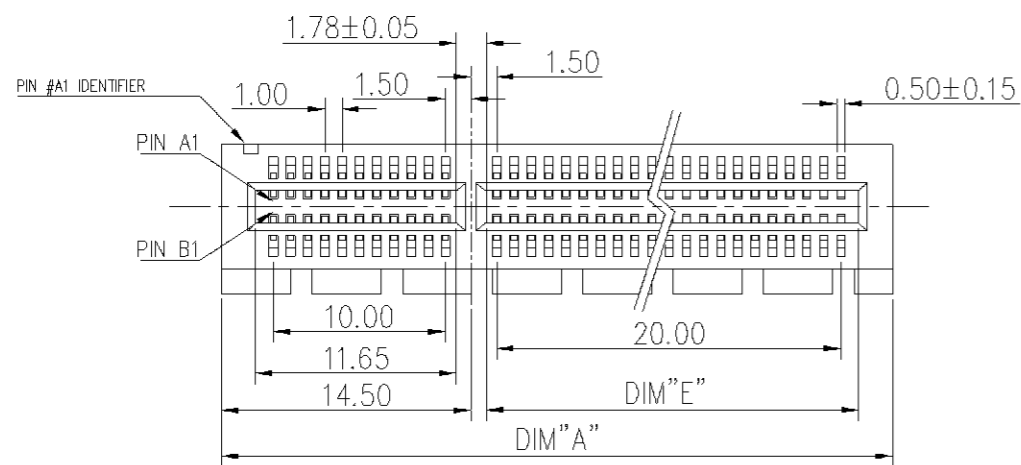
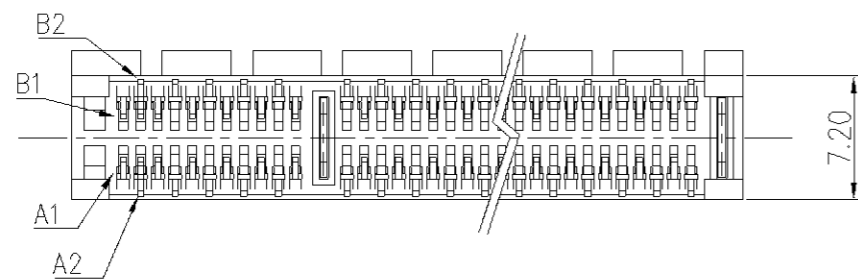
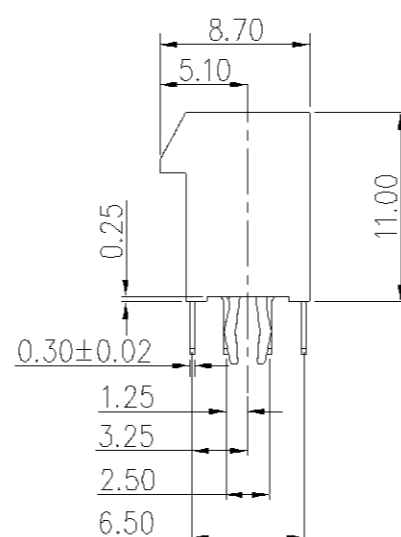
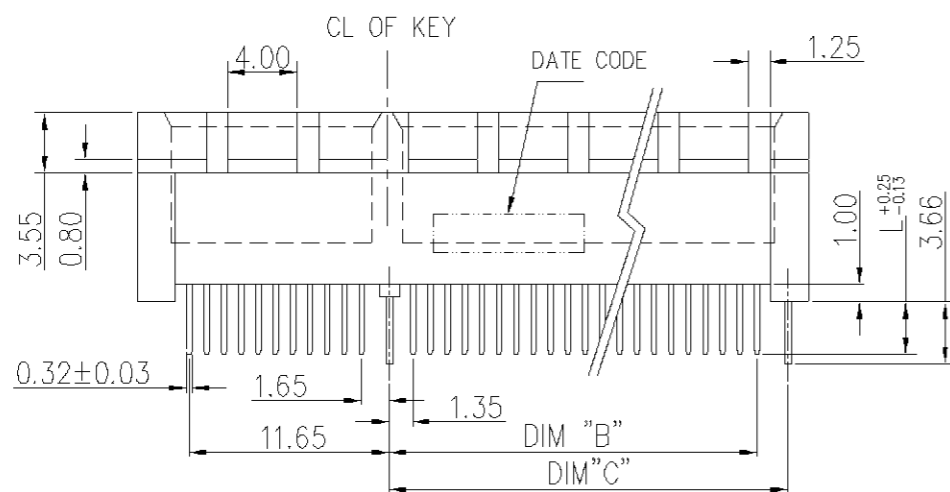


THIS INFORMATION IS CONFIDENTIAL AND IS DISCLOSED TO YOU ON CONDITION THAT NO FURTHER DISCLOSURE IS MADE BY YOU TO OTHER THAN AMP PERSONNEL WITHOUT WRITTEN AUTHORIZATION FROM AMP (TAIWAN) LTD.
 DIMENSIONS IN MILLIMETERS. DO NOT SCALE PRINT.



BACK VIEW



NOTE:

- 1.MATERIAL:
 - 1.1 HOUSING: THERMOPLASTIC HIGH TEMP.,UL 94V-0, BLACK COLOR
 - 1.2 CONTACT: PHOSPHOR BRONZE
 - 1.3 BOARDLOCK: BRASS
- 2.FINISH:
 - 2.1 CONTACT: GOLD PLATING ON THE CONTACT AREA,(SEE TABLE)
 100u" MIN. TIN PLATING ON SOLDER TAIL AREA
 50u" MIN. NICKEL UNDERPLATED OVERALL
 - 2.2 BOARDLOCK: 100u" MIN. TIN PLATING
 50u" MIN. NICKEL UNDERPLATING OVERALL
- 3.WEIGHT:
 - 36POS. : 2.2g/PCS
 - 64POS. : 3.3g/PCS
 - 98POS. : 4.8g/PCS
 - 164POS. : 7.8g/PCS

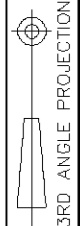
DIM E	DIM D	DIM C	DIM B	DIM A	POS.	DIM L	GOLD PLATING	POS.	PART NUMBER
71.65	70.0	73.15	71.35	89.0	164	3.10	30u"	4-	-6
							15u"	4-	-5
							G/F	4-	-4
						2.30	30u"	4-	-3
							15u"	4-	-2
							G/F	4-	-1
						3.10	30u"	3-	-6
							15u"	3-	-5
							G/F	3-	-4
						2.30	30u"	3-	-3
							15u"	3-	-2
							G/F	3-	-1
						3.10	30u"	2-	-6
							15u"	2-	-5
							G/F	2-	-4
						2.30	30u"	2-	-3
							15u"	2-	-2
							G/F	2-	-1
						3.10	30u"	1-	-6
							15u"	1-	-5
							G/F	1-	-4
						2.30	30u"	1-	-3
							15u"	1-	-2
							G/F	1-	-1
									1-1775801-1

TOLERANCES UNLESS OTHERWISE SPECIFIED: 0 PLC ± 0.4 1 PLC ± 0.3 2 PLC ± 0.2 ANGLES ± 2'		DWN S. HOU 19-JUL-2004	tyco Electronics TYCO HOLDINGS (BERMUDA) VII LTD. TAIWAN BRANCH
MATERIAL SEE NOTE		CHK W. J. KE 19-JUL-2004	
FINISH SEE NOTE		APVD W. J. KE 19-JUL-2004	PCI EXPRESS CARD EDGE VERTICAL CONNECTOR
		PRODUCT SPEC 108-57375	
		APPLICATION SPEC -	LOC SIZE DRAWING NO REV DW A ₃ C-1775801 A
		WEIGHT	SCALE SHEET -- 1 OF 3

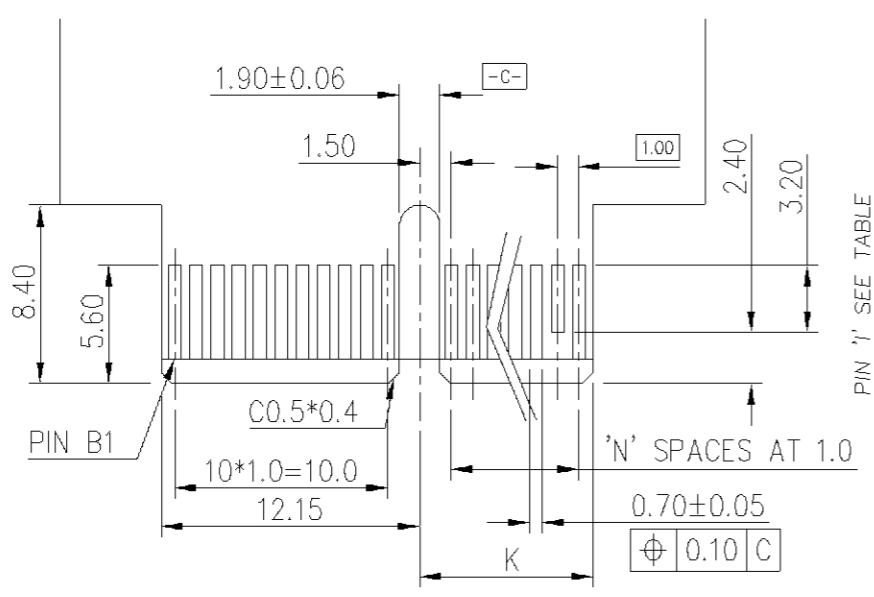
A	REVISED	FZ00-0161-04	SH WK	19JUL 2004
O	FIRST RELEASED	FZ00-0072-04	SH WK	05MAY 2004
LTR	REVISION RECORD	ECN	DWN CHK	DATE

THIS INFORMATION IS CONFIDENTIAL AND IS DISCLOSED TO YOU ON CONDITION THAT NO FURTHER DISCLOSURE IS MADE BY YOU TO OTHER THAN AMP PERSONNEL WITHOUT WRITTEN AUTHORIZATION FROM AMP (TAIWAN) LTD. DIMENSIONS IN MILLIMETERS. DO NOT SCALE PRINT.

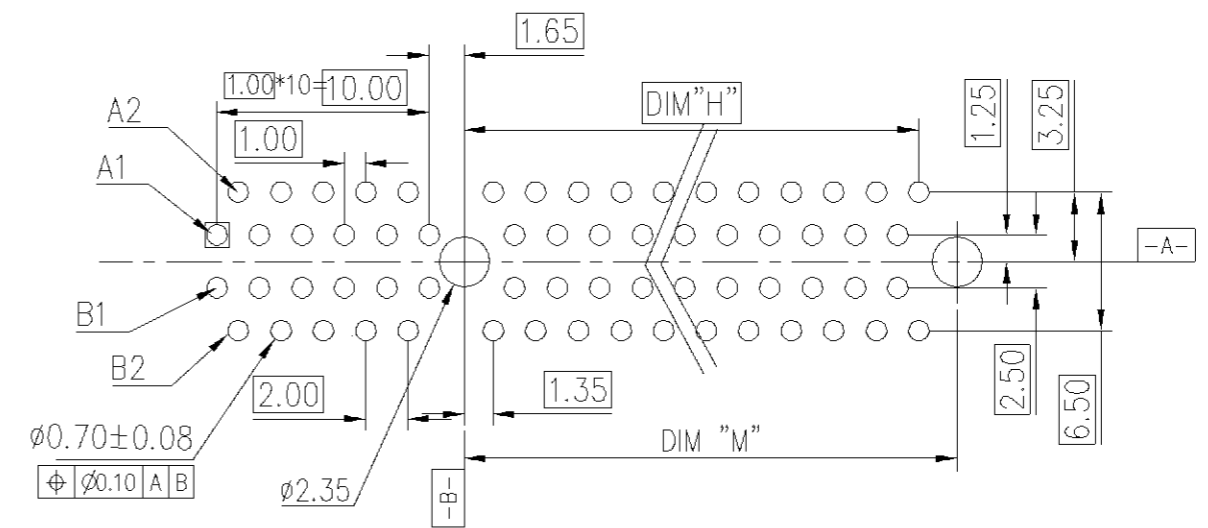
METRIC



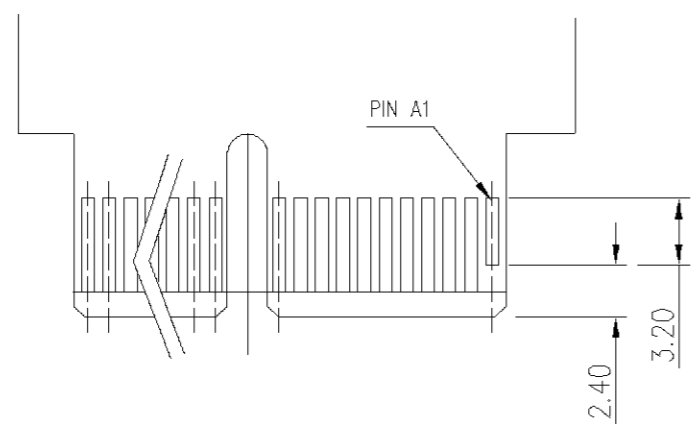
NUMBER
C-1775801



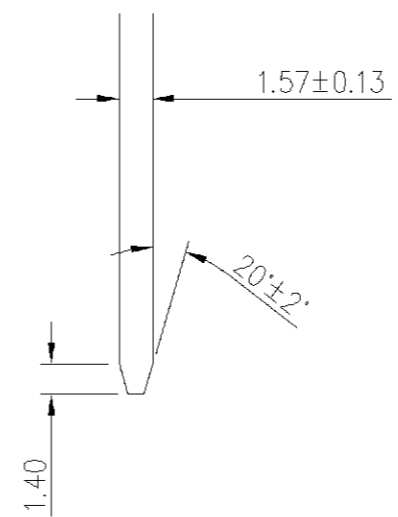
PRIMARY (COMPONENT) SIDE



PCB LAYOUT (TOL ±0.05)



SECONDARY (SOLDER) SIDE



MAME	N	DIM K	DIM M	DIM H	I
36PIN	6	8.15	9.15	7.35	B17
64PIN	20	22.15	23.15	21.35	B17,B31
98PIN	37	39.15	40.15	38.35	B17,B31,B48
164PIN	70	72.15	73.15	71.35	B17,B31,B48,B81

TOLERANCES UNLESS OTHERWISE SPECIFIED: 0 PLC ±0.4 1 PLC ±0.3 2 PLC ±0.2 ANGLES ±2'	DWN	S. HOU 19-JUL-2004	tyco TYCO HOLDINGS (BERMUDA) Electronics VII LTD. TAIWAN BRANCH		
	CHK	W. J. KE 19-JUL-2004			
MATERIAL	APVD	W. J. KE 19-JUL-2004	NAME		
SEE NOTE	PRODUCT SPEC	-	PCI EXPRESS CARD EDGE VERTICAL CONNECTOR		
FINISH	APPLICATION SPEC	-	LOC	SIZE	DRAWING NO
SEE NOTE	WEIGHT	-	DW	A ₃	C-1775801
			SCALE	REV	
			--	A	
			SHEET		
			2 OF 3		

SEE SHEET 1	REVISION RECORD	ECN	DWN	CHK	DATE
-------------	-----------------	-----	-----	-----	------

NUMBER
C-1775801

3RD ANGLE PROJECTION

METRIC

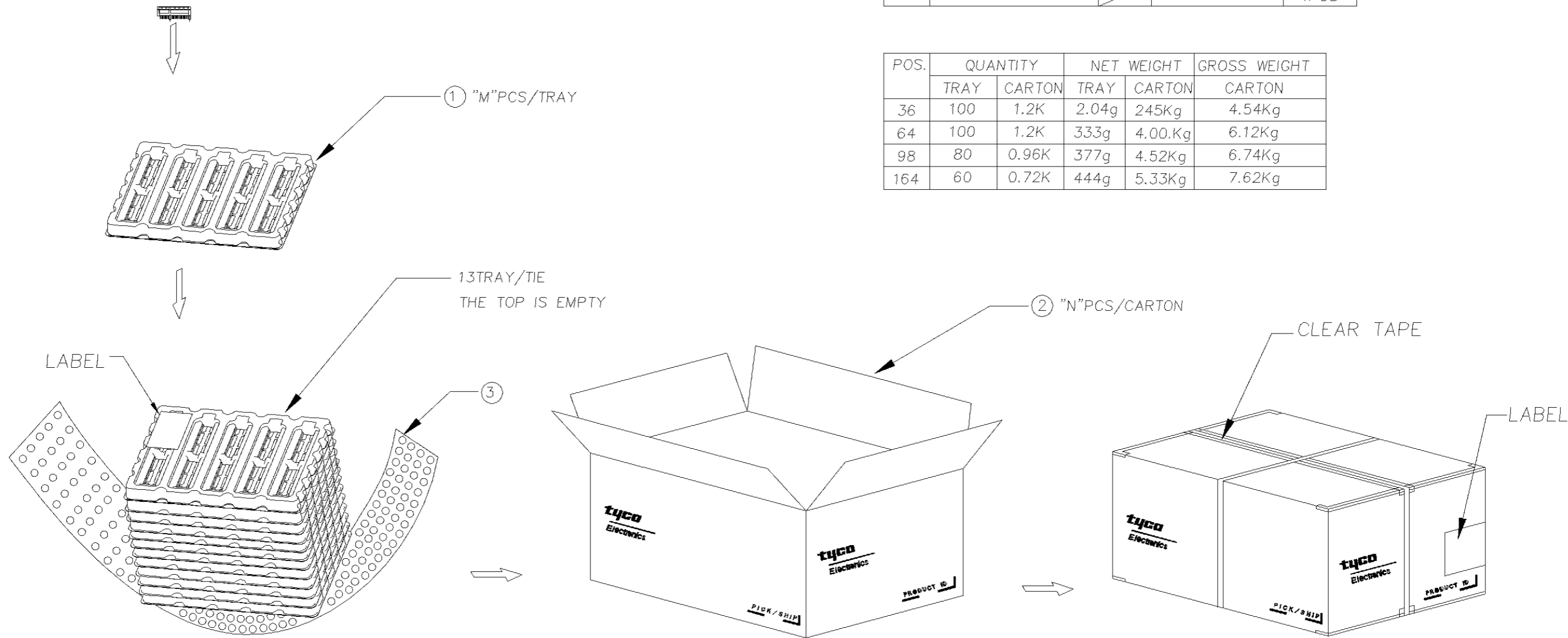
THIS INFORMATION IS CONFIDENTIAL AND IS DISCLOSED TO YOU ON CONDITION THAT NO FURTHER DISCLOSURE IS MADE BY YOU TO OTHER THAN AMP PERSONNEL WITHOUT WRITTEN AUTHORIZATION FROM AMP (TAIWAN) LTD.
DIMENSIONS IN MILLIMETERS. DO NOT SCALE PRINT.

PRINT DIST
DW

NOTES:
1.BOM

ITEM	DESCRIPTION	POS.	SPEC	QTY
1	TRAY	36	361*258*25	13PCS
		64	351*258*25	
		98	352*258*25	
		164	353*258*25	
2	SHIPPING CARTON	36	366*273*250	1PCS
3	AIR CAP SHEET		1250*300*3	1PCS

POS.	QUANTITY		NET WEIGHT		GROSS WEIGHT
	TRAY	CARTON	TRAY	CARTON	CARTON
36	100	1.2K	2.04g	245Kg	4.54Kg
64	100	1.2K	333g	4.00.Kg	6.12Kg
98	80	0.96K	377g	4.52Kg	6.74Kg
164	60	0.72K	444g	5.33Kg	7.62Kg



TOLERANCES UNLESS OTHERWISE SPECIFIED: 0 PLC ±0.4 1 PLC ±0.3 2 PLC ±0.2 ANGLES ±2'		DWN S. HOU 19-JUL-2004	tyco Electronics TYCO HOLDINGS (BERMUDA) VII LTD. TAIWAN BRANCH
MATERIAL SEE NOTE		CHK W. J. KE 19-JUL-2004	
FINISH SEE NOTE		APVD W. J. KE 19-JUL-2004	NAME PCI EXPRESS CARD EDGE VERTICAL CONNECTOR
		APPLICATION SPEC -	LOC SIZE DRAWING NO DW A ₃ C-1775801
		WEIGHT	REV A
			SCALE SHEET -- 3 OF 3

	SEE SHEET 1			
LTR	REVISION RECORD	ECN	DWN CHK	DATE

8 | 7 | 6 | 5 | 4 | 3 | 2 | 1
CUSTOMER DRAWING