

DESCRIPTION: 15 POS HIGH DENSITY OVER (2) PS/2

SPECIFICATIONS:

ELECTRICAL CHARACTERISTICS:

- Contact Current Rating: 3 Amperes
- Dielectric Withstanding Voltage: AC 1000V/60 sec. r.m.s.
- Insulation Resistance: 5000 Megohms Minimum DC 500
- Contact Resistance: 25 Milliohms Maximum
- Operating Temperature: -55° to +105°

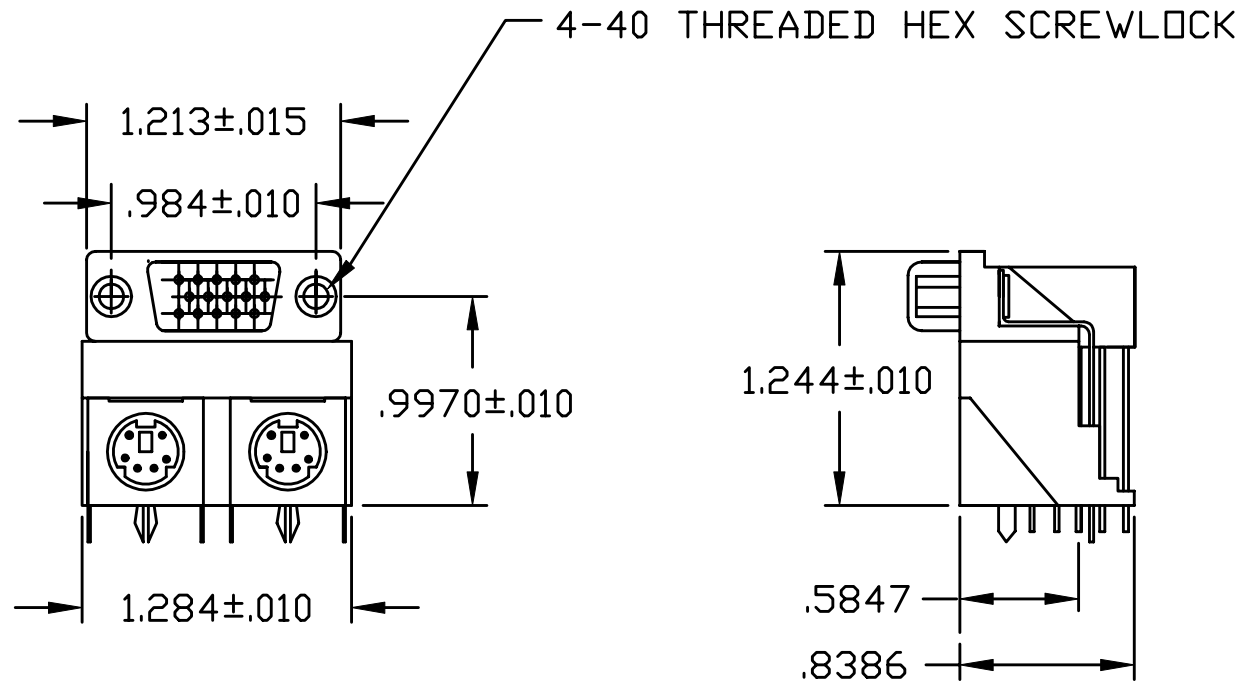
MATERIALS:


- Contacts: Brass
- Insulator: PBT UL 94V-0
 - High Density D-sub = Blue
 - Mini-Din = Left Port = Purple
 - Right Port = Green

Shell: Cold Roll Steel

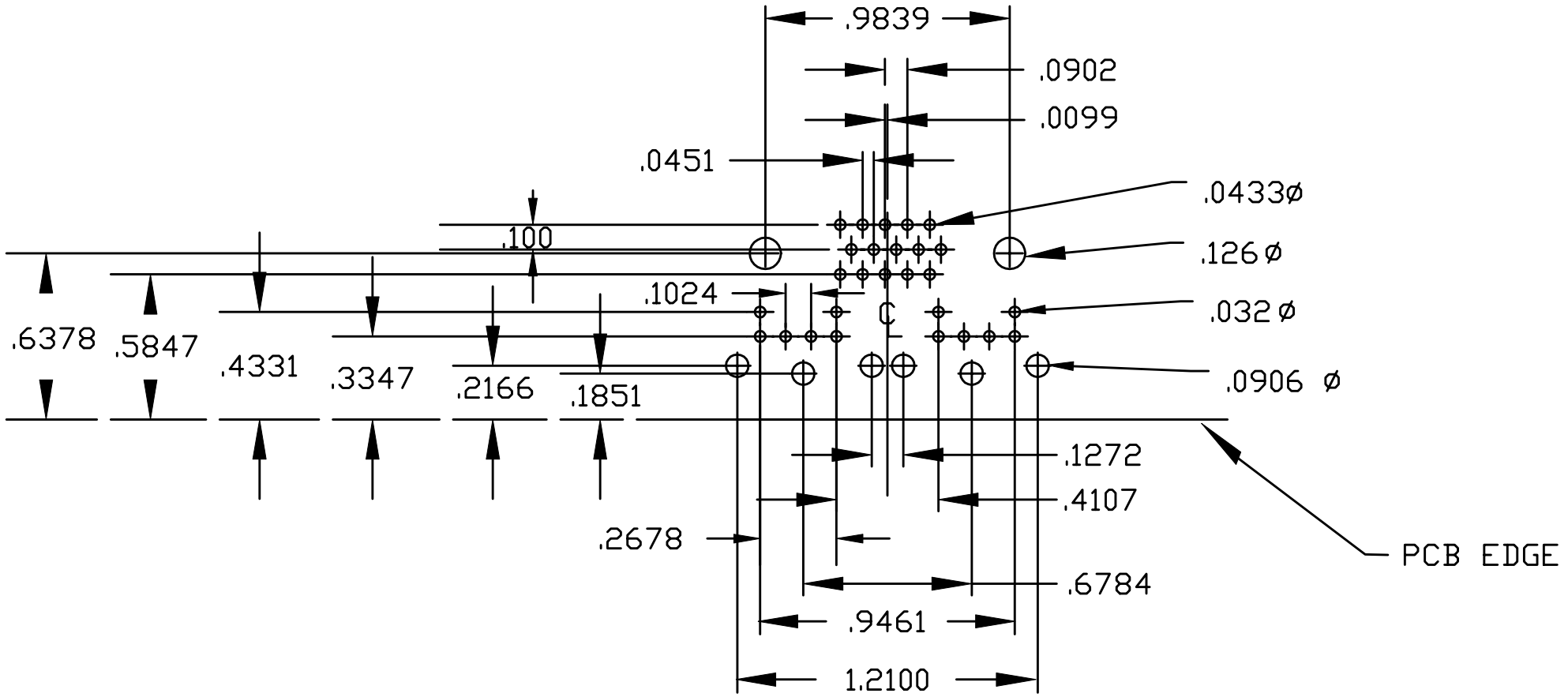
PLATINGS:


- Contacts: Gold Flash
- Shells: Nickel Plated



	THESE DRAWINGS AND SPECIFICATIONS ARE THE PROPERTY OF NorComp AND SHALL NOT BE REPRODUCED, COPIED OR USED AS THE BASIS FOR THE MANUFACTURE OF SALE OF APPARATUS WITHOUT WRITTEN PERMISSION.		DRAWN: PAM JENKINS	DATE: 4-30-01
			CHECKED:	DATE:
<h1>NorComp</h1>		SCALE:	SHEET 1 OF 2	REV 1
		DWG NO. 999-H15-PS2-571		

DESCRIPTION: Footprint for High Rise PS/2



	THESE DRAWINGS AND SPECIFICATIONS ARE THE PROPERTY OF NorComp AND SHALL NOT BE REPRODUCED, COPIED OR USED AS THE BASIS FOR THE MANUFACTURE OF SALE OF APPARATUS WITHOUT WRITTEN PERMISSION.		DRAWN: PAM JENKINS	DATE: 4-25-01
	<h1>NorComp</h1>		CHECKED:	DATE:
SCALE:			SHEET 2 OF 2	REV 3
DWG NO. 999-H15-PS2-491				