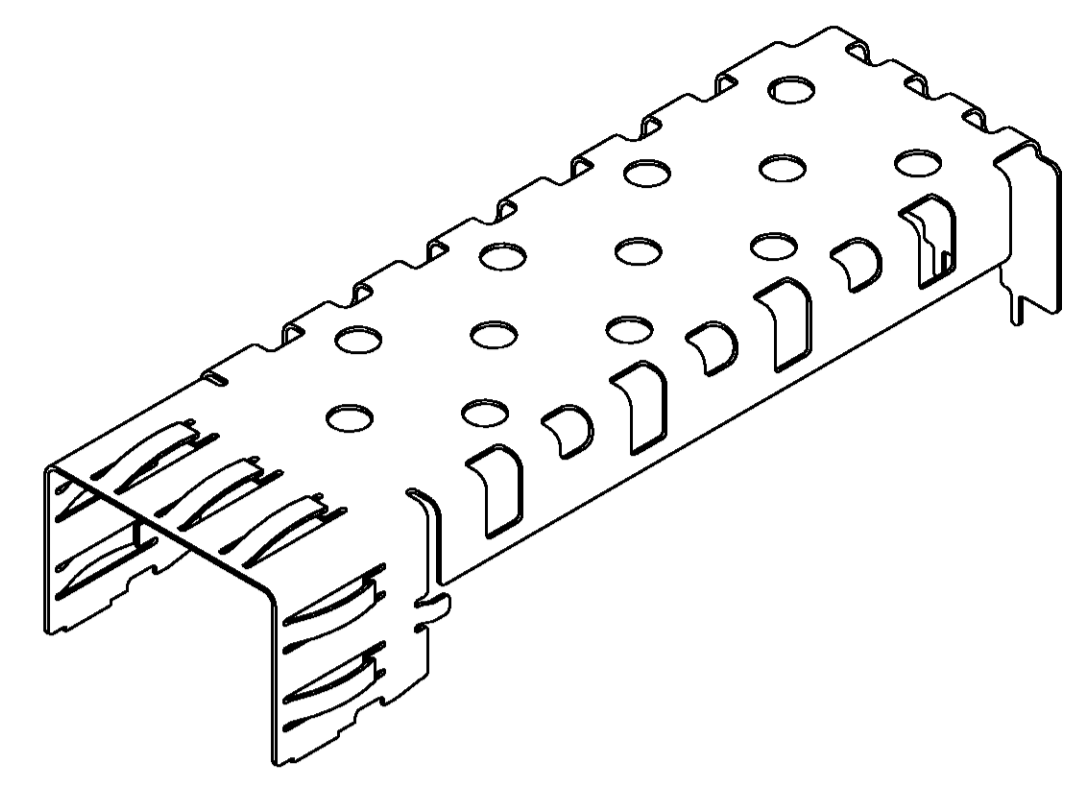


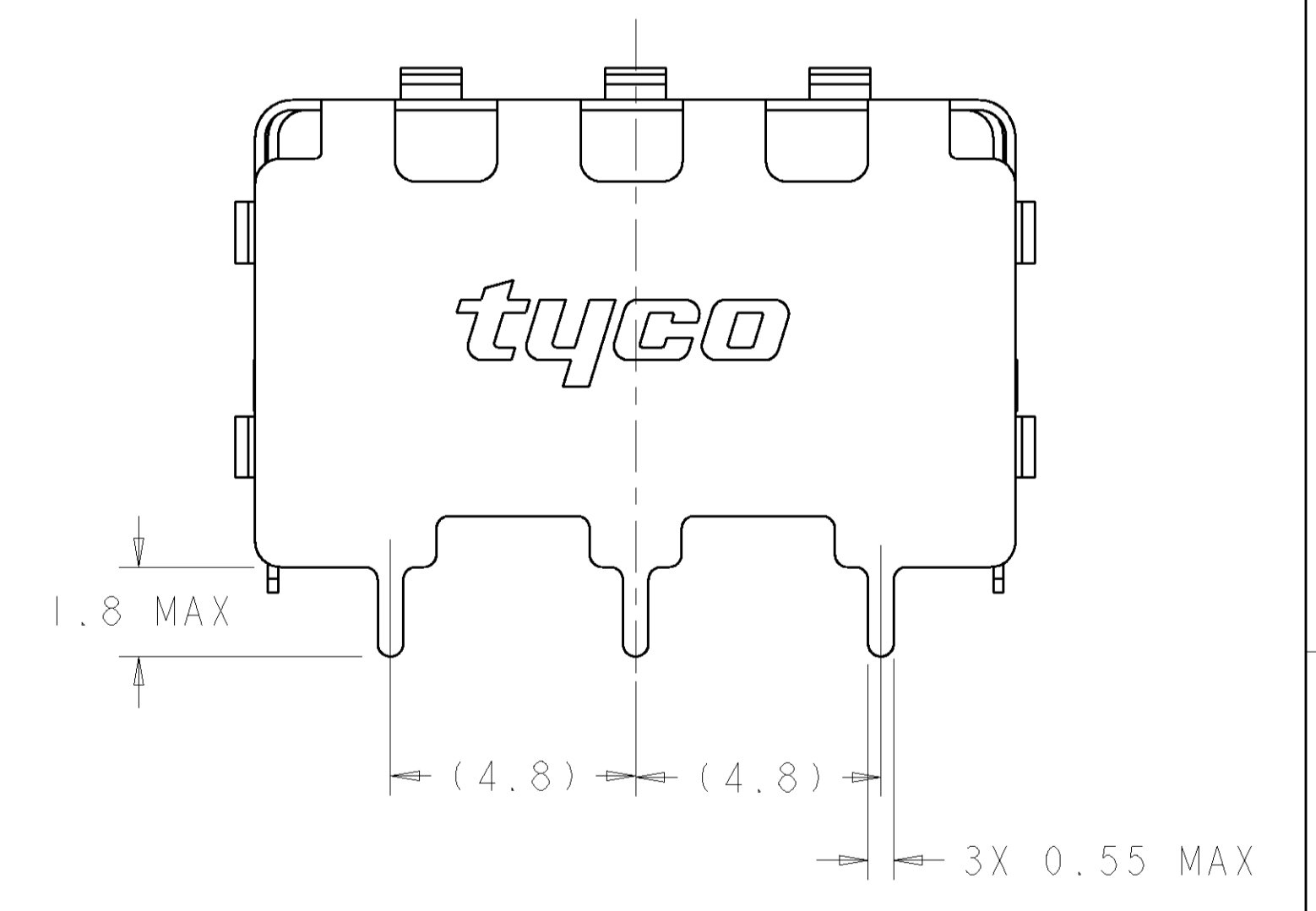
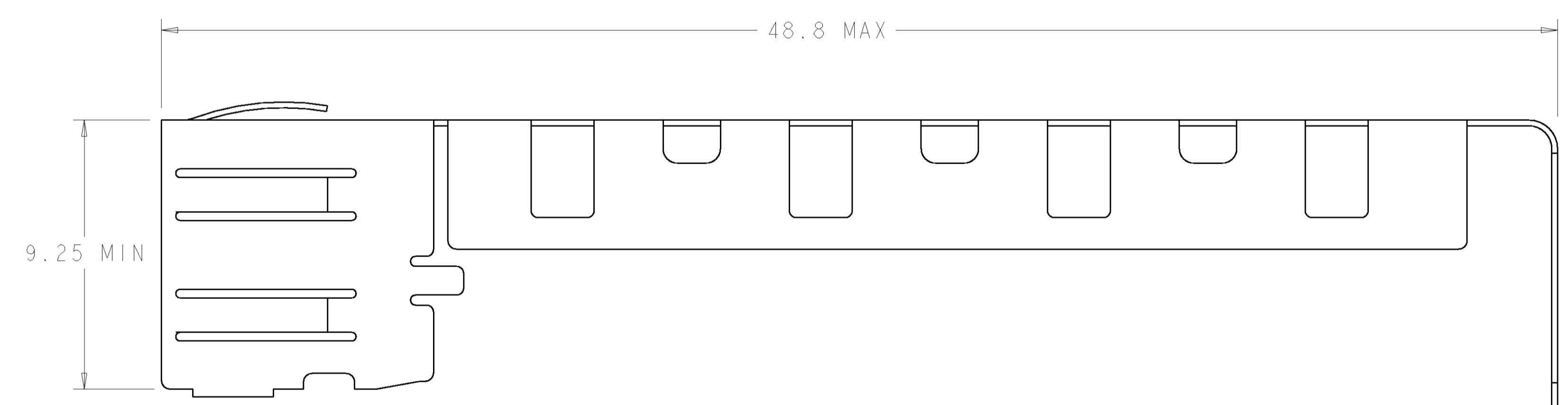
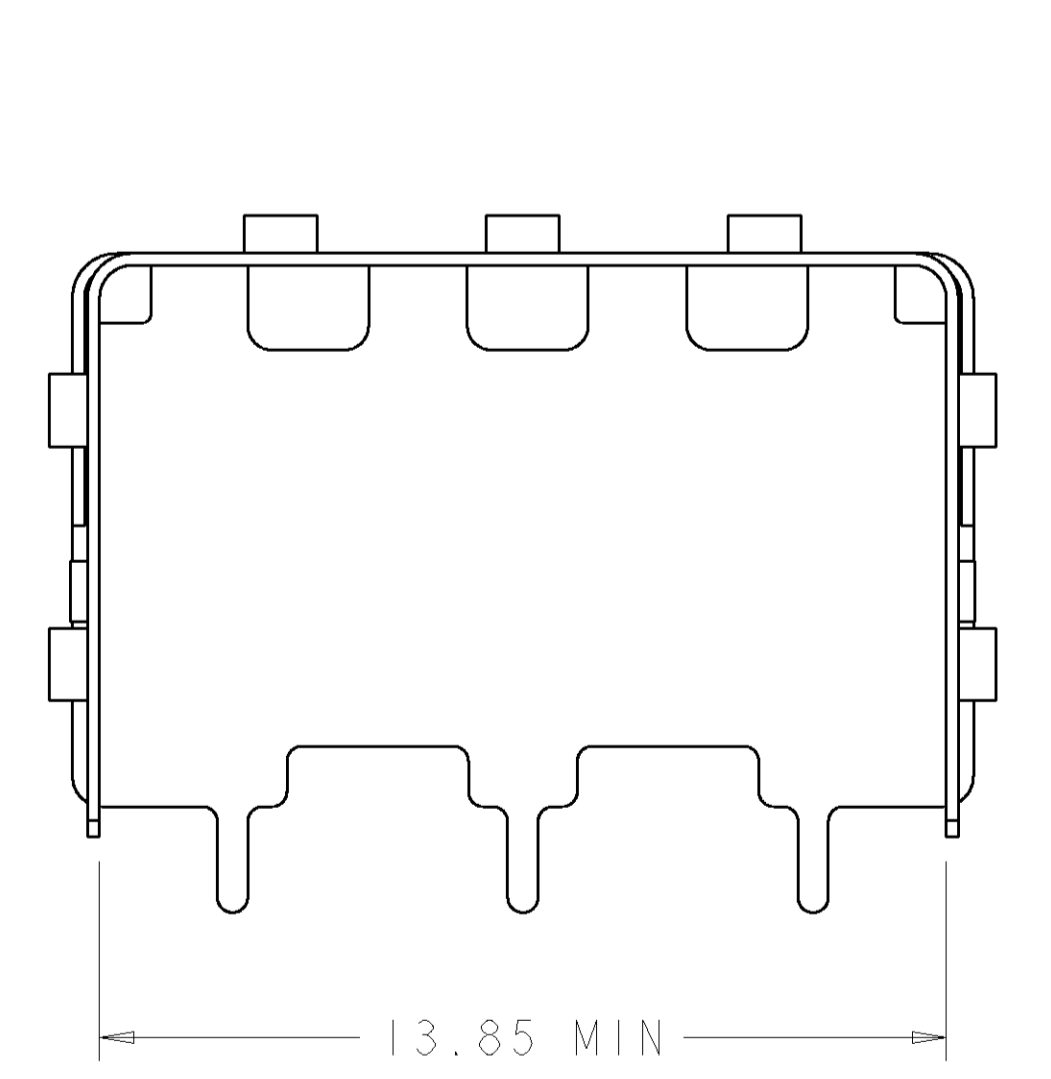
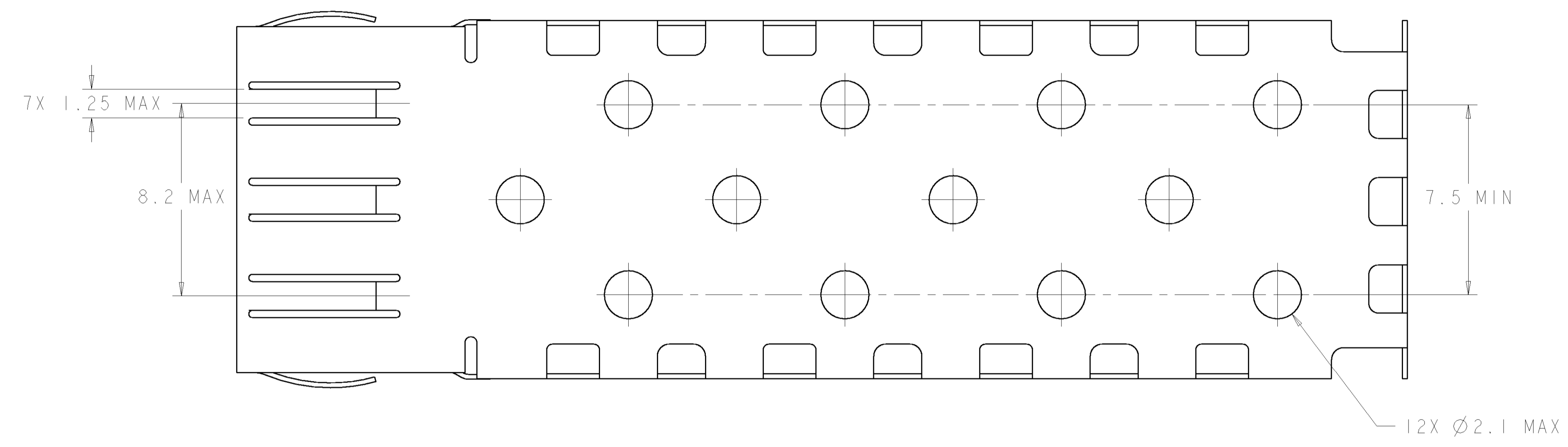
LOC		DIST		REVISIONS			
GP	00	P	LTR	DESCRIPTION	DATE	DWN	APVD
		1		PRELIMINARY PER EC 0513-0083-05	27JAN05	JG	JK

# PRELIMINARY NOT RELEASED FOR PRODUCTION



SCALE 3:1

- △ COPPER ALLOY, 0.2 THICK.
- △ 1.25 MICROMETERS MIN TIN OVER 0.125 MICROMETERS MIN NICKEL. BARE EDGES PERMISSIBLE.
- 3. PACKAGED 60 PIECES PER TRAY.



6367035-1  
PART NUMBER

**COPYRIGHT 2005  
TYCO ELECTRONICS CORP  
ALL RIGHTS RESERVED**

DIMENSIONS: mm 		TOLERANCES UNLESS OTHERWISE SPECIFIED: 0 PLC ± 1 PLC ± 2 PLC ± 3 PLC ± 4 PLC ± ANGLES ± FINISH		DWN J. GERACE 27JAN05 ENR J. KOPPENHEFFER NAME PRODUCT SPEC 108-1950 APPLICATION SPEC 114-13017 WEIGHT CUSTOMER DRAWING		AMP Incorporated Harrisburg, PA 17105-3608 CAGE, TOP SFP SIZE CAGE CODE DRAWING NO A 00779 C-6367035 SCALE 8:1 SHEET 1 OF 1 REV	
-----------------------	--	---	--	---	--	---	--