

10 9 8 7 6 5 4 3 2 1

F

E

D

C

B

A

F

E

D

C

B

A

NOTES:

1. MATERIALS

- HOUSING - HIGH TEMP. NYLON
- EJECTOR - HIGH TEMP. THERMOPLASTIC
- TERMINAL - COPPER ALLOY

2. PLATING - SEE TABLE IN SHEET 5 & 6.

3. CARD SLOT ACCEPTS 1.27±0.10 MM MODULE THICKNESS.  
(MEASURED OVER P.C. PADS)

4. RECOMMENDED MODULE LAYOUT SHALL BE AS PER JEDEC MO-237.

5. REFER TO PRODUCT SPEC. PS-87705-002 FOR PERFORMANCE SPECIFICATIONS.

6. PRODUCT SHALL BE PACKED IN TRAY.

7. PRODUCT SHALL HAVE DATE CODE STAMPED ON SIDE OF HOUSING.

8. PRODUCT IS SUITABLE FOR WAVE SOLDERING ONLY.

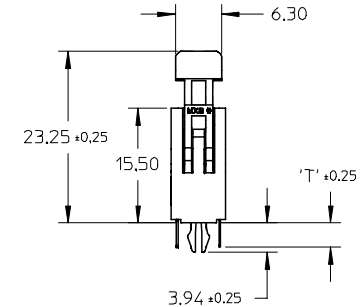
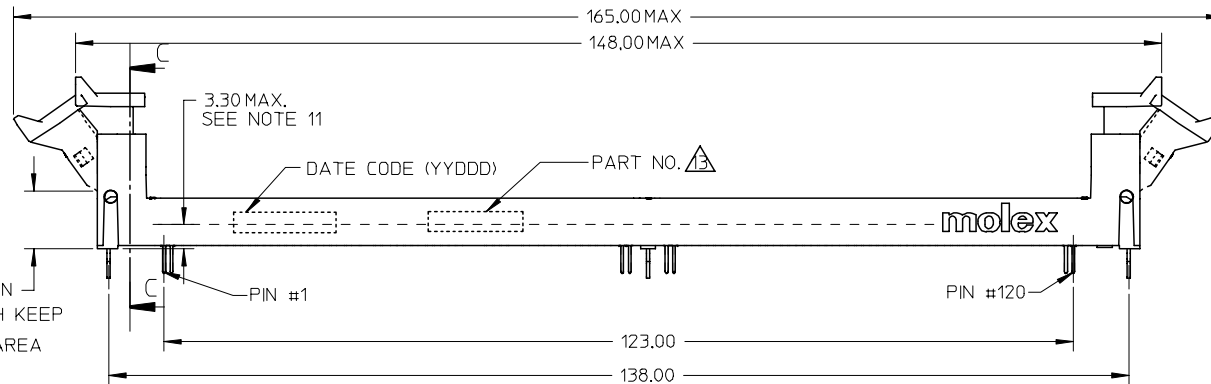
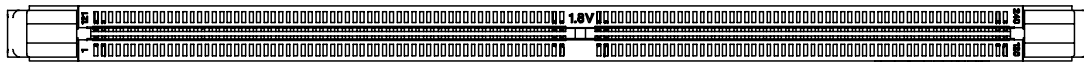
9. KEEP OUT AREA IS THE AREA WHERE THE CONNECTOR IS MOUNTED ONTO THE PCB WHICH DOES NOT INCLUDE THE LATCH.

10. REFER TO CRITICAL JEDEC INFORMATION FOR SOCKET OUTLINE PER SO-001.

11. DIMM MODULE SEATING PLANE FROM TOP OF PCB.

12. CONTACT MOLEX FOR AVAILABILITY OF PRODUCT OPTIONS.

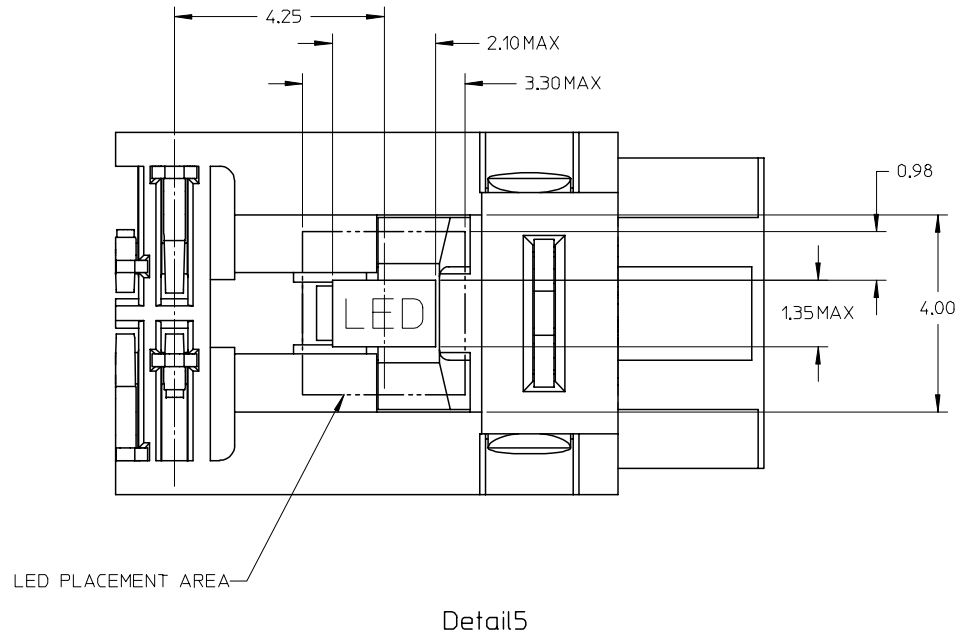
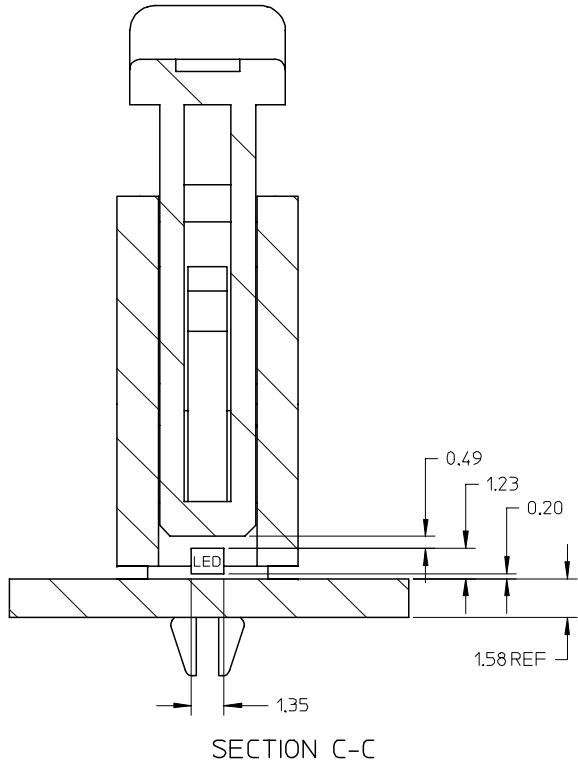
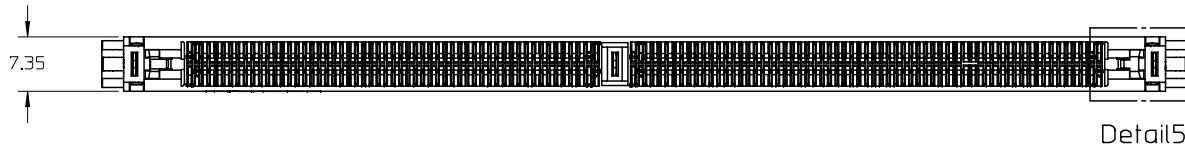
△ PART NUMBER SHALL BE MARKED LEGIBLY AS 87705-\*\*\*\*



EDIT DIM FOR FA EC NO: S2005-0269 DRWN:CGH CHKD:MLONG APPR:SKTOH	2004/10/29 2004/11/02 2004/11/03	QUALITY SYMBOLS ▽=0 ▽=0	GENERAL TOLERANCES (UNLESS SPECIFIED)		DIMENSION STYLE MM ONLY		SCALE NTS	DESIGN UNITS METRIC	THIRD ANGLE PROJECTION			
			4 PLACES	± ---	± ---	DRAWN BY CGOH	DATE 2002/05/09	TITLE SALES DRAWING DDR2, 1MM PITCH 240 CKTS (FORKLOCK VERSION)				
			3 PLACES	± ---	± ---	CHECKED BY DSOH	DATE 2002/07/22					
			2 PLACES	± 0.20	± ---	APPROVED BY SKTOH	DATE 2002/07/23	molex MOLEX INCORPORATED				
		1 PLACE	± ---	± ---	MATERIAL NO.		DOCUMENT NO. SD-87705-001		SHEET NO. 1 OF 6			
		ANGULAR ± 5 °			DRAFT WHERE APPLICABLE MUST REMAIN WITHIN DIMENSIONS		SIZE A3		THIS DRAWING CONTAINS INFORMATION THAT IS PROPRIETARY TO MOLEX INCORPORATED AND SHOULD NOT BE USED WITHOUT WRITTEN PERMISSION			

9 8 7 6 5 4 3 2 1

10 9 8 7 6 5 4 3 2 1



EDIT DIM FOR FA EC NO: S2005-0269 DRAWN: CGOH 2004/10/29 CHKD: MLONG 2004/11/02 APPR: SKTOH 2004/11/03	QUALITY SYMBOLS	GENERAL TOLERANCES (UNLESS SPECIFIED)	DIMENSION STYLE	SCALE	DESIGN UNITS	THIRD ANGLE PROJECTION
	$\nabla = 0$ $\sphericalangle = 0$	4 PLACES ± --- ± --- 3 PLACES ± --- ± --- 2 PLACES ± 0.20 ± --- 1 PLACE ± --- ± --- ANGULAR ± 5 °	MM ONLY	NTS	METRIC	
	DESCRIPTION	DRAFT WHERE APPLICABLE MUST REMAIN WITHIN DIMENSIONS	DRAWN BY DATE CGOH 2002/05/09 CHECKED BY DATE DSOH 2002/07/22 APPROVED BY DATE SKTOH 2002/07/23	TITLE	SALES DRAWING DDR2, 1MM PITCH 240 CKTS (FORKLOCK VERSION)	
	REV		SIZE	SEE TABLE	DOCUMENT NO.	MOLEX INCORPORATED SD-87705-001

9 8 7 6 5 4 3 2 1

10 9 8 7 6 5 4 3 2 1

F F

E E

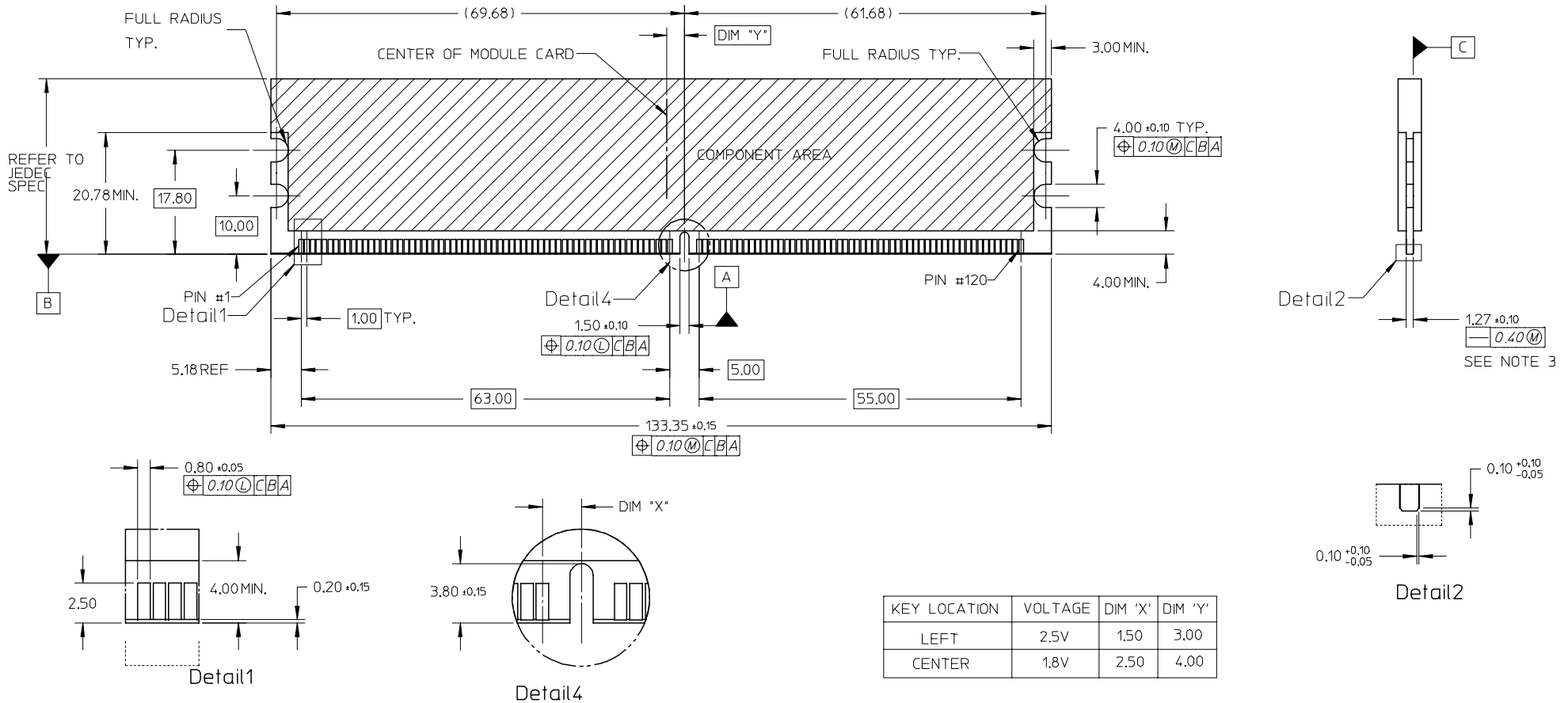
D D

C C

B B

A A

RECOMMENDED MODULE LAYOUT



KEY LOCATION	VOLTAGE	DIM 'X'	DIM 'Y'
LEFT	2.5V	1.50	3.00
CENTER	1.8V	2.50	4.00

EDIT DIM FOR FA EC NO: S2005-0269 DRAWN: CGOH CHKD: MLONG APPR: SKTOH	QUALITY SYMBOLS ▽=0 ▽=0	GENERAL TOLERANCES (UNLESS SPECIFIED) 4 PLACES ± --- ± --- 3 PLACES ± --- ± --- 2 PLACES ± 0.20 ± --- 1 PLACE ± --- ± --- ANGULAR ± 5 °	DIMENSION STYLE MM ONLY	SCALE NTS	DESIGN UNITS METRIC	THIRD ANGLE PROJECTION
	DRAWN BY CGOH	DATE 2002/05/09	TITLE SALES DRAWING DDR2, 1MM PITCH 240 CKTS (FORKLOCK VERSION)			
	CHECKED BY DSOH	DATE 2002/07/22	MOLEX INCORPORATED			
	APPROVED BY SKTOH	DATE 2002/07/23	MATERIAL NO.	DOCUMENT NO. SD-87705-001	SHEET NO. 3 OF 6	

9 8 7 6 5 4 3 2 1

10 9 8 7 6 5 4 3 2 1

F

E

D

C

B

A

F

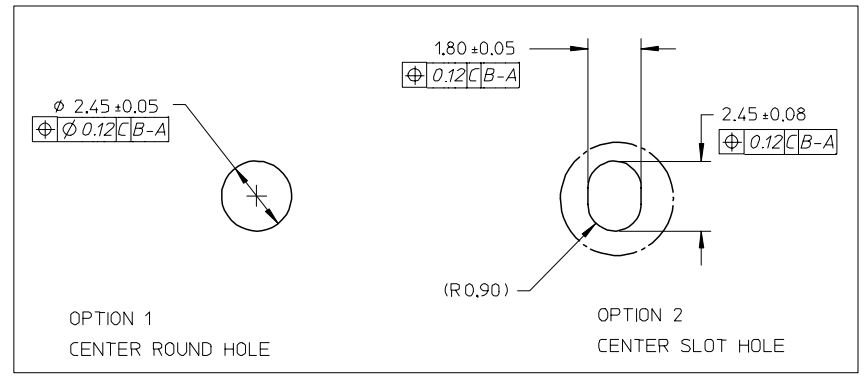
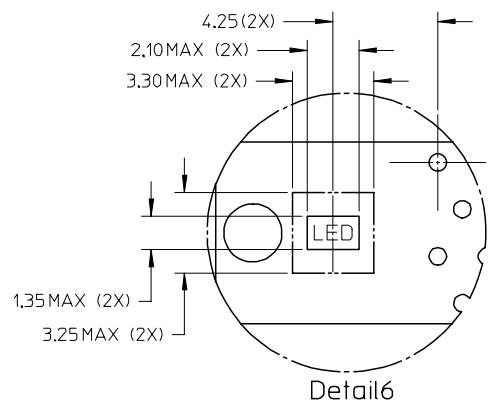
E

D

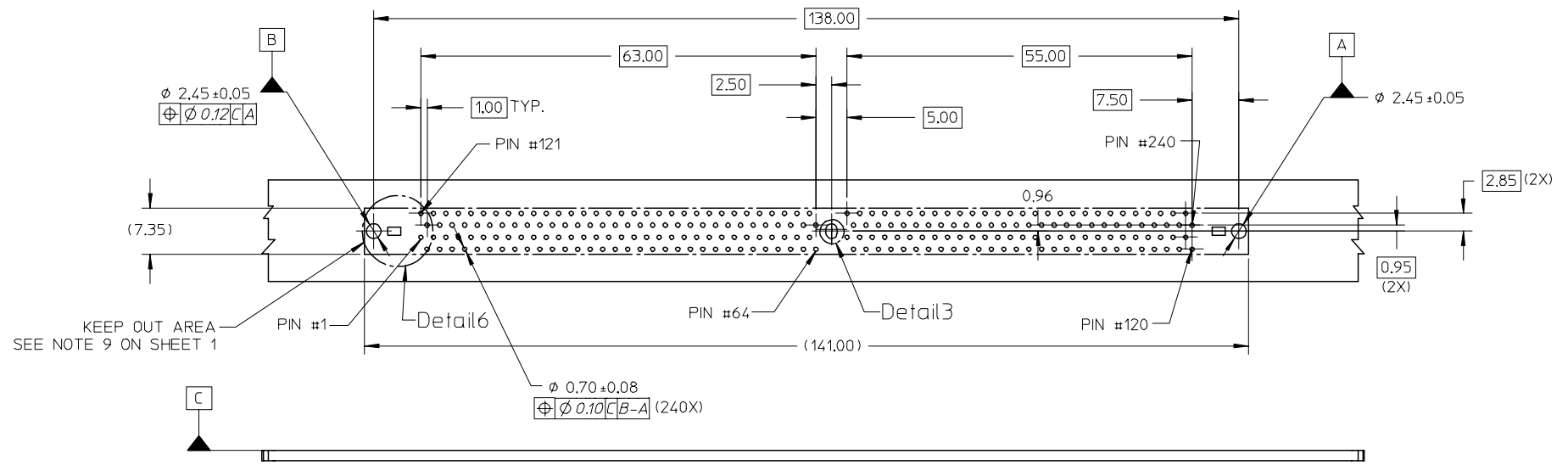
C

B

A



(SEE RECOMMENDED THICKNESS IN TABLE)  
RECOMMENDED PCB LAYOUT  
CONNECTOR SIDE



EDIT DIM FOR FA EC NO: S2005-0269 DRAWN: CGH 2004/10/29 CHKD: MLONG 2004/11/02 APPR: SKTOH 2004/11/03	QUALITY SYMBOLS	GENERAL TOLERANCES (UNLESS SPECIFIED)		DIMENSION STYLE	SCALE	DESIGN UNITS	THIRD ANGLE PROJECTION	
	$\nabla=0$ $\sphericalangle=0$	mm	INCH	MM ONLY	NTS	METRIC		
		4 PLACES	± ---	± ---	DRAWN BY	DATE	TITLE	
		3 PLACES	± ---	± ---	CGOH	2002/05/09	SALES DRAWING	
	2 PLACES	± 0.20	± ---	CHECKED BY	DATE	DDR2, 1MM PITCH 240 CKTS		
	1 PLACE	± ---	± ---	DSOH	2002/07/22	(FORKLOCK VERSION)		
		ANGULAR ± 5 °		APPROVED BY	DATE	MOLEX INCORPORATED		
		DRAFT WHERE APPLICABLE MUST REMAIN WITHIN DIMENSIONS		SKTOH	2002/07/23			
				MATERIAL NO.	DOCUMENT NO.			
				SIZE	SEE TABLE	SD-87705-001	SHEET NO.	
				THIS DRAWING CONTAINS INFORMATION THAT IS PROPRIETARY TO MOLEX INCORPORATED AND SHOULD NOT BE USED WITHOUT WRITTEN PERMISSION				4 OF 6

9 8 7 6 5 4 3 2 1

PART NO.	KEY POS.	DIM 'T'	RECOMMENDED PCB THICKNESS	PLATING OPTION	LATCH COLOR
87705-0001	CENTER (1.8V)	2.67	1.57	0.38µM / 15 µIN MIN. GOLD ON CONTACT, 2.54µM/ 100µIN MIN. TIN/LEAD ON SOLDERTAILS, 1.27µM/ 50µIN MIN. NICKEL UNDERPLATE	NATURAL
87705-0002	LEFT (2.5V)				
87705-1001	CENTER (1.8V)	3.18	2.36		
87705-1002	LEFT (2.5V)				
87705-0011	CENTER (1.8V)	2.67	1.57		
87705-0012	LEFT (2.5V)				
87705-1011	CENTER (1.8V)	3.18	2.36		
87705-1012	LEFT (2.5V)				
87705-0041	CENTER (1.8V)	2.67	1.57		
87705-0042	LEFT (2.5V)				
87705-1041	CENTER (1.8V)	3.18	2.36		
87705-1042	LEFT (2.5V)				
87705-0021	CENTER (1.8V)	2.67	1.57		
87705-0022	LEFT (2.5V)				
87705-1021	CENTER (1.8V)	3.18	2.36		
87705-1022	LEFT (2.5V)				
87705-0031	CENTER (1.8V)	2.67	1.57		
87705-0032	LEFT (2.5V)				
87705-1031	CENTER (1.8V)	3.18	2.36		
87705-1032	LEFT (2.5V)				
87705-0051	CENTER (1.8V)	2.67	1.57		
87705-0052	LEFT (2.5V)				
87705-1051	CENTER (1.8V)	3.18	2.36		
87705-1052	LEFT (2.5V)				

EDIT DIM FOR FA EC NO: S2005-0269 DRAWN: CGH CHKD: MLONG APPR: SKTOH	2004/10/29 2004/11/02 2004/11/03	QUALITY SYMBOLS ▽=0 ▽=0	GENERAL TOLERANCES (UNLESS SPECIFIED)		DIMENSION STYLE MM ONLY		SCALE NTS	DESIGN UNITS METRIC	THIRD ANGLE PROJECTION			
				mm	INCH	DRAWN BY CGOH	DATE 2002/05/09	TITLE SALES DRAWING DDR2, 1MM PITCH 240 CKTS (FORKLOCK VERSION)				
			4 PLACES	± ---	± ---	CHECKED BY DSOH	DATE 2002/07/22					
			3 PLACES	± ---	± ---	APPROVED BY SKTOH		DATE 2002/07/23	MOLEX INCORPORATED			
2 PLACES	± 0.20	± ---	MATERIAL NO.		DOCUMENT NO. SD-87705-001	SHEET NO. 5 OF 6						
1 PLACE	± ---	± ---	DRAFT WHERE APPLICABLE MUST REMAIN WITHIN DIMENSIONS		SIZE A3	THIS DRAWING CONTAINS INFORMATION THAT IS PROPRIETARY TO MOLEX INCORPORATED AND SHOULD NOT BE USED WITHOUT WRITTEN PERMISSION						
ANGULAR ± 5 °												

10 9 8 7 6 5 4 3 2 1

PART NO.	KEY POS.	DIM 'T'	RECOMMENDED PCB THICKNESS	PLATING OPTION	LATCH COLOR	
87705-5041	CENTER (1.8V)	2.67	1.57	0.76µM / 30 µIN MIN. GOLD ON CONTACT, 2.54µM/ 100µIN MIN. TIN/LEAD ON SOLDER TAILS, 1.27µM/ 50µIN MIN. NICKEL UNDERPLATE	CLEAR	
87705-5042	LEFT (2.5V)					
87705-5141	CENTER (1.8V)	3.18	2.36			
87705-5142	LEFT (2.5V)					
87705-5051	CENTER (1.8V)	2.67	1.57			0.76µM / 30 µIN MIN. GOLD ON CONTACT, 2.54µM/ 100µIN MIN. TIN ON SOLDER TAILS, 1.27µM/ 50µIN MIN. NICKEL UNDERPLATE
87705-5052	LEFT (2.5V)					
87705-5151	CENTER (1.8V)	3.18	2.36			
87705-5152	LEFT (2.5V)					
87705-9001	CENTER (1.8V)	2.67	1.57	0.38µM / 15 µIN MIN. GOLD ON CONTACT, 2.54µM/ 100µIN MIN. TIN/LEAD ON SOLDER TAILS, 1.27µM/ 50µIN MIN. NICKEL UNDERPLATE	BLACK	
87705-9101	CENTER (1.8V)	2.67	1.57			

EDIT DIM FOR FA EC NO: S2005-0269 DRAWN: CGOH 2004/10/29 CHKD: MLONG 2004/11/02 APPR: SKTOH 2004/11/03	QUALITY SYMBOLS =0 =0	GENERAL TOLERANCES (UNLESS SPECIFIED)		DIMENSION STYLE MM ONLY	SCALE NTS	DESIGN UNITS METRIC	THIRD ANGLE PROJECTION			
				mm	INCH	DRAWN BY CGOH	DATE 2002/05/09	TITLE SALES DRAWING DDR2, 1MM PITCH 240 CKTS (FORKLOCK VERSION)		
		4 PLACES	± ---	± ---	± ---	CHECKED BY DSOH	DATE 2002/07/22			
		3 PLACES	± ---	± ---	± ---	APPROVED BY SKTOH	DATE 2002/07/23	MOLEX INCORPORATED DOCUMENT NO. SD-87705-001		
2 PLACES	± 0.20	± ---	± ---	MATERIAL NO.		SHEET NO. 6 OF 6				
1 PLACE	± ---	± ---	± ---	DRAFT WHERE APPLICABLE MUST REMAIN WITHIN DIMENSIONS		SIZE A3 THIS DRAWING CONTAINS INFORMATION THAT IS PROPRIETARY TO MOLEX INCORPORATED AND SHOULD NOT BE USED WITHOUT WRITTEN PERMISSION				
ANGULAR ± 5 °										

9 8 7 6 5 4 3 2 1