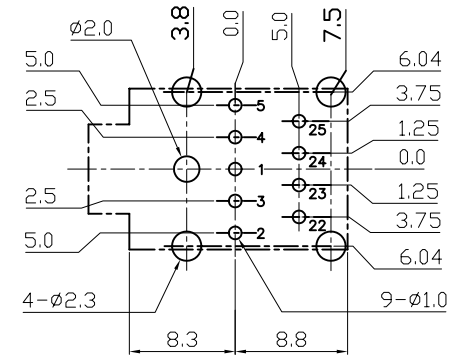
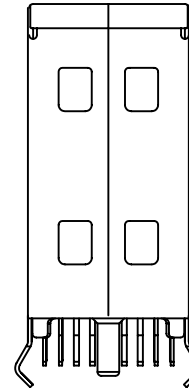
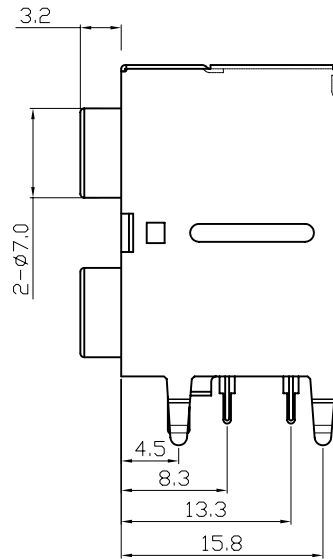
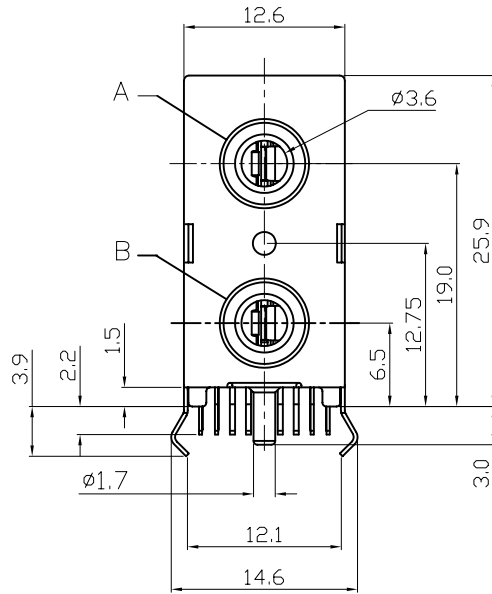
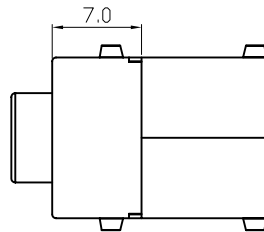
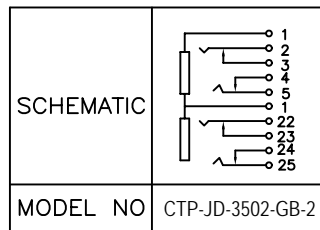


CTP-JD-3502-GB-2



P.C.B LAYOUT
(BOTTOM VIEW)



| | | | | |
|------|-----------------|----------------------|--------------------------|-----|
| 15 | A-Bushing | PBT | Pantone #577C | 1 |
| 14 | B-Bushing | PBT | Pantone #284C | 1 |
| 13 | Housing | PBT (Rated UL 94V-0) | Black | 1 |
| 12 | Cover | PA66 | Black | 1 |
| 11 | Shield | Brass | Nickel Plated&Tin Plated | 1 |
| 10 | Copper Slate | Copper | Nickel Plated | 1 |
| 9 | 2-Tip Terminal | Phosphor Bronze | Tin Plated&Gold Flash | 1 |
| 8 | 2-TS Terminal | Brass | Tin Plated | 1 |
| 7 | 2-RS Terminal | Brass | Tin Plated | 1 |
| 6 | 2-Ring Terminal | Phosphor Bronze | Tin Plated&Gold Flash | 1 |
| 5 | Tip Terminal | Phosphor Bronze | Tin Plated&Gold Flash | 1 |
| 4 | TS Terminal | Brass | Tin Plated | 1 |
| 3 | RS Terminal | Brass | Tin Plated | 1 |
| 2 | Ring Terminal | Phosphor Bronze | Tin Plated&Gold Flash | 1 |
| 1 | Sleeve Terminal | Copper | Tin Plated&Gold Flash | 1 |
| ITEM | NAME | MATERIAL | FINISH | SUM |

Phone 1-800-809-2751



Fax 1-510-440-0579

www.connect-tech-products.com • info@connect-tech-products.com

4428 Technology Drive • Fremont, CA 94538, USA • 510-498-8815 • Fax: 510-440-0579