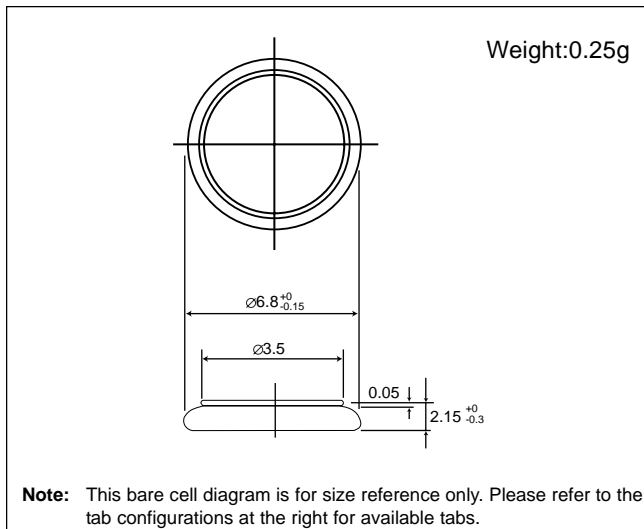


# Niobium-Lithium Rechargeable Batteries (NBL series): Individual Specifications

## NBL621

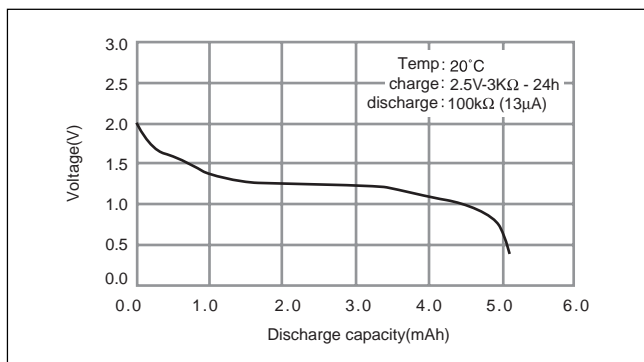
### ■ Dimensions(mm)



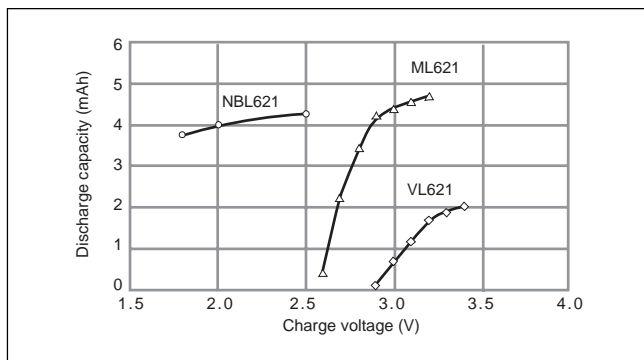
### ■ Specification

<b>Nominal voltage (V)</b>	2
<b>Nominal capacity (mAh)</b>	4
<b>Continuous standard load (mA)</b>	0.01
<b>Operating temperature (C)</b>	-20 ~ +60

### ■ Discharge characteristics

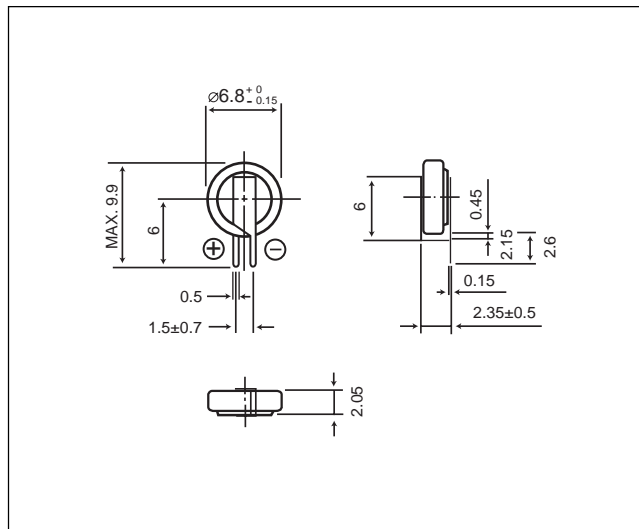


### ■ Recovered capacity (According to charge voltage)



## NBL621/F9D

### ■ Available Tab Configuration



### Notes:

- To ensure proper electrical contact, it is recommended that rechargeable coin cell batteries be used with tabs for PC Board mounting. Please consult Panasonic before planning a design that will use bare coin cells without tabs (e.g. using a holder).
- Please contact Panasonic for requests on custom tab configurations. Minimum order requirements may apply.