

COMPONENT VIEW

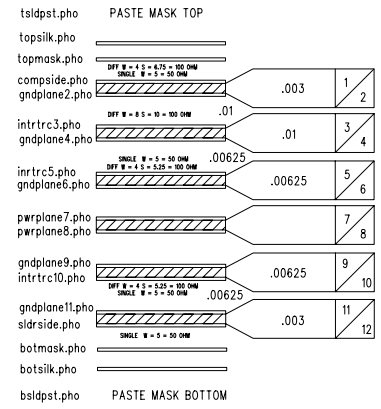
THE INFORMATION IN THIS DRAWING IS THE SOLE PROPERTY OF THE XILINX CORPORATION. ANY REPRODUCTION IN PART OR WHOLE WITHOUT THE WRITTEN PERMISSION OF XILINX CORPORATION, IS PROHIBITED

DESCRIPTION
PCB, ML323 V2 PRO MGT CHAR

DWG NO.
1280315

REVISIONS			
REV	DESCRIPTION	DATE	APPROVED
01	INITIAL RELEASE	12-04-03	

SIZE	QTY	SYM	PLTD
37	484	[]	PLTD
87	2	[]	WPLTIZ
67	2	[]	WPLTIZ
52	2	[]	WPLTIZ
250	11	[]	PLTD
31	12	[]	PLTD
105	2	[]	PLTD
125	9	[]	PLTD
95	8	[]	PLTD
73	5	[]	PLTD
12	1665	[]	PLTD
8	64	[]	PLTD
11.81	128	[]	PLTD
15.75	444	[]	PLTD
66.93	296	[]	PLTD
23.62	74	[]	PLTD
90	4	[]	PLTD
96.5	2	[]	PLTD
45	9	[]	PLTD
39.37	2	[]	PLTD



- 15. BLIND VIAS USE 8 MILL DRILL.
 - [14] PLATING : GOLD EMMERSION OVER COPPER.
 - 13. IMPEDANCE TOLERANCE +/- 5%.
 - 12. ALL HOLES PLATED THROUGH, SIZES SPECIFIED ARE AFTER PLATING.
 - 11. HOLE TOLERANCE +/- .003, AFTER PLATING.
 - 10. REMOVE ALL SHARP EDGES AND BURRS.
 - [9] SOLDERMASK : LPI, COLOR=GREEN.
 - 8. RF - > 3.125GHZ FREQUENCIES
 - 7. MARK UL RECOGNIZED MANUFACTURER'S IDENTIFICATION LETTERS AND/OR SYMBOLS.
 - 6. USE ARTMASTER # 0531289
 - 5. BOARD THICKNESS = .090" +/- .010
 - 4. SILKSCREEN TOP AND BOTTOM; WHITE USING NON-CONDUCTIVE PAINT. (WARNOW CAT-L-LINK PROCESS).
 - [3] MATERIAL = FR-4 OR EQUIVALENT ASSUMED ER 4.2 +/- 0.25
 - 2. FABRICATE IN ACCORDANCE WITH IPC-600 CLASS 2 LESS THAN 1.5X BOW AND TWIST. IPC-R-700 UL 796 AND UL 94 INDUSTRY STANDARD.
 - 1. BOARD IS SHOWN FROM COMPONENT SIDE.
- NOTES: UNLESS OTHERWISE SPECIFIED:

UNLESS OTHERWISE SPECIFIED ALL DIMENSIONS ARE IN INCHES TOLERANCES ARE: FRACTIONS DECIMALS ANGLES ± .005 ± .010 ± 1°	CAD GENERATED DRAWING. DO NOT MANUALLY UPDATE		XILINX 2100 LOGIC DRIVE SAN JOSE, CALIFORNIA 95124
	APPROVALS	DATE	
DRAWN B.MANSFIELD	12-04-03	TITLE PCB, ML323 V2 PRO FF1152 MGT CHAR	
CHECKED [3]	RES ENG	SCALE 1:1	SIZE D
FINISH [14] [9]	WFG ENG	SCALE	FSCM NO.
DO NOT SCALE DRAWING	QUAL ENG	APPROVED	DWG NO. 1280315
			REV. 01
			SHEET 1 OF 1