

Integrated Bit Error Ratio Tester 7 Series GTP Transceivers v3.0

LogiCORE IP Product Guide

Vivado Design Suite

PG133 June 8, 2016

Table of Contents

Chapter 1: Overview

Functional Description.....	5
Feature Summary.....	5
Applications.....	8
Licensing and Ordering Information.....	8

Chapter 2: Product Specification

Performance.....	9
Resource Utilization.....	9
Port Descriptions.....	9

Chapter 3: Designing with the Core

General Design Guidelines.....	10
Clocking.....	11
Resets.....	11

Chapter 4: Design Flow Steps

Customizing and Generating the Core.....	12
Constraining the Core.....	17
Simulation.....	18
Synthesis and Implementation.....	18

Chapter 5: Example Design

Appendix A: Migrating and Upgrading

Upgrading in the Vivado Design Suite.....	20
---	----

Appendix B: Debugging

Finding Help on Xilinx.com.....	21
Debug Tools.....	22

Appendix C: Additional Resources and Legal Notices

Xilinx Resources.....	24
References.....	24

Revision History 25
Please Read: Important Legal Notices 25

Introduction

The LogiCORE™ IP Integrated Bit Error Ratio Tester (IBERT) core for 7 series FPGA GTP transceivers is designed for evaluating and monitoring the GTP transceivers. This core includes pattern generators and checkers that are implemented in FPGA logic, and access to ports and the dynamic reconfiguration port attributes of the GTP transceivers. Communication logic is also included to allow the design to be run time accessible through JTAG. This core can be used as a self-contained or open design, based on customer configuration, and as described in this document.

Features

- Provides a communication path to the Vivado® Serial I/O Analyzer feature
- Provides a user-selectable number of 7 series FPGA GTP transceivers
- Transceivers can be customized for the desired line rate, reference clock rate, and reference clock source.
- Requires a system clock that can be sourced from a pin or one of the enabled GTP transceivers

LogiCORE IP Facts Table	
Core Specifics	
Supported Device Family ⁽¹⁾	Artix®-7
Supported User Interfaces	N/A
Resources	Performance and Resource Utilization web page
Provided with Core	
Design Files	register transfer level (RTL)
Example Design	Verilog
Test Bench	Not Provided
Constraints File	Xilinx Design Constraints (XDC)
Simulation Model	Not Provided
Supported S/W Driver	N/A
Tested Design Flows⁽²⁾	
Design Entry	Vivado Design Suite
Simulation	Not Provided
Synthesis	Vivado Synthesis
Support	
Provided by Xilinx at the Xilinx Support web page .	

Notes:

1. For a complete list of supported devices, see the Vivado IP catalog.
2. For the supported versions of the tools, see the [Xilinx Design Tools: Release Notes Guide](#).

Overview

Functional Description

The IBERT core provides a broad-based Physical Medium Attachment (PMA) evaluation and demonstration platform for 7 series FPGA GTP transceivers. Parameterizable to use different GTP transceivers and clocking topologies, the IBERT core can also be customized to use different line rates and reference clock rates. Data pattern generators and checkers are included for each GTP transceiver desired, giving several different Pseudo-random binary sequence (PRBS) and clock patterns to be sent over the channels.

In addition, the configuration and tuning of the GTP transceivers is accessible through logic that communicates to the Dynamic Reconfiguration Port (DRP) port of the GTP transceiver, to change attribute settings, as well as registers that control the values on the ports. At run time, the Vivado® serial I/O analyzer communicates to the IBERT core through JTAG, using the Xilinx cables and proprietary logic that is part of the IBERT core.

Feature Summary

The IBERT core is designed for PMA evaluation and demonstration. All the major physical medium attachment (PMA) features of the GTP transceiver are supported and controllable, including:

- TX pre-emphasis and post-emphasis
- TX differential swing
- RX equalization
- Decision Feedback Equalizer (DFE)
- Phase-Locked Loop (PLL) divider settings

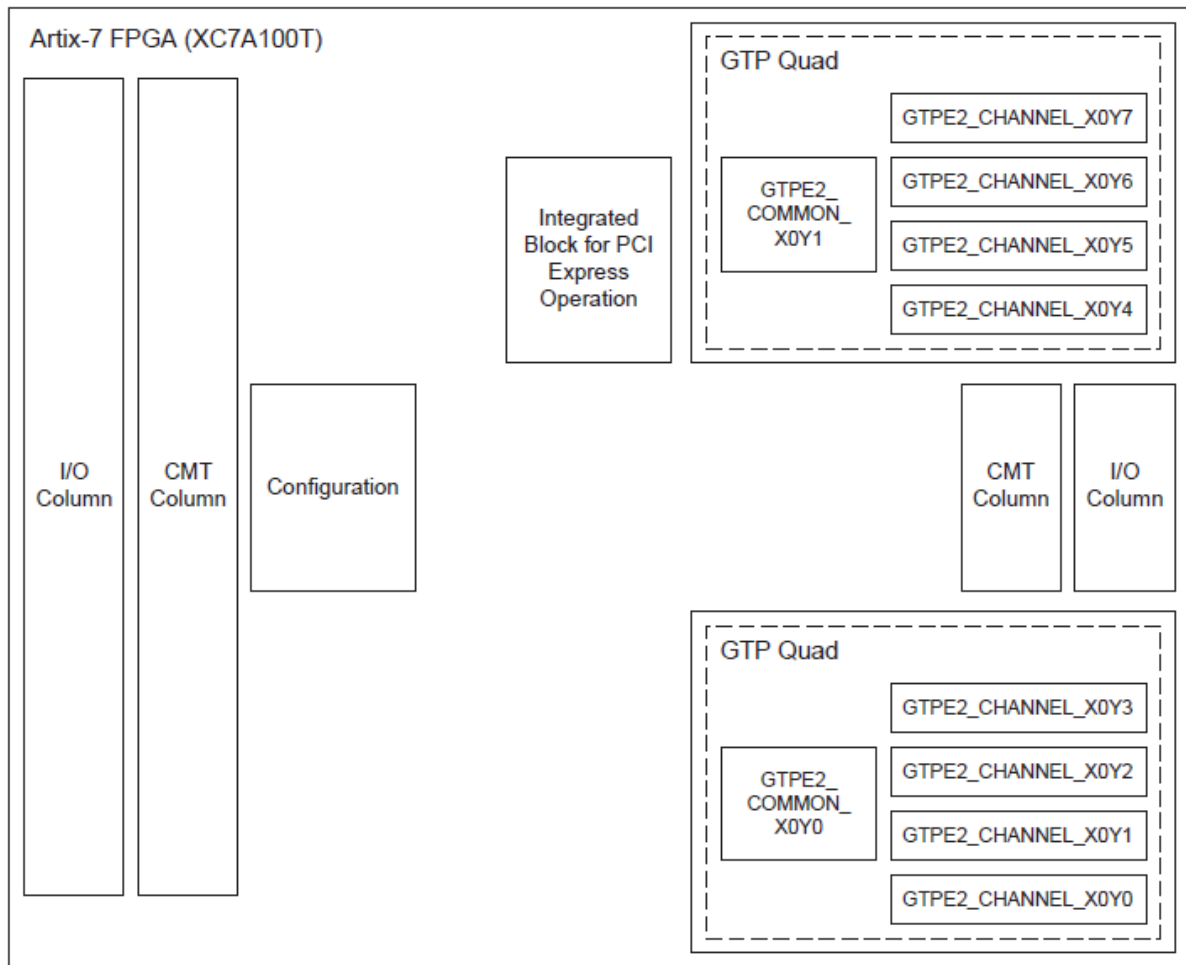
Some of the Physical Coding Sublayer (PCS) features offered by the transceiver are outside the scope of IBERT, including:

- Clock Correction
- Channel Bonding
- 8B/10B, 64B/66B, or 64B/67B encoding
- TX or RX Buffer Bypass

PLL Configuration

For each Quad (4 channels) there are two shared ring PLLs (PLL0 and PLL1). Any of the 4 channels in the Quad can use either PLL.

Figure 1-1 shows a Quad in a 7 series device. The GTPE2_CHANNEL component has the serial transceiver and the GTPE2_COMMON has PLL0 and PLL1.



UG482 C1 D1 110811

Figure 1-1: Quad in a 7 Series Device

The serial transceiver REFCLK can be sourced from either PLL0 or PLL1 based on the multiplexers as shown in Figure 1-2.

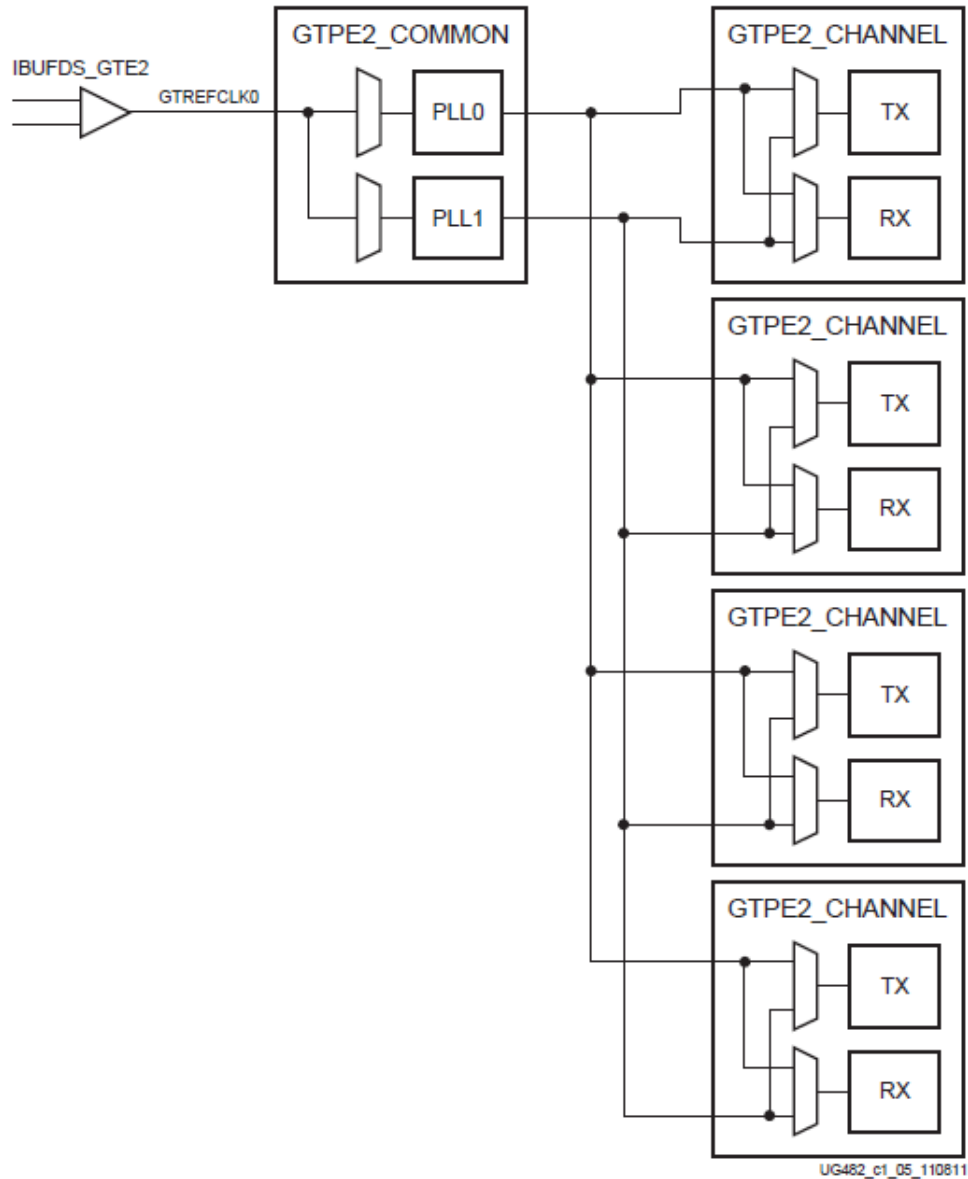


Figure 1-2: Serial Transceiver REFCLK Sourcing

Pattern Generation and Checking

Each GTP transceiver enabled in the IBERT design has a pattern generator and a pattern checker. The pattern generator sends data out through the transmitter. The pattern checker accepts data through the receiver and checks it against an internally generated pattern. IBERT offers PRBS 7-bit, PRBS 15-bit, PRBS 23-bit, PRBS 31-bit, Clk 2x (101010...), and Clk 10x (11111111110000000000...) patterns.

Using the pattern checker logic, the incoming data is compared against a pattern that is internally generated. When the checker receives five consecutive cycles of data with no errors, the `LINK` signal is asserted. If the `LINK` signal is asserted and the checker receives five consecutive cycles with data errors, the `LINK` signal is deasserted. Internal counters accumulate the number of words and errors received.

DRP and Port Access

You can change GTP transceiver ports and attributes. The DRP interface logic allows the run time software to monitor and change any attribute of the GTP transceivers and the corresponding PLL. When applicable, readable and writable registers are also included that are connected to the various ports of the GTP transceiver. All are accessible at run time using the Vivado serial I/O analyzer.

Applications

The IBERT core is designed to be used in any application that requires verification or evaluation of 7 series FPGA GTP transceivers.

Licensing and Ordering Information

This Xilinx LogiCORE™ IP module is provided at no additional cost with the Xilinx Vivado Design Suite under the terms of the [Xilinx End User License](#).

Information about this and other Xilinx LogiCORE IP modules is available at the [Xilinx Intellectual Property](#) page. For information about pricing and availability of other Xilinx LogiCORE IP modules and tools, contact your [local Xilinx sales representative](#).

Product Specification

Performance

The core can be configured to run any of the allowable line rates for the GTP transceivers. See the *7 Series FPGAs Overview (DS180)* [Ref 2] for the line rates supported by speed grade.

Maximum Frequencies

The IBERT core can operate at the maximum user clock frequencies for the FPGA logic width/speed grade selected. The maximum system clock rate is 125 MHz and the generated design divides any incoming system clock to adhere to this constraint.

Resource Utilization

For full details about performance and resource utilization, visit the [Performance and Resource Utilization web page](#)

Port Descriptions

The core ports are shown in [Table 2-1](#).

Table 2-1: Core Ports

Signal Name	I/O	Description
SYSCLOCK_I	I	Clock that clocks all communication logic. This port is present only when an external clock is selected in the generator.
TXN_O[7:0]	O	Transmit differential pairs for each of the n GTP transceivers used.
TXP_O[7:0]		
RXN_O[7:0]	I	Receive differential pairs for each of the n GTP transceivers used.
RXP_O[7:0]		
GTREFCLK0_I[1:0]	I	GTP transceiver reference clocks used. The number of MGTREFCLK ports can be equal to or less than the number of transmit and receive ports because some GTP transceivers can share clock inputs.
GTREFCLK1_I[1:0]		
RXOUTCLK_O	O	Quad based RX output clock.

Designing with the Core

This chapter includes guidelines and additional information to facilitate designing with the core.

General Design Guidelines

GTP Transceiver Naming Style

There are two conventions for naming the GTP transceiver, based on the location in the serial transceiver tile in the device. M and n in X_mY_n naming convention indicate the X and Y coordinates of the serial transceiver location. M and n in serial transceiver m_n naming convention indicating serial transceiver number and quad associated.

Line Rate Support

IBERT supports a maximum of three different line rates in a single design. For each of these line rates, you can select a custom value based on your requirements, or you can choose from pre-provided industry standard protocols (for example, CPRI™, Gigabit Ethernet, or XAUI). Specify the number of serial transceivers for each line rate that is programmed with these settings. Because usage of QPLL is recommended for line rates above 6.5 Gb/s, you can select QPLL/CPLL for each line rate falling in the range 0.6 Gb/s to 6.5 Gb/s.

Serial Transceiver Location

Based on the total number of serial transceivers selected, provide the specific location of each serial transceiver that you intend to use. The region shown in the panel indicates the location of serial transceivers in the tile. This demarcation of region is based on the physical placement of serial transceivers with respect to median of BUFGs available for each device.

Clocking

System Clock

The IBERT core requires a free-running system clock for communication and other logic that is included in the core. This clock can be chosen at generation time to originate from an FPGA pin, or from a dedicated REFCLK input of one of the GTP transceivers. In order for the core to operate properly, this system clock source must remain operational and stable when the FPGA is configured with the IBERT core design.

If the system clock is running faster than 150 MHz, it is divided down internally using a Mixed-Mode Clock Manager (MMCM) to satisfy timing constraints. The clock source selected must be stable and free running after the FPGA is configured with the IBERT design. The system clock is used for core communication and as a reference for system measurements. Therefore, the clock source selected must remain operational and stable when using the IBERT core.

Receiver Output Clock

The receiver clock probe enable is provided to pull out a recovered clock from any serial transceiver, if desired. When enabled, a new panel appears just before the summary page where you can fill in the serial transceiver source and probe pin standards.

Reference Clock

The reference clock source should be provided for all the serial transceivers selected. The drop-down list provides you with possible sources based on local clocks in the same quad and shared clocks from north/south quads.

Resets

Run time resets are available for the BERT counters and all GT resets are available.

Design Flow Steps

This chapter describes customizing and generating the core, constraining the core, and the simulation, synthesis and implementation steps that are specific to this IP core. More detailed information about the standard Vivado® design flows and the Vivado IP integrator can be found in the following Vivado Design Suite user guides:

- *Vivado Design Suite User Guide: Designing IP Subsystems using IP Integrator* (UG994) [Ref 5]
- *Vivado Design Suite User Guide: Designing with IP* (UG896) [Ref 5]
- *Vivado Design Suite User Guide: Getting Started* (UG910) [Ref 7]
- *Vivado Design Suite User Guide: Logic Simulation* (UG900) [Ref 8]

Customizing and Generating the Core

This section includes information about using Xilinx tools to customize and generate the core in the Vivado Design Suite.

If you are customizing and generating the core in the IP integrator, see the *Vivado Design Suite User Guide: Designing IP Subsystems using IP Integrator* (UG994) [Ref 5] for detailed information. IP integrator might auto-compute certain configuration values when validating or generating the design. To check whether the values do change, see the description of the parameter in this chapter. To view the parameter value, run the `validate_bd_design` command in the Tcl console.

You can customize the IP for use in your design by specifying values for the various parameters associated with the IP core using the following steps:

1. Select the IP from the Vivado IP catalog.
2. Double-click the selected IP or select the Customize IP command from the toolbar or right-click menu.

For details, see the *Vivado Design Suite User Guide: Designing with IP* (UG896) [Ref 5] and the *Vivado Design Suite User Guide: Getting Started* (UG910) [Ref 7].

Note: Figures in this chapter are illustrations of the Vivado IDE. The layout depicted here might vary from the current version.

Figure 4-1 to Figure 4-4 show the IBERT Customize IP dialog boxes with information about customizing ports.

Entering the Component Name

The Component Name field can consist of any combination of alpha-numeric characters including the underscore symbol. However, the underscore symbol cannot be the first character in the component name.

Silicon Version

Choose either the **General ES/Production** or **Initial ES** radio button to match the silicon targeted.

Protocol Definition

A protocol is a line rate/data width/reference clock rate combination. Up to three protocols can be defined for an IBERT core, and any number of available Quads can be designated as any protocol defined.

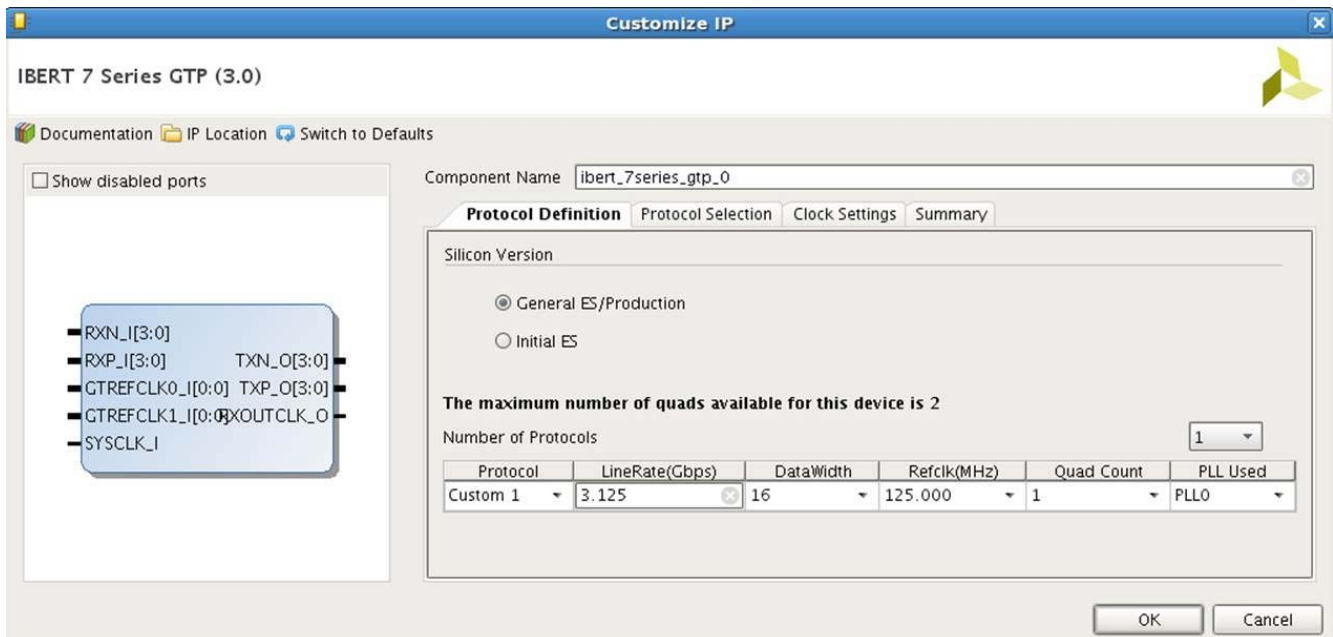


Figure 4-1: Vivado Customize IP Dialog Box – Protocol Definition

1. Choose the number of protocols desired.
2. In the Protocol combination box, select either Custom or a Pre-defined protocol. If Custom, type in the line rate (the rate appears in red text if outside the range allowed).
 - a. Select the data width.
 - b. Choose the REFCLK rate and the number of Quads running at this rate.

Changing the line rate entered changes the choices in the REFCLK combination box.

Protocol Selection

In the **Protocol Selection** tab, the Quads available in the device/package combination are shown. To allocate a Quad to a specific protocol, select it in the **Protocol Selected** combination. The legal choices for the reference clock input are listed in the REFCLK selection combination. After a Quad is allocated to a protocol, the TXUSRCLK source combination is enabled. The TXUSRCLKs are shared among all four channels in the Quad, so use this combination to select which of the four lanes TXOUTCLK should be used for the user clocks.

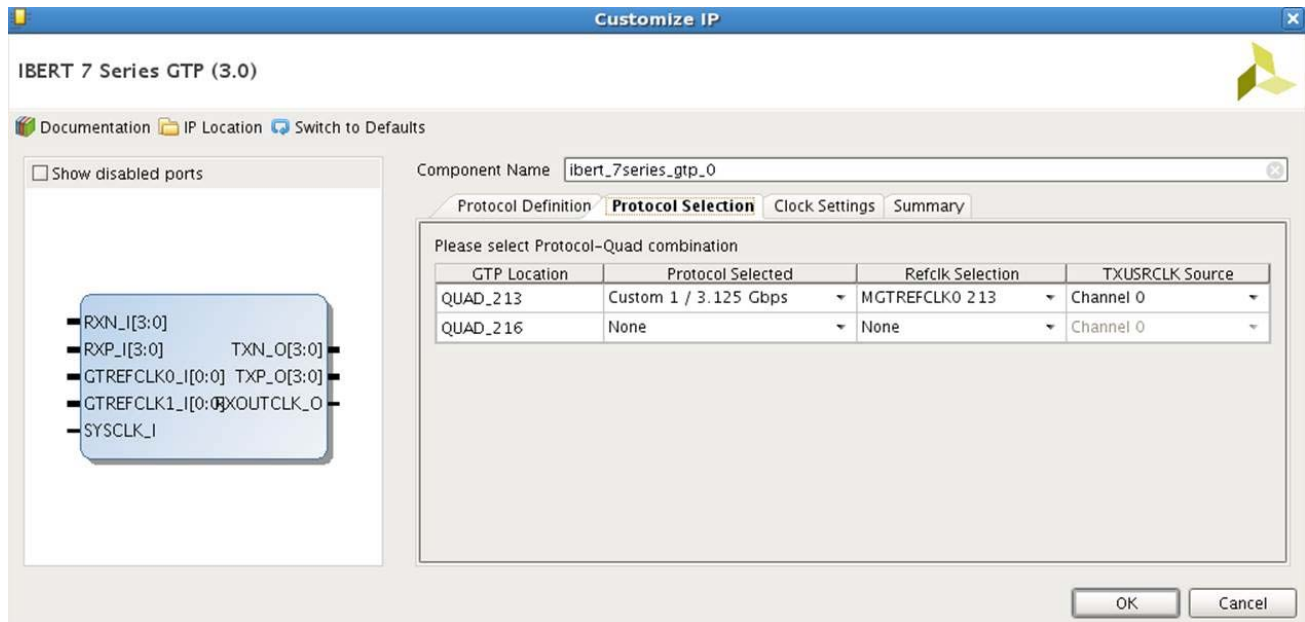


Figure 4-2: Vivado Customize IP Dialog Box – Protocol Selection

Clock Settings

In the **Clock Settings** tab, click the **Add RXOUTCLK Probes** to drive an output pin or pin pair with the RXOUTCLK of lane 0 of the Quad. Select the **I/O Standard** from the list and assign valid pin locations.

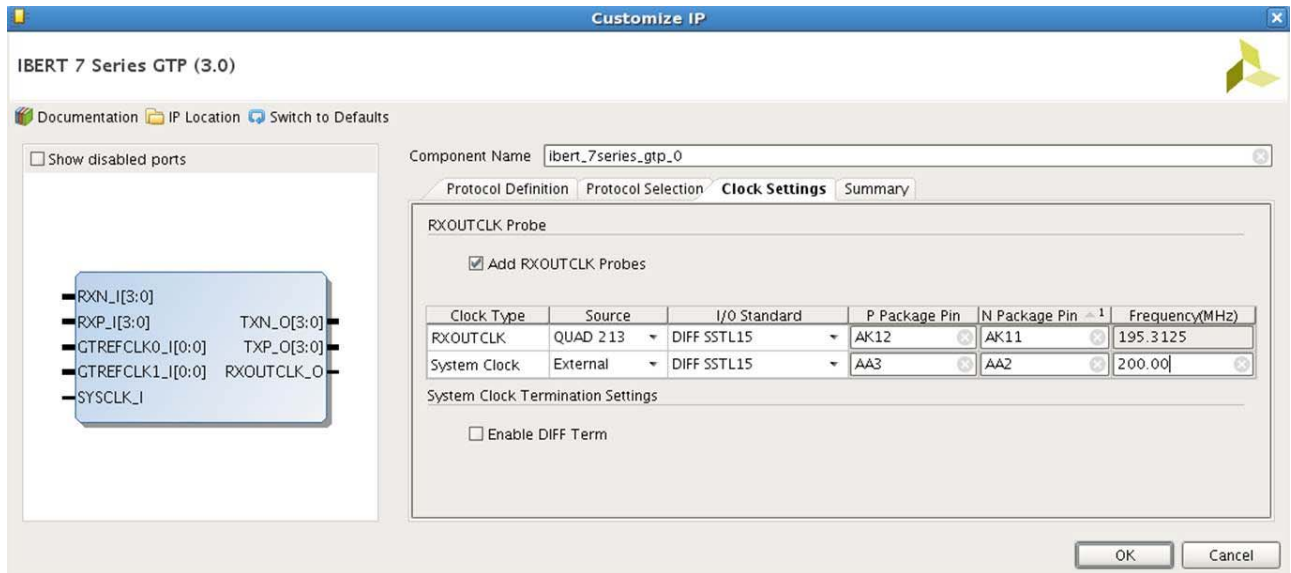


Figure 4-3: Vivado Customize IP Dialog Box – Clock Settings



RECOMMENDED: For the system clock, select an external clock source to drive the system clock of the IBERT design.

Select an **I/O Standard**, valid pin locations, and frequency to complete the system clock settings. Alternatively, any enabled Quad reference clock can be chosen instead.

Summary

Review the settings chosen in the summary page and if they are satisfactory, click **OK** to generate the IBERT core.

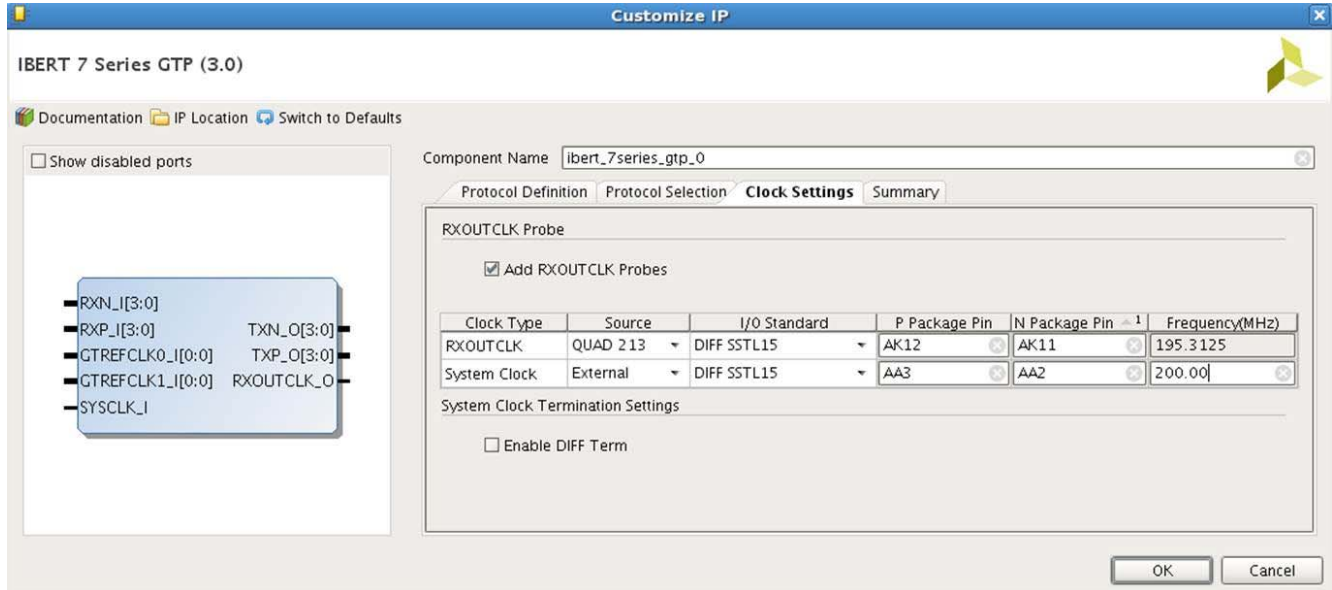


Figure 4-4: Vivado Customize IP Dialog Box –Summary

User Parameters

Table 4-1 shows the relationship between the fields in the Vivado IDE and the User Parameters (which can be viewed in the Tcl Console).

Table 4-1: Vivado IDE Parameter to User Parameter Relationship

Vivado IDE Parameter/Value	User Parameter/Value	Default Value
Component name	C_COMPONENT_NAME	ibert_gtp
Silicon Version	C_SI_VER	General ES/Production
Number of Protocols	C_PROTOCOL_COUNT	1
Protocol	C_PROTOCOL_1	Custom_1
Line Rate (Gb/s)	C_PROTOCOL_MAXLINERATE_1	3.125
Data Width	C_PROTOCOL_DATAWIDTH_1	16
Refclk (MHz)	C_PROTOCOL_RXREFCLK_FREQUENCY_1	125.00
Quad Count	C_PROTOCOL_GT_COUNT_1	1
PLL Used	C_PROTOCOL_USE_QUAD_PLL_1	PLL0
Protocol Selected	C_PROTOCOL_QUAD0	Custom_1/3.125_Gbps
REFCLK Source	C_REFCLK_SOURCE_QUAD_0	REFCLK0
TXUSRCLK Source	C_CHANNEL_QUAD_0	Channel 0

Table 4-1: Vivado IDE Parameter to User Parameter Relationship (Cont'd)

Vivado IDE Parameter/Value	User Parameter/Value	Default Value
Add RXOUTCLK Probe	C_ADD_RXOUTCLK_PROBES	False
Frequency	C_SYSCLOCK_FREQUENCY	200.00
Input Standard	C_SYSCLOCK_IO_PIN_STD	DIFF_SSTL15
P Pin Location	C_SYSCLOCK_IO_PIN_LOC_P	UNASSIGNED
N Pin Location	C_SYSCLOCK_IO_PIN_LOC_N	UNASSIGNED
Enable DIFF Term	C_ENABLE_DIFF_TERM	False

Output Generation

For details, see the *Vivado Design Suite User Guide: Designing with IP* (UG896) [Ref 5].

Constraining the Core

This section contains information about constraining the core in the Vivado Design Suite.

Required Constraints

The IBERT GTP core is generated with its own timing and location constraints, based on the choices the user made when customizing the core. No additional constraints are required.

Device, Package, and Speed Grade Selections

This section is not applicable for this IP core.

Clock Frequencies

This section is not applicable for this IP core.

Clock Management

This section is not applicable for this IP core.

Clock Placement

This section is not applicable for this IP core.

Banking

This section is not applicable for this IP core.

Transceiver Placement

This section is not applicable for this IP core.

I/O Standard and Placement

This section is not applicable for this IP core.

Simulation

This core does not support simulation.

Synthesis and Implementation

For details about synthesis and implementation, see the *Vivado Design Suite User Guide: Designing with IP* (UG896) [Ref 5].

Example Design

This chapter contains information about the example design provided in the Vivado® Design Suite.

An example design can be generated for any customization of the 7 Series FPGAs IBERT core. After you have customized and generated a core instance, right-click the generated core and select **Open IP Example Design** in the Vivado IDE for that instance. A separate Vivado project opens with the IBERT example design as the top-level module. The example design instantiates the customized core. The recommended and supported flow is to use the example design as-is, without modifications outside the Vivado IDE.

The purpose of the IBERT IP example design is to:

- Provide a quick demonstration of the customized core instance operating in hardware through the use of a link status indicator based on PRBS generators and checkers which are part of core and generated during IP generation.
- Provide a system which includes reference clock buffers and example system-level constraints.
- Speed up hardware bring-up and debug through the inclusion of a pattern generator and checker.

The example design contains configurable PRBS generator and checker modules per transceiver channel that enable simple data integrity testing, and resulting link status reporting. The example design is also synthesizable so it can be used to check for data integrity and hardware links, either through loopback or connection to a suitable link partner. All key status signals, driving basic control signals, and hardware I/O interaction can be done using the Serial I/O Analyzer from the Vivado Hardware Manager after downloading the example design generated bit file.

Migrating and Upgrading

This appendix contains information about upgrading to a more recent version of the IP core.

Upgrading in the Vivado Design Suite

This section provides information about any changes to the user logic or port designations between core versions.

Changes from v1.0 to v3.0

Example Design added.

Parameter Changes

No change.

Port Changes

No change.

Other Changes

No change.

Debugging

This appendix includes details about resources available on the Xilinx Support website and debugging tools.

Finding Help on Xilinx.com

To help in the design and debug process when using the IBERT 7 series GTP transceivers, the [Xilinx Support web page](#) contains key resources such as product documentation, release notes, answer records, information about known issues, and links for obtaining further product support.

Documentation

This product guide is the main document associated with the IBERT 7 series GTP transceivers. This guide, along with documentation related to all products that aid in the design process, can be found on the [Xilinx Support web page](#) or by using the Xilinx Documentation Navigator.

Download the Xilinx Documentation Navigator from the [Downloads page](#). For more information about this tool and the features available, open the online help after installation.

Answer Records

Answer Records include information about commonly encountered problems, helpful information on how to resolve these problems, and any known issues with a Xilinx product. Answer Records are created and maintained daily ensuring that users have access to the most accurate information available.

Answer Records for this core can be located by using the Search Support box on the main [Xilinx support web page](#). To maximize your search results, use proper keywords such as

- Product name
- Tool message(s)
- Summary of the issue encountered

A filter search is available after results are returned to further target the results.

Master Answer Record for the IBERT 7 Series GTP Transceivers

AR [54607](#)

Contacting Technical Support

Xilinx provides technical support at the [Xilinx Support web page](#) for this LogiCORE™ IP product when used as described in the product documentation. Xilinx cannot guarantee timing, functionality, or support if you do any of the following:

- Implement the solution in devices that are not defined in the documentation.
- Customize the solution beyond that allowed in the product documentation.
- Change any section of the design labeled DO NOT MODIFY.

To contact Xilinx Technical Support, navigate to the [Xilinx Support web page](#).

Debug Tools

There are many tools available to address IBERT 7 series GTP transceivers design issues. It is important to know which tools are useful for debugging various situations.

Vivado Design Suite Debug Feature

The Vivado® Design Suite debug feature inserts logic analyzer and virtual I/O cores directly into your design. The debug feature also allows you to set trigger conditions to capture application and integrated block port signals in hardware. Captured signals can then be analyzed. This feature in the Vivado IDE is used for logic debugging and validation of a design running in Xilinx devices.

The Vivado logic analyzer is used with the logic debug IP cores, including:

- ILA 2.0 (and later versions)
- VIO 2.0 (and later versions)

See the *Vivado Design Suite User Guide: Programming and Debugging* (UG908) [\[Ref 8\]](#).

License Checkers

If the IP requires a license key, the key must be verified. The Vivado design tools have several license check points for gating licensed IP through the flow. If the license check succeeds, the IP can continue generation. Otherwise, generation halts with error. License checkpoints are enforced by the following tools:

- Vivado Synthesis
- Vivado Implementation
- write_bitstream (Tcl command)



IMPORTANT: *IP license level is ignored at checkpoints. The test confirms a valid license exists. It does not check IP license level.*

Additional Resources and Legal Notices

Xilinx Resources

For support resources such as Answers, Documentation, Downloads, and Forums, see [Xilinx Support](#).

References

These documents provide supplemental material useful with this product guide:

1. *7 Series FPGAs GTP Transceivers User Guide* ([UG482](#))
2. *7 Series FPGAs Overview* ([DS180](#))
3. *Vivado Design Suite User Guide: Designing with IP* ([UG896](#))
4. *Vivado Design Suite User Guide, Programming and Debugging* ([UG908](#))
5. *Vivado® Design Suite User Guide: Designing IP Subsystems using IP Integrator* ([UG994](#))
6. *ISE to Vivado Design Suite Migration Guide* ([UG911](#))
7. *Vivado Design Suite User Guide: Getting Started* ([UG910](#))
8. *Vivado Design Suite User Guide: Implementation* ([UG904](#))

Revision History

The following table shows the revision history for this document.

Date	Version	Revision
06/08/2016	3.0	<ul style="list-style-type: none"> • Example Design added • User Parameters section added
03/20/2013	1.0	Initial Xilinx release of the product guide and replaces DS874.

Please Read: Important Legal Notices

The information disclosed to you hereunder (the "Materials") is provided solely for the selection and use of Xilinx products. To the maximum extent permitted by applicable law: (1) Materials are made available "AS IS" and with all faults, Xilinx hereby DISCLAIMS ALL WARRANTIES AND CONDITIONS, EXPRESS, IMPLIED, OR STATUTORY, INCLUDING BUT NOT LIMITED TO WARRANTIES OF MERCHANTABILITY, NON-INFRINGEMENT, OR FITNESS FOR ANY PARTICULAR PURPOSE; and (2) Xilinx shall not be liable (whether in contract or tort, including negligence, or under any other theory of liability) for any loss or damage of any kind or nature related to, arising under, or in connection with, the Materials (including your use of the Materials), including for any direct, indirect, special, incidental, or consequential loss or damage (including loss of data, profits, goodwill, or any type of loss or damage suffered as a result of any action brought by a third party) even if such damage or loss was reasonably foreseeable or Xilinx had been advised of the possibility of the same. Xilinx assumes no obligation to correct any errors contained in the Materials or to notify you of updates to the Materials or to product specifications. You may not reproduce, modify, distribute, or publicly display the Materials without prior written consent. Certain products are subject to the terms and conditions of Xilinx's limited warranty, please refer to Xilinx's Terms of Sale which can be viewed at <http://www.xilinx.com/legal.htm#tos>; IP cores may be subject to warranty and support terms contained in a license issued to you by Xilinx. Xilinx products are not designed or intended to be fail-safe or for use in any application requiring fail-safe performance; you assume sole risk and liability for use of Xilinx products in such critical applications, please refer to Xilinx's Terms of Sale which can be viewed at <http://www.xilinx.com/legal.htm#tos>.

© Copyright 2013–2016 Xilinx, Inc. Xilinx, the Xilinx logo, Artix, ISE, Kintex, Spartan, Virtex, Vivado, Zynq, and other designated brands included herein are trademarks of Xilinx in the United States and other countries. All other trademarks are the property of their respective owners.