

Xilinx Timing Constraints User Guide

UG612 (v1.0.0) December 9, 2008





Xilinx is disclosing this user guide, manual, release note, and/or specification (the "Documentation") to you solely for use in the development of designs to operate with Xilinx hardware devices. You may not reproduce, distribute, republish, download, display, post, or transmit the Documentation in any form or by any means including, but not limited to, electronic, mechanical, photocopying, recording, or otherwise, without the prior written consent of Xilinx. Xilinx expressly disclaims any liability arising out of your use of the Documentation. Xilinx reserves the right, at its sole discretion, to change the Documentation without notice at any time. Xilinx assumes no obligation to correct any errors contained in the Documentation, or to advise you of any corrections or updates. Xilinx expressly disclaims any liability in connection with technical support or assistance that may be provided to you in connection with the Information.

THE DOCUMENTATION IS DISCLOSED TO YOU "AS-IS" WITH NO WARRANTY OF ANY KIND. XILINX MAKES NO OTHER WARRANTIES, WHETHER EXPRESS, IMPLIED, OR STATUTORY, REGARDING THE DOCUMENTATION, INCLUDING ANY WARRANTIES OF MERCHANTABILITY, FITNESS FOR A PARTICULAR PURPOSE, OR NONINFRINGEMENT OF THIRD-PARTY RIGHTS. IN NO EVENT WILL XILINX BE LIABLE FOR ANY CONSEQUENTIAL, INDIRECT, EXEMPLARY, SPECIAL, OR INCIDENTAL DAMAGES, INCLUDING ANY LOSS OF DATA OR LOST PROFITS, ARISING FROM YOUR USE OF THE DOCUMENTATION.

© 2002–2008 Xilinx, Inc. All rights reserved.

XILINX, the Xilinx logo, the Brand Window, and other designated brands included herein are trademarks of Xilinx, Inc. All other trademarks are the property of their respective owners

Preface: About the Xilinx Timing Constraints User Guide

Xilinx Timing Constraints User Guide Contents	3
Additional Resources	3
Conventions	3
Typographical	4
Online Document	4

Chapter 1: Introduction to the Xilinx Timing Constraints User Guide

Chapter 2: Timing Constraint Methodology

About Timing Constraint Methodology	9
Basic Constraints Methodology	10
Input Timing Constraints	10
About Input Timing Constraints	11
System Synchronous Inputs	11
Source Synchronous Inputs	12
Register-To-Register Timing Constraints	14
About Register-To-Register Timing Constraints	14
Automatically Related Synchronous DCM/PLL Clock Domains	15
Manually Related Synchronous Clock Domains	15
Asynchronous Clock Domains	17
Output Timing Constraints	18
System Synchronous Output	18
Source Synchronous Outputs	20
Timing Exceptions	21
False Paths	22
Multi-Cycle Paths	22

Chapter 3: Timing Constraint Principles

Constraint System	25
About the Constraint System	25
DLL/DCM/PLL/BUFR/PMCD Components	26
About DLL/DCM/PLL/BUFR/PMCD Components	26
Transformation Conditions	27
New PERIOD Constraints on DCM Outputs	27
Synchronous Elements	28
Analysis with NET PERIOD	29
PHASE Keyword	29
DLL/DCM/PLL Manipulation with PHASE	29
Timing Group Creation with TNM/TNM_NET Attributes	30
About Timing Group Creation with TNM/TNM_NET Attributes	30
Net Connectivity (NET)	31
Predefined Time Groups	32
Propagation Rules for TNM_NET	33
Instance or Hierarchy	34
Instance Pin	38
Grouping Constraints	39
Pattern Matching	40
Time Group Examples	41

Constraint Priorities	43
Timing Constraints	44
About Timing Constraints	44
Timing Constraint Exceptions	45
Setting Timing Constraint Requirements	45
PERIOD Constraints	45
About PERIOD Constraints	45
Related TIMESPEC PERIOD Constraints	46
Paths Covered by PERIOD Constraints	48
OFFSET Constraints	50
About OFFSET Constraints	51
Paths Covered by OFFSET Constraints	53
FROM:TO (Multi-Cycle) Constraints	55
About FROM:TO (Multi-Cycle) Constraints	55
False Paths or Timing Ignore (TIG) Constraint	59
Paths Covered by FROM:TO Constraints	60
Timing Constraint Syntax	61
Creating Timing Constraints	61
Timing Constraint Analysis	62
About Timing Constraint Analysis	62
PERIOD Constraints	62
About PERIOD Constraints	63
Gated Clocks	63
Single Clock Domain	64
Two-Phase Clock Domain	64
Multiple Clock Domains	66
Clocks from DCM outputs	66
Clk0 Clock Domain	66
Clk90 Clock Domain	67
Clk2x Clock Domain	68
CLKDV/CLKFX Clock Domain	69
FROM:TO (Multi-Cycle) Constraints	70
OFFSET IN Constraints	72
About OFFSET IN Constraints	72
OFFSET IN BEFORE Constraints	73
OFFSET IN AFTER Constraints	80
OFFSET OUT Constraints	80
About OFFSET OUT Constraints	80
OFFSET OUT AFTER Constraints	81
OFFSET OUT BEFORE Constraints	86
Clock Skew	87
Clock Uncertainty	90
Asynchronous Reset Paths	91

About the Xilinx Timing Constraints User Guide

This chapter provides general information about this Guide, and includes:

- [“Xilinx Timing Constraints User Guide Contents”](#)
- [“Additional Resources”](#)
- [“Conventions”](#)

Xilinx Timing Constraints User Guide Contents

The Xilinx Timing Constraints User Guide contains the following chapters:

- [Chapter 1, “Introduction to the Xilinx Timing Constraints User Guide”](#)
- [Chapter 2, “Timing Constraint Methodology”](#)
- [Chapter 3, “Timing Constraint Principles”](#)

Additional Resources

For additional documentation, see the Xilinx website at:

<http://www.xilinx.com/literature>.

To search the Answer Database of silicon, software, and IP questions and answers, or to create a technical support WebCase, see the Xilinx website at:

<http://www.xilinx.com/support>.

Conventions

This document uses the following conventions. An example illustrates each convention.

- [“Typographical”](#)
- [“Online Document”](#)

Typographical

The following typographical conventions are used in this document:

Convention	Meaning or Use	Example
Courier font	Messages, prompts, and program files that the system displays	speed grade: - 100
Courier bold	Literal commands that you enter in a syntactical statement	ngdbuild <i>design_name</i>
Helvetica bold	Commands that you select from a menu	File > Open
	Keyboard shortcuts	Ctrl+C
<i>Italic font</i>	Variables in a syntax statement for which you must supply values	ngdbuild <i>design_name</i>
	References to other manuals	See the <i>Development System Reference Guide</i> for more information.
	Emphasis in text	If a wire is drawn so that it overlaps the pin of a symbol, the two nets are <i>not</i> connected.
Square brackets []	An optional entry or parameter. They are required in bus specifications, such as bus [7:0] ,	ngdbuild [<i>option_name</i>] <i>design_name</i>
Braces { }	A list of items from which you must choose one or more	lowpwr = {on off}
Vertical bar	Separates items in a list of choices	lowpwr = {on off}
Vertical ellipsis . . .	Repetitive material that has been omitted	IOB #1: Name = QOUT' IOB #2: Name = CLKIN' . . .
Horizontal ellipsis ...	Repetitive material that has been omitted	allow block <i>block_name</i> <i>loc1 loc2 ... locn;</i>

Online Document

The following conventions are used in this document:

Convention	Meaning or Use	Example
Blue text	Cross-reference link to a location in the current file or in another file in the current document	See the section " Additional Resources " for details. Refer to " Title Formats " in Chapter 1 for details.

Convention	Meaning or Use	Example
Red text	Cross-reference link to a location in another document	See Figure 2-5 in the <i>Virtex-II Platform FPGA User Guide</i> .
<u>Blue, underlined text</u>	Hyperlink to a website (URL)	Go to http://www.xilinx.com for the latest speed files.

Introduction to the Xilinx Timing Constraints User Guide

The *Xilinx® Timing Constraints User Guide* is written specifically to address timing closure in high-performance applications. The guide is designed for all FPGA designers, from beginners to advanced. The high performance of today's Xilinx devices can overcome the speed limitations of other technologies and older devices. Designs that formerly only fit or ran at high clock frequencies in an ASIC device are finding their way into Xilinx FPGA devices. In addition, it is imperative that designers have a proven methodology for obtaining their performance objectives.

This Guide discusses:

- The fundamentals of timing constraints, including:
 - ◆ “PERIOD Constraints”
 - ◆ “OFFSET IN Constraints”
 - ◆ “OFFSET OUT Constraints”
 - ◆ “FROM:TO (Multi-Cycle) Constraints”
- The ability to group elements and provided a better understanding of the constraint system software
- Information about the analysis of the basic constraints, with clock skew and clock uncertainty

Timing Constraint Methodology

This chapter discusses Timing Constraint Methodology, and includes:

- [“About Timing Constraint Methodology”](#)
- [“Basic Constraints Methodology”](#)
- [“Input Timing Constraints”](#)
- [“Register-To-Register Timing Constraints”](#)
- [“Output Timing Constraints”](#)
- [“Timing Exceptions”](#)

About Timing Constraint Methodology

You must have a proven methodology in order to meet your design objectives. This chapter outlines the process to:

- Understand the design requirements
- Constrain the design to meet these requirements

Before starting a design, you must understand:

- The performance requirements of the system
- The features of the target device

This knowledge allows you to use proper coding techniques utilizing the features of the device to give the best performance.

The FPGA device requirements depend on the system and the upstream and downstream devices. Once the interfaces to the FPGA device are known, the internal requirements can be outlined. How to meet these requirements depends on the device and its features.

You should understand:

- The device clocking structure
- RAM and DSP blocks
- Any hard IP contained within the device

For more information, see the device User Guide.

Timing constraints communicate all design requirements to the implementation tools. This also implies that all paths are covered by the appropriate constraint. This chapter provides general guidelines that explain the strategy for identifying and constraining the most common timing paths in FPGA devices as efficiently as possible.

Basic Constraints Methodology

Timing requirements fall into into several global categories depending on the type of path to be covered.

The most common types of path categories include:

- Input paths
- Synchronous element to synchronous element paths
- Path specific exceptions
- Output Paths

A Xilinx® timing constraint is associated with each of these global constraint types. The most efficient way to specify these constraints is to begin with global constraints and add path specific exceptions as needed. In many cases, only the global constraints are required.

The FPGA device implementation tools are driven by the specified timing requirements. They assign device resources and expend the appropriate amount of effort necessary to ensure the timing requirements are met. However, when a requirement is over-constrained - or specified as a value greater than the design requirement - the effort spent by the tools to meet this constraint increases significantly. This extra effort results in increased memory use and tool runtime.

More importantly, over-constraint can result in loss of performance, not only for the constraint in question, but for other constraints as well. For this reason, Xilinx recommends that you specify the constraint values using the actual design requirements.

Xilinx recommends that you always comment the constraints file. This allows other designers to understand why each constraint is used.

Include in your comments:

- Source of the constraint
- Whether the PERIOD constraint is based on an external clock

This Guide uses UCF constraint syntax examples. This format passes the design requirements to the implementation tools. However, the easiest way to enter design constraints is to use Constraints Editor.

Constraints Editor:

- Provides a unified location in which to manage all the timing constraints associated with a design
- Provides assistance in creating timing constraints from the design requirements in UCF syntax

Input Timing Constraints

This section discusses Input Timing Constraints and includes:

- [“About Input Timing Constraints”](#)
- [“System Synchronous Inputs”](#)
- [“Source Synchronous Inputs”](#)

About Input Timing Constraints

Input timing covers the data path from the external pin of the FPGA device to the internal register that captures that data. The constraint used to specify the input timing is the OFFSET IN constraint. The best way to specify the input timing requirements depends on the type (source/system synchronous) and single data rate (SDR) or double data rate (DDR) of the interface.

The OFFSET IN constraint defines the relationship between the data and the clock edge used to capture that data at the pins of the FPGA device. When analyzing the OFFSET IN constraint, the timing analysis tools automatically take all internal factors affecting the delay of the clock and data into account. These factors include:

- Frequency and phase transformations of the clock
- Clock uncertainties
- Data delay adjustments

In addition to the automatic adjustments, you may also add additional input clock uncertainty to the PERIOD constraint associated with the interface clock.

For more information on adding INPUT_JITTER, see “PERIOD Constraints” in Chapter 3, “Timing Constraint Principles.”

The OFFSET IN constraint is associated with a single input clock. By default, the OFFSET IN constraint covers all paths from the input pads of the FPGA device to the internal synchronous elements that capture that data and are triggered by the specified OFFSET IN clock. This application of the OFFSET IN constraint is called the *global* method. It is the most efficient way to specify input timing.

System Synchronous Inputs

In a system synchronous interface, a common system clock both transfers and captures the data. This interface uses a common system clock. The board trace delays and clock skew limit the operating frequency of the interface. The lower frequency also results in the system synchronous input interface typically being an SDR application.

In the system synchronous SDR application example, shown in Figure 2-1, “Simplified System Synchronous interface with associated SDR timing,” the data is transmitted from the source device on one rising clock edge and captured in the FPGA device on the next rising clock edge.

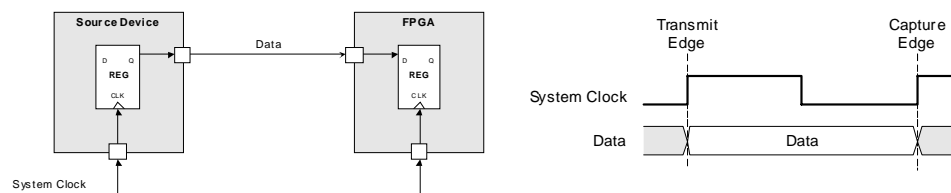


Figure 2-1: Simplified System Synchronous interface with associated SDR timing

The global OFFSET IN constraint is the most efficient way to specify the input timing for a system synchronous interface. In this method, one OFFSET IN constraint is defined for each system synchronous input interface clock. This single constraint covers the paths of

all input data bits that are captured in synchronous elements triggered by the specified input clock.

To specify the input timing:

- Define the clock PERIOD constraint for the input clock associated with the interface
- Define the global OFFSET IN constraint for the interface

Example

A timing diagram for an ideal System Synchronous SDR interface is shown in [Figure 2-2, “Timing diagram for an ideal System Synchronous SDR interface.”](#) The interface has a clock period of 5 ns, The data for both bits of the bus remains valid for the entire period.

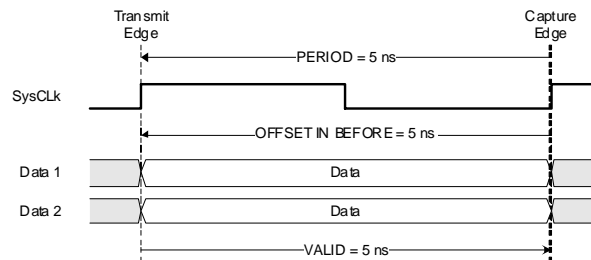


Figure 2-2: Timing diagram for an ideal System Synchronous SDR interface

The global OFFSET IN constraint is:

```
OFFSET = IN value VALID value BEFORE clock;
```

In the OFFSET IN constraint, the **OFFSET=IN <value>** determines the time from the capturing clock edge to the time in which data first becomes valid. In this system synchronous example, the data becomes valid 5 ns prior to the capturing clock edge. In the OFFSET IN constraint, the **VALID <value>** determines the duration in which data remains valid. In this example, the data remains valid for 5 ns.

For this example, the complete OFFSET IN specification with associated PERIOD constraint is:

```
NET "SysClk" TNM_NET = "SysClk";
TIMESPEC "TS_SysClk" = PERIOD "SysClk" 5 ns HIGH 50%;
OFFSET = IN 5 ns VALID 5 ns BEFORE "SysClk";
```

This global constraint covers both the data bits of the bus:

- **data1**
- **data2**

Source Synchronous Inputs

In a source synchronous input interface, a clock is regenerated and transmitted along with the data from the source device along similar board traces. This clock is then used to capture the data in the FPGA device. The board trace delays and board skew no longer limit the operating frequency of the interface. The higher frequency also results in the source synchronous input interface typically being a dual data rate (DDR) application. In this source synchronous DDR application example, shown in [Figure 2-3, “Simplified Source Synchronous input interface with associated DDR timing,”](#) unique data is

transmitted from the source device on both the rising and falling clock edges and captured in the FPGA device using the regenerated clock.

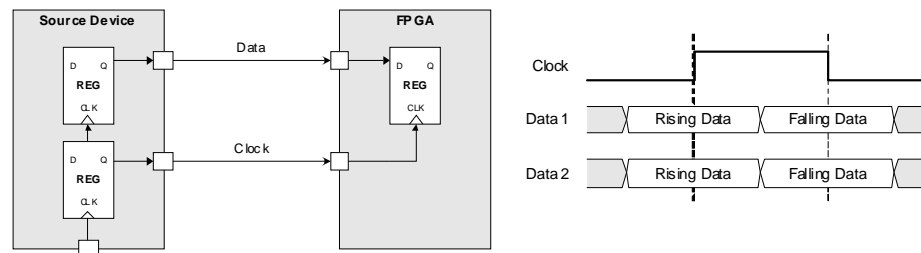


Figure 2-3: Simplified Source Synchronous input interface with associated DDR timing

The global OFFSET IN constraint is the most efficient way to specify the input timing for a source synchronous interface. In the DDR interface, one OFFSET IN constraint is defined for each edge of the input interface clock. These constraints cover the paths of all input data bits that are captured in registers triggered by the specified input clock edge.

To specify the input timing:

- Define the clock PERIOD constraint for the input clock associated with the interface
- Define the global OFFSET IN constraint for the rising edge (RISING) of the interface
- Define the global OFFSET IN constraint for the falling edge (FALLING) of the interface

Example

A timing diagram for an ideal Source Synchronous DDR interface is shown in Figure 2-4, “Timing diagram for ideal Source Synchronous DDR.” The interface has a clock period of 5 ns with a 50/50 duty cycle. The data for both bits of the bus remains valid for the entire ½ period.

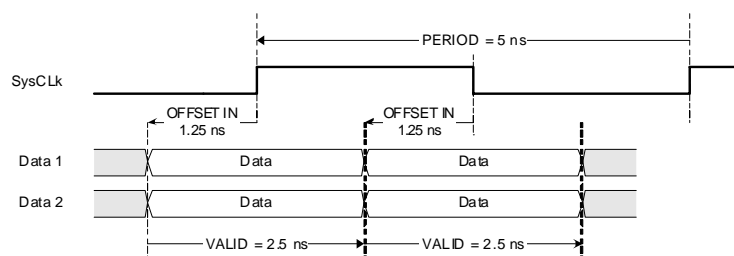


Figure 2-4: Timing diagram for ideal Source Synchronous DDR

The global OFFSET IN constraint for the DDR case is:

```
OFFSET = IN value VALID value BEFORE clock RISING;
OFFSET = IN value VALID value BEFORE clock FALLING;
```

In the OFFSET IN constraint, **OFFSET=IN <value>** determines the time from the capturing clock edge in which data first becomes valid. In this source synchronous input example, the rising data becomes valid 1.25 ns prior to the rising clock edge. The falling data also becomes valid 1.25 ns prior to the falling clock edge. In the OFFSET IN constraint,

the **VALID** *<value>* determines the duration in which data remains valid. In this example, both the rising and falling data remains valid for 2.5 ns.

For this example, the complete OFFSET IN specification with associated PERIOD constraint is:

```
NET "SysClk" TNM_NET = "SysClk";
TIMESPEC "TS_SysClk" = PERIOD "SysClk" 5 ns HIGH 50%;

OFFSET = IN 1.25 ns VALID 2.5 ns BEFORE "SysClk" RISING;
OFFSET = IN 1.25 ns VALID 2.5 ns BEFORE "SysClk" FALLING;
```

This global constraint covers both the data bits of the bus:

- **data1**
- **data2**

Register-To-Register Timing Constraints

This section discusses Register-To-Register Timing Constraints and includes:

- [“About Input Timing Constraints”](#)
- [“Automatically Related Synchronous DCM/PLL Clock Domains”](#)
- [“Manually Related Synchronous Clock Domains”](#)
- [“Asynchronous Clock Domains”](#)

About Register-To-Register Timing Constraints

Register-to-register or *synchronous element to synchronous element* path constraints cover the synchronous data paths between internal registers. The PERIOD constraint:

- Defines the timing requirements of the clock domains
- Analyzes the paths within a single clock domain
- Analyzes all paths between related clock domains
- Takes into account all frequency, phase, and uncertainty differences between the clock domains during analysis

For more information, see [“PERIOD Constraints”](#) in [Chapter 3, “Timing Constraint Principles.”](#)

The application and methodology for constraining synchronous clock domains falls under several common cases. These categories include:

- [“Automatically Related Synchronous DCM/PLL Clock Domains”](#)
- [“Manually Related Synchronous Clock Domains”](#)
- [“Asynchronous Clock Domains”](#)

By allowing the tools to automatically create clock relationships for DLL/DCM/PLL output clocks, and manually defining relationships for externally related clocks, all synchronous cross clock domain paths are covered by the appropriate constraints, and properly analyzed. Using PERIOD constraints that follow this methodology eliminates the need for additional cross-clock-domain constraints.

Automatically Related Synchronous DCM/PLL Clock Domains

The most common type of clock circuit is one in which:

- The input clock is fed into a DLL/DCM/PLL
- The outputs are used to clock the synchronous paths in the device

In this case, the recommended methodology is to define a PERIOD constraint on the input clock to the DLL/DCM/PLL.

By placing the PERIOD constraint on the input clock, the Xilinx tools automatically:

- Derive a new PERIOD constraint for each of the DLL/DCM/PLL output clocks
- Determine the clock relationships between the output clock domains, and automatically perform an analysis for any paths between these clock domains.

Example

The circuit of an input clock driving a DCM is shown in [Figure 2-5, “The input clock of the design goes to a DCM example.”](#)

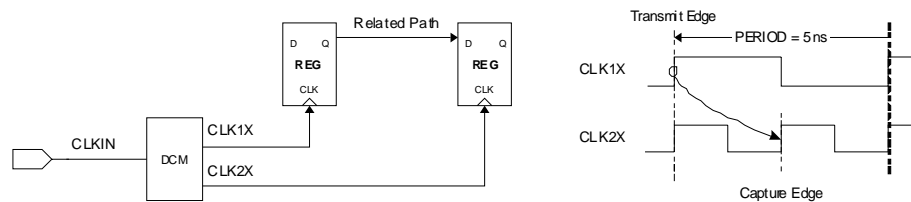


Figure 2-5: The input clock of the design goes to a DCM example

The PERIOD constraint syntax for this example is:

```
NET "ClockName" TNM_NET = "TNM_NET_Name";
TIMESPEC "TS_name" = PERIOD "TNM_NET_Name" PeriodValue HIGH HighValue%;
```

In the PERIOD constraint, the **PeriodValue** defines the duration of the clock period. In this case, the input clock to the DCM has a period of 5 ns. The **HighValue** of the PERIOD constraint defines the percent of the clock waveform that is HIGH. In this example, the waveform has a 50/50 duty cycle resulting in a **HighValue** of 50%.

The syntax for this example is:

```
NET "ClkIn" TNM_NET = "ClkIn";
TIMESPEC "TS_ClkIn" = PERIOD "ClkIn" 5 ns HIGH 50%;
```

Based on the input clock PERIOD constraint given above, the DCM automatically:

- Creates two output clock constraints for the DCM outputs
- Performs analysis between the two domains

Manually Related Synchronous Clock Domains

In some cases the relationship between synchronous clock domains can not be automatically determined by the tools - for example, when related clocks enter the FPGA device on separate pins. In this case, Xilinx recommends that you:

- Define a separate PERIOD constraint for each input clock
- Define a manual relationship between the clocks

Once you define the manual relationship, all paths between the two synchronous domains are automatically analyzed. The analysis takes into account all frequency, phase, and uncertainty information.

The Xilinx constraints system allows you to define complex manual relationships between clock domains using the PERIOD constraint including clock frequency and phase transformations.

To define complex manual relationships between clock domains using the PERIOD constraint:

- Define the PERIOD constraint for the primary clock
- Define the PERIOD constraint for the related clock using the first PERIOD constraint as a reference

For more information on using the PERIOD constraint to define clock relationships, see “PERIOD Constraints” in Chapter 3, “Timing Constraint Principles.”

Two related clocks enter the FPGA device through separate external pins, as shown in Figure 2-6, “Two related clocks entering the FPGA device through separate external pins.”

- The first clock (CLK1X) is the primary clock
- The second clock (CLK2X180) is the related clock

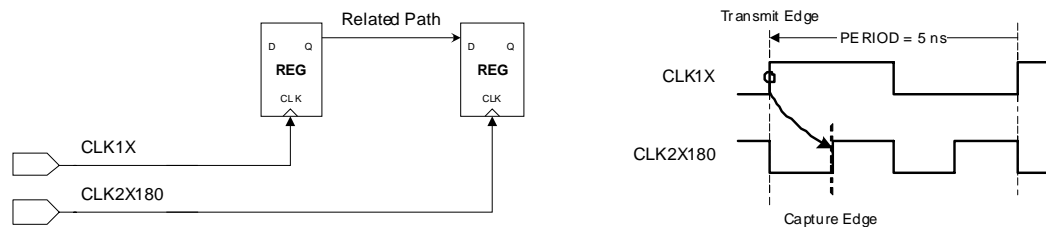


Figure 2-6: Two related clocks entering the FPGA device through separate external pins

The PERIOD constraint syntax for this example is:

```
NET "PrimaryClock" TNM_NET = "TNM_Primary";
NET "RelatedClock" TNM_NET = "TNM_Related";
TIMESPEC "TS_primary" = PERIOD "TNM_Primary" PeriodValue HIGH
HighValue%;
TIMESPEC "TS_related" = PERIOD "TNM_Related" TS_Primary_relation PHASE
value;
```

In the related PERIOD definition, the PERIOD value is defined as a time unit (period) relationship to the primary clock. The relationship is expressed in terms of the primary clock TIMESPEC. In this example CLK2X180 operates at twice the frequency of CLK1X which results in a PERIOD relationship of one-half.

In the related PERIOD definition, the PHASE value defines the difference in time between the rising clock edge of the source clock and the related clock. In this example, since the CLK2X180 clock is 180 degrees shifted, the rising edge begins 1.25 ns after the rising edge of the primary clock.

The syntax for this example is:

```
NET "Clk1X" TNM_NET = "Clk1X";
NET "Clk2X180" TNM_NET = "Clk2X180";

TIMESPEC "TS_Clk1X" = PERIOD "Clk1X" 5 ns;
TIMESPEC "TS_Clk2X180" = PERIOD "Clk2X180" TS_Clk1X/2 PHASE + 1.25 ns ;
```

Asynchronous Clock Domains

Asynchronous clock domains are those in which the source and destination clocks do not have a frequency or phase relationship. Since the clocks are not related, it is not possible to determine the final relationship for setup and hold time analysis. For this reason, Xilinx recommends that you use proper asynchronous design techniques to ensure the successful capture of data. One example of proper asynchronous design technique is to use a FIFO design element to capture and transfer data between asynchronous clock domains. While not required, in some cases you may wish to constrain the maximum data path delay in isolation without regard to clock path frequency or phase relationship.

The Xilinx constraints system allows you to constrain the maximum data path delay without regard to source and destination clock frequency and phase relationship. This requirement is specified using the FROM-TO constraint with the DATAPATHONLY keyword.

To constrain of the maximum data path delay without regard to source and destination clock frequency and phase relationship:

- Define a time group for the source synchronous elements
- Define a time group for the destination synchronous elements
- Define the maximum delay of the data paths using the FROM-TO constraint between the two time groups with DATAPATHONLY keyword.

For more information on using the FROM-TO constraint with the DATAPATHONLY keyword, see [“FROM:TO \(Multi-Cycle\) Constraints”](#) in Chapter 3, [“Timing Constraint Principles.”](#)

Example

Two unrelated clocks enter the FPGA device through separate external pins as shown in [Figure 2-7, “Two unrelated clocks entering the FPGA device through separate external pins.”](#)

- The first clock (CLKA) is the source clock
- The second clock (CLKB) is the destination clock

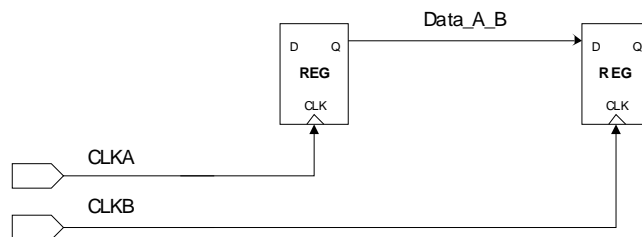


Figure 2-7: Two unrelated clocks entering the FPGA device through separate external pins

The syntax for this example is:

```
NET "CLKA" TNM_NET = FFS "GRP_A";
NET "CLKB" TNM_NET = FFS "GRP_B";
TIMESPEC TS_Example = FROM "GRP_A" TO "GRP_B" 5 ns DATAPATHONLY;
```

Output Timing Constraints

Output timing covers the data path from a register inside the FPGA device to the external pin of the FPGA device. The OFFSET OUT constraint specifies the output timing. The best way to specify the output timing requirements depends on the type (source/system synchronous) and SDR/DDR of the interface.

The OFFSET OUT constraint defines the maximum time allowed for data to be transmitted from the FPGA device. The output delay path begins at the input clock pin of the FPGA device and continues through the output register to the data pins of the FPGA device, as shown in [Figure 2-8, “Output-timing constraints from input clock pad to the output data pad.”](#)

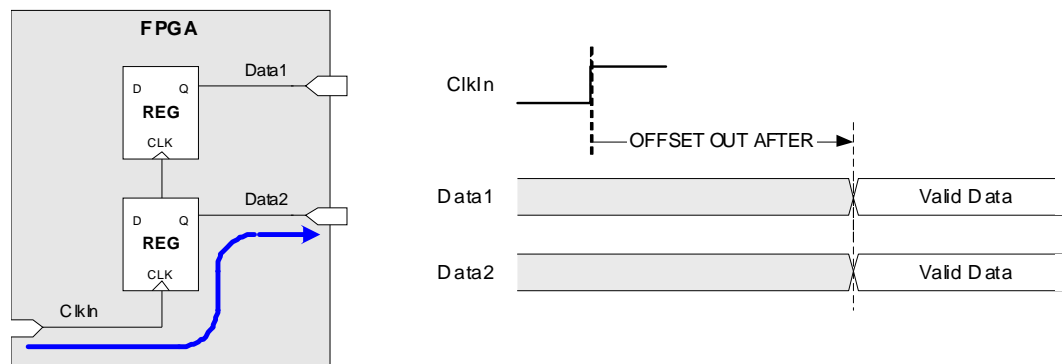


Figure 2-8: Output-timing constraints from input clock pad to the output data pad

When analyzing the OFFSET OUT constraint, the timing tools automatically take all internal factors affecting the delay of the clock and data paths into account. These factors include:

- Frequency and phase transformations of the clock
- Clock uncertainties
- Data path delay adjustments

For more information, see [“OFFSET OUT Constraints”](#) in [Chapter 3, “Timing Constraint Principles.”](#)

System Synchronous Output

The system synchronous output interface is an interface in which a common system clock is used to both transfer and capture the data. Since this interface uses a common system clock, only the data is transmitted from the FPGA device to the receiving device as shown

in Figure 2-9, “Simplified System Synchronous output interface with associated SDR timing.”

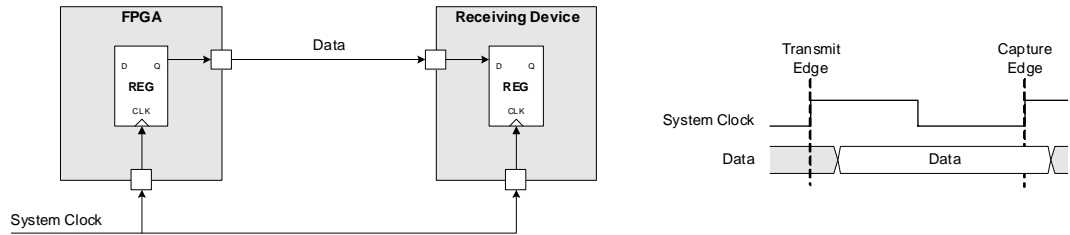


Figure 2-9: Simplified System Synchronous output interface with associated SDR timing

If these paths must be constrained, the global OFFSET OUT constraint is the most efficient way to specify the output timing for the system synchronous interface. In the global method, one OFFSET OUT constraint is defined for each system synchronous output interface clock. This single constraint covers the paths of all output data bits sent from registers triggered by the specified input clock.

To specify the output timing:

- Define a time name (TNM) for the output clock to create a time group, which contains all output registers triggered, by the input clock
- Define the global OFFSET OUT constraint for the interface

Example

A timing diagram for a System Synchronous SDR output interface is shown in Figure 2-10, “Timing diagram for System Synchronous SDR output interface.” The data in this example must become valid at the output pins a maximum of 5 ns after the input clock edge at the pin of the FPGA device.

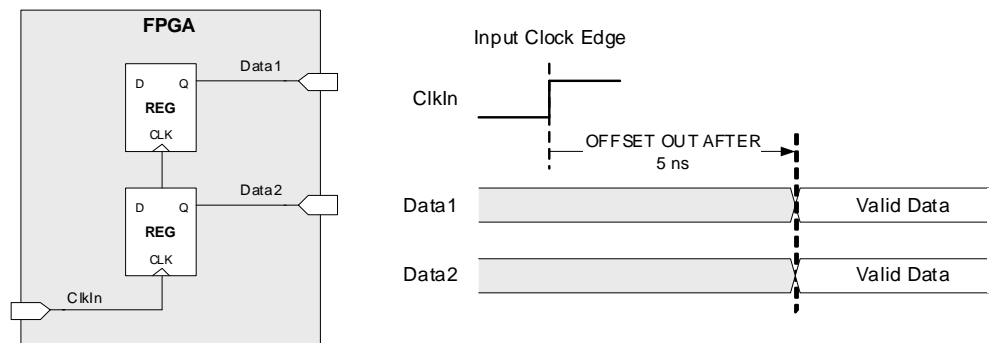


Figure 2-10: Timing diagram for System Synchronous SDR output interface

The global OFFSET OUT constraint for the system synchronous interface is:

OFFSET = OUT value AFTER clock;

In the OFFSET OUT constraint, **OFFSET=OUT <value>** determines the maximum time from the rising clock edge at the input clock port until the data first becomes valid at the data output port of the FPGA device. In this system synchronous example, the output data must become valid at least 5 ns after the input clock edge.

For this example, the complete OFFSET OUT specification is:

```
NET "ClkIn" TNM_NET = "ClkIn";
OFFSET = OUT 5 ns AFTER "ClkIn";
```

This global constraint covers both the data bits of the bus:

- **data1**
- **data2**

Source Synchronous Outputs

The source synchronous output interface is an interface in which a clock is regenerated and transmitted along with the data from the FPGA device. The regenerated clock is transmitted along with the data. The interface is primarily limited in performance by system noise and the skew between the regenerated clock and the data bits, as shown in [Figure 2-11, “Simplified Source Synchronous output interface with associated DDR timing.”](#) In this interface, the time from the input clock edge to the output data becoming valid is not as important as the skew between the output data bits. In most cases, it can be left unconstrained.

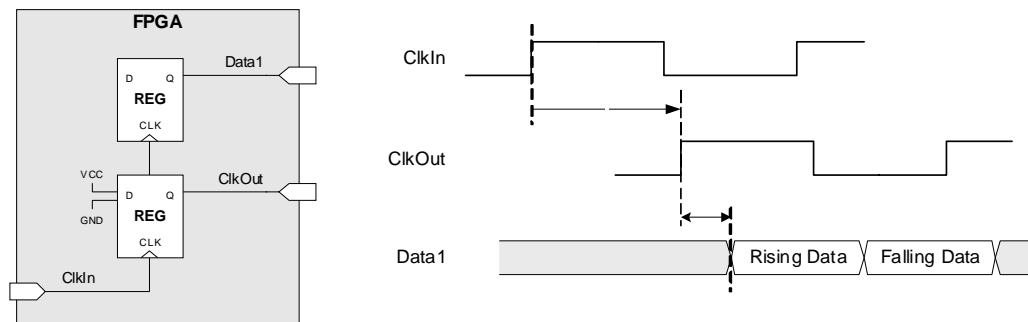


Figure 2-11: Simplified Source Synchronous output interface with associated DDR timing

The global OFFSET OUT constraint is the most efficient way to specify the output timing for a source synchronous interface. In the DDR interface, one OFFSET OUT constraint is defined for each edge of the output interface clock. These constraints cover the paths of all output data bits that are transmitted by registers triggered with the specified output clock edge.

To specify the input timing:

- Define a time name (TNM) for the output clock to create a time group which contains all output registers triggered by the output clock
- Define the global OFFSET OUT constraint for the rising edge (RISING) of the interface
- Define the global OFFSET OUT constraint for the falling edge (FALLING) of the interface

Example

A timing diagram for an ideal Source Synchronous DDR interface is shown in [Figure 2-12, “Timing diagram for an ideal Source Synchronous DDR.”](#) The interface has a clock period

of 5 ns with a 50/50 duty cycle. The data for both bits of the bus remains valid for the entire ½ period.

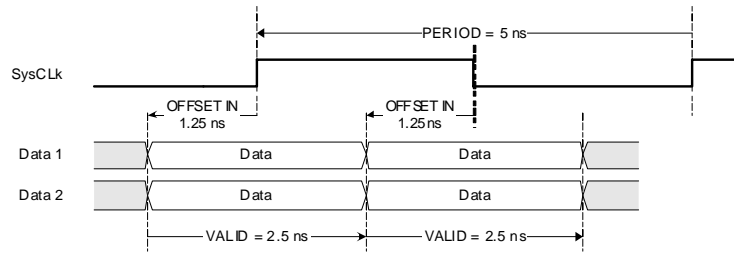


Figure 2-12: Timing diagram for an ideal Source Synchronous DDR

The global OFFSET IN constraint for the DDR case is:

```
OFFSET = IN value VALID value BEFORE clock RISING;
OFFSET = IN value VALID value BEFORE clock FALLING;
```

In the OFFSET IN constraint, **OFFSET=IN <value>** determines the time from the capturing clock edge in which data first becomes valid. In this source synchronous input example, the rising data becomes valid 1.25 ns prior to the rising clock edge and the falling data also becomes valid 1.25 ns prior to the falling clock edge. In the OFFSET IN constraint, **VALID <value>** determines the duration in which data remains valid. In this example, both the rising and falling data remains valid for 2.5 ns.

For this example, the complete OFFSET IN specification with associated PERIOD constraint is:

```
NET "SysClk" TNM_NET = "SysClk";
TIMESPEC "TS_SysClk" = PERIOD "SysClk" 5 ns HIGH 50%;

OFFSET = IN 1.25 ns VALID 2.5 ns BEFORE "SysClk" RISING;
OFFSET = IN 1.25 ns VALID 2.5 ns BEFORE "SysClk" FALLING;
```

In the OFFSET OUT constraint, **OFFSET=OUT <value>** determines the maximum time from the rising clock edge at the input clock port until the data first becomes valid at the data output port of the FPGA device. When **<value>** is omitted from the OFFSET OUT constraint, the constraint becomes a report-only specification which reports the skew of the output bus. The REFERENCE_PIN keyword defines the regenerated output clock as the reference point against which the skew of the output data pins is reported.

For this example, the complete OFFSET OUT specification for both the rising and falling clock edges is :

```
NET "ClkIn" TNM_NET = "ClkIn";
OFFSET = OUT AFTER "ClkIn" REFERENCE_PIN "ClkOut" RISING;
OFFSET = OUT AFTER "ClkIn" REFERENCE_PIN "ClkOut" FALLING;
```

Timing Exceptions

Using the global definitions of the input, register-to-register, and output timing constraints, properly constrains the majority of the paths. In certain cases a small number of paths contain exceptions to the global constraint rules. The most common types of exceptions are:

- "False Paths"
- "Multi-Cycle Paths"

False Paths

In some cases, you may want to remove a set of paths from timing analysis if you are sure that these paths do not affect timing performance.

One common way to specify the set of paths to be removed from timing analysis is to use the FROM-TO constraint with the timing ignore (TIG) keyword. This allows you to:

- Specify a set of registers in a source time group
- Specify a set of registers in a destination time group
- Automatically remove all paths between those time groups from analysis.

To specify the timing ignore (TIG) constraint for this method, define:

- A set of registers for the source time group
- A set of registers for the destination time group
- A FROM-TO constraint with a TIG keyword to remove the paths between the groups

Example

A hypothetical case in which a path between two registers does not affect the timing of the design, and is desired to be removed from analysis, is shown in [Figure 2-13, "Path between two registers that does not affect the timing of the design."](#)

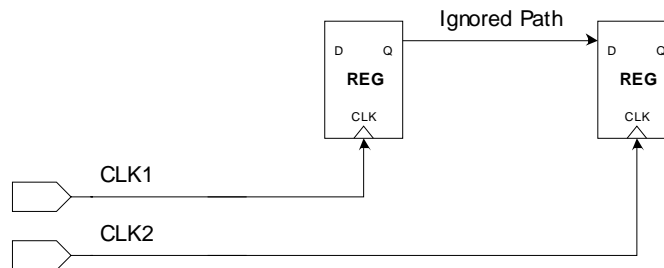


Figure 2-13: Path between two registers that does not affect the timing of the design

The generic syntax for defining a timing ignore (TIG) between time groups is:

```
TIMESPEC "TSid" = FROM "SRC_GRP" TO "DST_GRP" TIG;
```

In the FROM-TO TIG example, the SRC_GRP defines the set of source registers at which path tracing begins. The DST_GRP defines the set of destination registers at which the path tracing ends. All paths that begin in the SRC_GRP and end in the DST_GRP are ignored.

The specific syntax for this example is:

```
NET "CLK1" TNM_NET = FFS "GRP_1";
NET "CLK2" TNM_NET = FFS "GRP_2";
TIMESPEC TS_Example = FROM "GRP_1" TO "GRP_2" TIG;
```

Multi-Cycle Paths

In a multi-cycle path, data is transferred from source to destination synchronous elements at a rate less than the clock frequency defined in the PERIOD specification.

This occurs most often when the synchronous elements are gated with a common clock enable signal. By defining a multi-cycle path, the timing constraints for these synchronous

elements are relaxed over the default PERIOD constraint. The implementation tools are then able to appropriately prioritize the implementation of these paths.

One common way to specify the set of multi-cycle paths is to define a time group using the clock enable signal. This allows you to:

- Define one time group containing both the source and destination synchronous elements using a common clock enable signal
- Automatically apply the multi-cycle constraint to all paths between these synchronous elements

To specify the FROM:TO (multi-cycle) constraint for this method, define:

- A PERIOD constraint for the common clock domain
- A set of registers based on a common clock enable signal
- A FROM:TO (multi-cycle) constraint describing the new timing requirement

Example

Figure 2-14, “Path between two registers clocked by a common clock enable signal,” shows a hypothetical case in which a path between two registers is clocked by a common clock enable signal. In this example, the clock enable is toggled at a rate that is one-half of the reference clock.

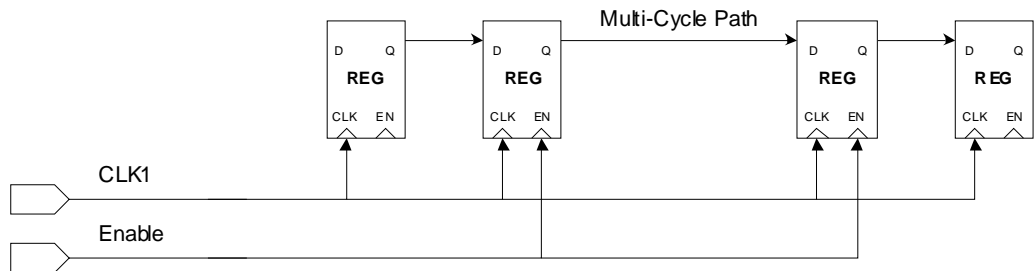


Figure 2-14: Path between two registers clocked by a common clock enable signal

The generic syntax for defining a multi-cycle path between time groups is:

```
TIMESPEC "TSid" = FROM "MC_GRP" TO "MC_GRP" <value>;
```

In the FROM:TO (multi-cycle) example, the MC_GRP defines the set of registers which are driven by a common clock enable signal. All paths that begin in the MC_GRP and end in the MC_GRP have the multi-cycle timing requirement applied to them. Paths into and out of the MC_GRP are analyzed with the appropriate PERIOD specification.

The specific syntax for this example is:

```
NET "CLK1" TNM_NET = "CLK1";
TIMESPEC "TS_CLK1" = PERIOD "CLK1" 5 ns HIGH 50%;
NET "Enable" TNM_NET = FFS "MC_GRP";
TIMESPEC TS_Example = FROM "MC_GRP" TO "MC_GRP" TS_CLK1*2;
```


Timing Constraint Principles

This chapter includes:

- “Constraint System”
- “Constraint Priorities”
- “Timing Constraints”
- “Timing Constraint Syntax”
- “Creating Timing Constraints”
- “Timing Constraint Analysis”
- “Clock Skew”
- “Clock Uncertainty”
- “Asynchronous Reset Paths”

This chapter:

- Discusses the fundamentals of timing constraints, including:
 - ◆ “PERIOD Constraints”
 - ◆ “OFFSET Constraints”
 - ◆ “FROM:TO (Multi-Cycle) Constraints”
- Discusses the ability to group elements in order to provide a better understanding of the constraint system subsystem
- Provides more information about the analysis of the basic constraints, with “Clock Skew” and “Clock Uncertainty”

Constraint System

This section discusses the Constraint System and includes:

- “About the Constraint System”
- “DLL/DCM/PLL/BUFR/PMCD Components”
- “Timing Group Creation with TNM/TNM_NET Attributes”
- “Grouping Constraints”

About the Constraint System

The constraint system is that portion of the implementation tools (NGDBUILD) that parses and understands the physical and timing constraints for the design.

The constraint system:

- Parses the constraints from the following files and delivers this information to the other implementation tools:
 - ◆ NCF
 - ◆ UCF
 - ◆ EDN/EDF/EDIF
 - ◆ NGC
 - ◆ NGO
- Confirms that the constraints are correctly specified for the design
- Applies the necessary attributes to the corresponding elements
- Issues error and warning messages for constraints that do not correlate correctly with the design

DLL/DCM/PLL/BUFR/PMCD Components

This section discusses DLL/DCM/PLL/BUFR/PMCD Components and includes:

- [“About DLL/DCM/PLL/BUFR/PMCD Components”](#)
- [“Transformation Conditions”](#)
- [“New PERIOD Constraints on DCM Outputs”](#)
- [“The newly created TIMESPEC PERIOD constraints contain all the paths associated with the clock modifying block component. If the PERIOD constraint is not translated and then traces only to the clock modifying block component, the timing report show 0 items analyzed. No other PERIOD constraints are reported.”](#)
- [“Analysis with NET PERIOD”](#)
- [“PHASE Keyword”](#)
- [“DLL/DCM/PLL Manipulation with PHASE”](#)

About DLL/DCM/PLL/BUFR/PMCD Components

When a TIMESPEC PERIOD specification on the input pad clock net is traced or translated through the DCM/DLL/PLL/BUFR/PMCD component (also known as a clock-modifying block), the derived or output clocks are constrained with new PERIOD constraints.

In order to generate the destination-element-timing group, during transformation each clock output pin of the clock-modifying block is given:

- A new TIMESPEC PERIOD constraint
- A corresponding TNM_NET constraint

The new TIMESPEC PERIOD constraint is based upon the manipulation of the clock modifying block component. The transformation:

- Takes into account the phase relationship factor of the clock outputs
- Performs the appropriate multiplication or division of the PERIOD requirement value

Transformation Conditions

The transformation occurs when:

- The TIMESPEC PERIOD constraint is traced into the CLKIN pin of the clock modifying block component, and
- The following conditions are met:
 - ♦ The group associated with the PERIOD constraint is used in exactly *one* PERIOD constraint
 - ♦ The group associated with the PERIOD constraint is *not* used in any other timing constraints, including FROM:TO (multicycle) or OFFSET constraints
 - ♦ The group associated with the PERIOD constraint is *not* referenced or related to any other user group definition

New PERIOD Constraints on DCM Outputs

If the “Transformation Conditions” are met, the **TIMESPEC "TS_clk20" = PERIOD "clk20_grp" 20 ns HIGH 50 %;** constraint is translated into the following constraints based upon the clock structure shown in [Figure 3-1, “New PERIOD Constraints on DCM Outputs.”](#)

```
CLK0: TS_clk20_0=PERIOD clk20_0 TS_clk20*1.000000 HIGH 50.000000%
CLK90: TS_clk20_90=PERIOD clk20_90 TS_clk20*1.000000 PHASE + 5.000000
nS HIGH 50.000000%
```

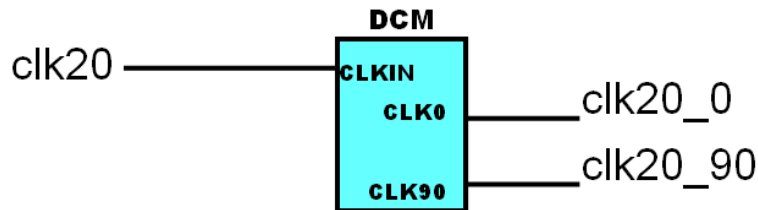


Figure 3-1: New PERIOD Constraints on DCM Outputs

The following message appears in the NGDDBuild (design.bld) or MAP (design.mrp) report:

```
INFO:XdmHelpers:851 - TNM " clk20_grp ", used in period specification
"TS_clk20", was traced into DCM instance "my_dcm". The following new TNM
groups and period specifications were generated at the DCM output(s):
```

```
clk0: TS_clk20_0=PERIOD clk20_0 TS_clk20*1.000000 HIGH 50.000000%
clk90: TS_clk20_90=PERIOD clk20_90 TS_clk20*1.000000 PHASE + 5.000000
nS HIGH 50.000000%
```

If the CLKIN_DIVIDE_BY_2 attribute is set to TRUE for the DCM in [Figure 3-1, “New PERIOD Constraints on DCM Outputs,”](#) the translated PERIOD constraints are adjusted accordingly. The following constraints are the result of this attribute:

```
CLK0: TS_clk20_0=PERIOD clk20_0 TS_clk20*2.000000 HIGH 50.000000%
CLK90: TS_clk20_90=PERIOD clk20_90 TS_clk20*2.000000 PHASE + 5.000000
nS HIGH 50.000000%
```

If the “Transformation Conditions” are *not* met:

- The PERIOD constraint is *not* placed on the output or derived clocks of the clock modifying block component, and
- An error or warning message is reported in the NGDBuild report

Error Message Example

Following is an example of an error message:

```
"ERROR:NgdHelpers:702 - The TNM "PAD_CLK" drives the CLKIN pin of CLKDLL "$I1". This TNM cannot be traced through the CLKDLL because it is not used in exactly one PERIOD specification. This TNM is used in the following user groups and/or specifications:
```

```
TS_PAD_CLK=PERIOD PAD_CLK 20000.000000 pS HIGH 50.000000%  
TS_01=FROM PAD_CLK TO PADS 20000.000000 pS"
```

Note: The original TIMESPEC PERIOD constraint is reported in the timing report and shows "0 items analyzed."

The newly created TIMESPEC PERIOD constraints contain all the paths associated with the clock modifying block component. If the PERIOD constraint is not translated and then traces only to the clock modifying block component, the timing report show **0 items analyzed**. No other PERIOD constraints are reported.

If the PERIOD constraint traces to other synchronous elements, the analysis includes only those synchronous elements.

Synchronous Elements

Synchronous elements include:

- Flip Flops
- Latches
- Distributed RAM
- Block RAM
- Distributed ROM
- ISERDES
- OSERDES
- PPC405
- PPC440
- MULT18X18
- DSP48
- MGTs (GT, GT10, GT11, GTP)
- SRL16
- EMAC
- FIFO (16, 18, & 36)
- PCIE
- TEMAC

Analysis with NET PERIOD

When a NET PERIOD constraint is applied to the input clock pad or net, this constraint is not translated through the clock modifying block component. This can result in zero items or paths analyzed for these constraints.

The NET PERIOD is analyzed only during MAP, PAR, and Timing analysis. When "MAP - timing" and PAR call the timing tools, the timing tools do the clock modifying block manipulation for placement and routing, but not for the timing analysis timing reports.

When a TIMESPEC PERIOD constraint is traced into an input pin on a clock modifying block, NGDDBuild or the translate process transforms the original TIMESPEC PERIOD constraint into new TIMESPEC PERIOD constraints based upon the derived output clocks. The NGDDBuild report (`design.bld`) indicates this transformation.

MAP, PAR, and Timing Analyzer use the new derived clock TIMESPEC PERIOD constraints that are propagated to the Physical Constraints File (PCF). The original TIMESPEC PERIOD is unchanged during this transformation. It is used as a reference for the new TIMESPEC PERIOD constraints.

Note: Constraints Editor sees only the original PERIOD constraint and not the newly transformed PERIOD constraints.

PHASE Keyword

The PHASE keyword is used in the relationship between related clocks. The timing analysis tools use this relationship for the OFFSET constraints and cross-clock domain path analysis. The PHASE keyword can be entered in the UCF/NCF or through the translation of the DCM/DLL/PLL components during NGDDBuild.

Note: If the phase shifted value of DCM/PLL/DLL component is changed in FPGA Editor, the change is not reflected in the PCF file.

The timing analysis tools use the PHASE keyword value in the PCF to emulate the DLL/DCM/PLL phase shift value. In order to see the change that was made in FPGA Editor, the PCF must also be modified manually with the corresponding change.

DLL/DCM/PLL Manipulation with PHASE

[Table 3-1, "Transformation of PERIOD Constraint Through DCM,"](#) displays the new DCM/DLL/PLL component output clock net derived TIMESPEC PERIOD constraints, based upon the original PERIOD (TS_CLKIN) constraints. TS_CLKIN is expressed as a time value.

If TS_CLKIN is expressed as a frequency value, the multiply and divide operations are reversed. If the DCM attributes FIXED_PHASE_SHIFT or VARIABLE_PHASE_SHIFT are used, the amount of the phase-shifted value is included in the PHASE keyword value.

The DCM attributes FIXED_PHASE_SHIFT or VARIABLE_PHASE_SHIFT phase shifting amount on the DCM is not reflected in [Table 3-1, "Transformation of PERIOD Constraint Through DCM."](#)

Table 3-1: Transformation of PERIOD Constraint Through DCM

Output Pin	PERIOD Value	PHASE Shift value
CLK0	TS_CLKIN * 1	None
CLK90	TS_CLKIN * 1	PHASE + (clk0_period * ¼)
CLK180	TS_CLKIN * 1	PHASE + (clk0_period * ½)

Table 3-1: Transformation of PERIOD Constraint Through DCM (Cont'd)

CLK270	TS_CLKIN * 1	PHASE + (clk0_period * $\frac{3}{4}$)
CLK2x	TS_CLKIN / 2	None
CLK2x180	TS_CLKIN / 2	PHASE + (clk2x_period * $\frac{1}{2}$)
CLKDV	TS_CLKIN * clkdv_divide (clkdv_divide = value of CLKDV_DIVIDE property (default = 2.0))	None
CLKFX	TS_CLKIN / clkfx_factor (clkfx_factor = value of CLKFX_MULTIPLY property (default = 4.0) divided by value of CLKFX_DIVIDE property (default = 1.0))	None
CLKFX180	TS_CLKIN / clkfx_factor (clkfx_factor = value of CLKFX_MULTIPLY property (default = 4.0) divided by value of CLKFX_DIVIDE property (default = 1.0))	PHASE + (clkfx_period * $\frac{1}{2}$)

Timing Group Creation with TNM/TNM_NET Attributes

This section discusses Timing Group Creation with TNM/TNM_NET Attributes and includes:

- [“About Timing Group Creation with TNM/TNM_NET Attributes”](#)
- [“Net Connectivity \(NET\)”](#)
- [“Predefined Time Groups”](#)
- [“Propagation Rules for TNM_NET”](#)
- [“Instance or Hierarchy”](#)
- [“Instance Pin”](#)

About Timing Group Creation with TNM/TNM_NET Attributes

All design elements with same TNM/TNM_NET attribute are considered a timing group. A design element may be in multiple timing groups (TNM/TNM_NET).

The NM/TNM_NET attributes can be applied to:

- Net Connectivity (NET)
- Instance/Module - INST
- Instance Pin - PIN

Note: To ensure correct timing analysis, Xilinx® recommends that you place only one TNM/TNM_NET on each element, driver pin, or macro driver pin.

Net Connectivity (NET)

Identifying groups by net connectivity allows the grouping of elements by specifying a net or signal that eventually drives synchronous elements and pads. This method is a good way to identify multi-cycle path elements that are controlled by a clock enable and can be constrained as a FROM:TO (multi-cycle) constraint. This method uses TNM_NET (timing net) or TNM (timing name) on a net of the design. The timing name attribute is commonly used on HDL port declarations, which are directly connected to pads.

If a timing name attribute is placed on a net or signal, the constraints parser traces the signal or net downstream to the synchronous elements. A timing name is an attribute that can be used to identify the elements that make up a time group that can be then used in a timing constraint. Those synchronous elements are then tagged with the same timing name attribute. The timing name attribute name is then used in a TIMESPEC or Timing Constraint.

An example is the clock net in following schematic is traced forward to the two flip-flops in [Figure 3-2, “TNM on the CLOCK pad or net traces downstream to the Flip-Flops.”](#)

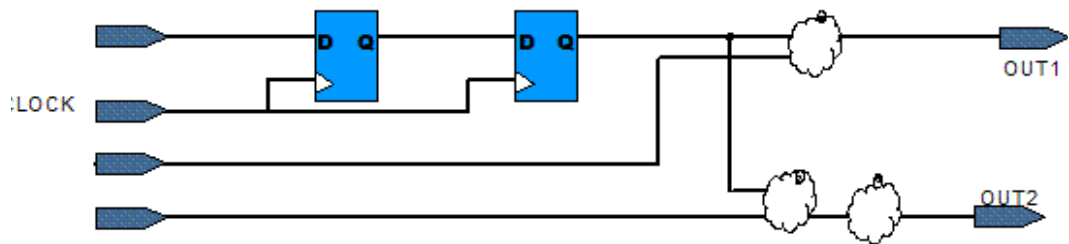


Figure 3-2: TNM on the CLOCK pad or net traces downstream to the Flip-Flops

Flagging a common input (typically a clock signal or clock enable signal) can be used to group flip-flops, latches, or other synchronous elements. The TNM is traced forward along the path (through any number of gates, buffers, or combinatorial logic) until it reaches a flip-flop, input latch, or synchronous element. Those elements are added to the specified TNM or time group. Using TNM on a net that traces forward to create a group of flip-flops is shown in [Figure 3-3, “TNM on the CLK net traced through combinatorial logic to synchronous elements \(flip-flops\).”](#)

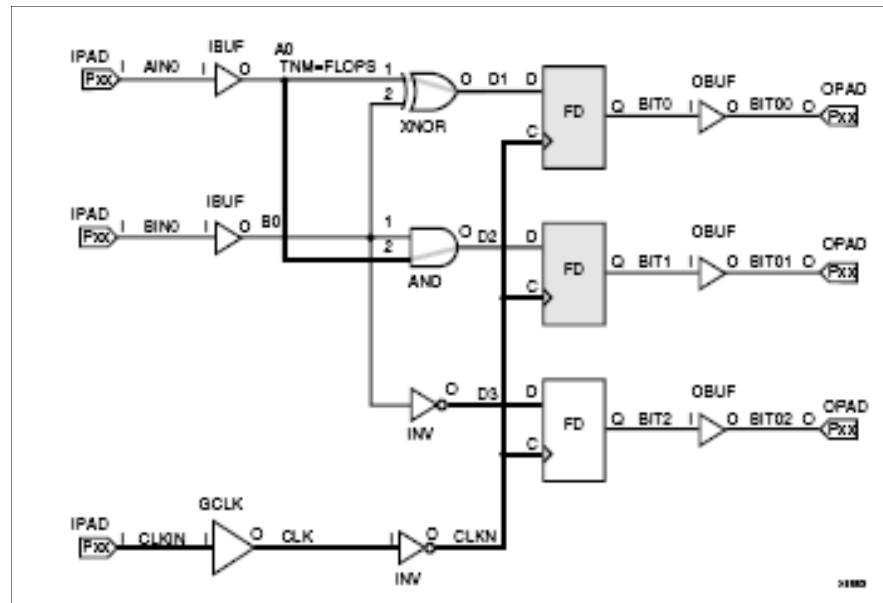


Figure 3-3: TNM on the CLK net traced through combinatorial logic to synchronous elements (flip-flops)

When you place a TNM constraint on a net, use a qualifier to narrow the list of elements in the time group. A qualified TNM is traced forward until it reaches the first synchronous element that matches the qualifier type. The qualifier types are the predefined time groups. If that type of synchronous element matches the qualifier, the synchronous element is given that TNM attribute. Whether or not there is a match, the TNM is not traced through the synchronous element.

Predefined Time Groups

The following keywords are predefined time groups:

- FFS
 - All SLICE and IOB edge-triggered flip-flops and shift registers
- PADS
 - All I/O pads
- DSPS
 - ◆ All DSP48 in Virtex™-4 devices
 - ◆ All DSP48E in Virtex-5 devices
- RAMS
 - All single-port and dual-port SLICE LUT RAMs and block Rams
- MULTS
 - All synchronous and asynchronous multipliers in the following devices:
 - ◆ VirtexII-Pro
 - ◆ VirtexII-ProX

- ◆ Virtex-4
- ◆ Virtex-5
- HSIOS
 - ◆ All GT and GT10 in the following devices:
 - VirtexII-Pro
 - VirtexII-ProX
 - Virtex-4
 - ◆ All GTP in Virtex-5 devices
- CPUS
 - ◆ All PPC405 in the following devices:
 - VirtexII-Pro
 - VirtexII-ProX
 - Virtex-4
 - ◆ All PPC450 in Virtex-5 devices
- LATCHES
 - All SLICE level-sensitive latches
- BRAMS_PORTA
 - Port A of all dual-port block RAMs
- BRAMS_PORTB
 - Port B of all dual-port block RAMs

The TNM_NET is equivalent to TNM on a net, but produces different results on pad nets. The Translate Process or NGDBuild command never transfers a TNM_NET constraint from the attached net to an input pad, as it does with the TNM constraint. You can use TNM_NET only with nets. If TNM_NET is used with any other objects (such as a pin or instance), a warning is generated and TNM_NET definition is ignored.

A TNM attribute on a pad net or the net between the IPAD and the IBUF, the constraints parser traces the signal or net upstream to the pad element, as shown in [Figure 3-4, "Differences between TNM and TNM_NET."](#) The TNM_NET attribute is traced through the buffer to the synchronous elements. In HDL designs, the IBUF output signal is the same as the IPAD or port name, so there are not differences between the TNM_NET and TNM attributes. In this case, both timing name attributes trace downstream to the synchronous elements.

Propagation Rules for TNM_NET

The propagation rules for TNM_NET are:

- If applied to a pad net, TNM_NET propagates forward through the IBUF elements and any other combinatorial logic to synchronous elements or pads.
- If applied to a clock-pad net, TNM_NET propagates forward through the clock buffer to synchronous elements or pads.
- If applied to an input clock net of a DCM/DLL/PLL/PMCD/BUFR and associated with a PERIOD constraint, TNM_NET propagates forward through the clock-modifying block to synchronous elements or pads.

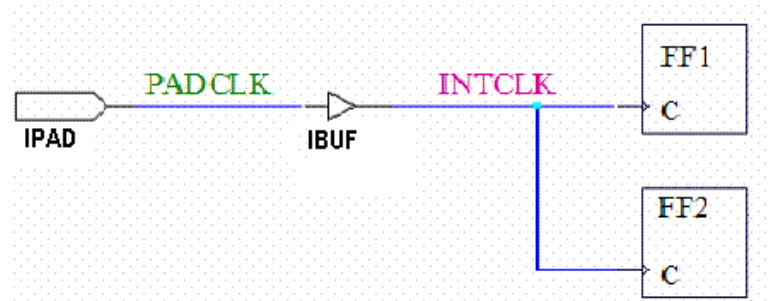


Figure 3-4: Differences between TNM and TNM_NET

In the design shown in Figure 3-4, “Differences between TNM and TNM_NET,” a TNM associated with the IPAD signal includes only the PAD symbol as the member of a time group. A TNM_NET associated with the IPAD signal includes all the synchronous elements after the IBUF as members of a time group.

Following are examples of different ways to create time groups using the IPAD signal:

- **NET PADCLK TNM = PAD_grp;**
Use the **padclk** net to define the time group **PAD_grp**. Contains the IPAD element.
- **NET PADCLK TNM = FFS "FF_grp";**
Use the **padclk** net to define the time group **FF_grp**. Contains no flip-flop elements.
- **NET PADCLK TNM_NET = FFS FF2_grp;**
Use the **padclk** net to define the time group **FF2_grp**. Contains all flip-flop elements associated with this net.

In the design shown in Figure 3-4, “Differences between TNM and TNM_NET,” a TNM associated with the IBUF output signal can only include the synchronous elements after the IBUF as members of a time group.

Following are examples of time groups that use only the IBUF output signal:

- **NET INTCLK TNM = FFS FF1_grp;**
Use the **intclk** net to define the time group **FF1_grp**. Contains all flip-flop elements associated with this net.
- **NET INTCLK TNM_NET = RAMS Ram1_grp;**
Use the **intclk** net to define the time group **Ram1_grp**. Contains all distributed and block RAM elements associated with this net.

Instance or Hierarchy

When a TNM attribute is placed on a module or macro, the constraints parser traces the macro or module down the hierarchy to the synchronous elements and pads. The attribute transverses through all levels of the hierarchy rather than forward along a net or signal. This feature is illustrated in:

- Figure 3-2, “TNM on the CLOCK pad or net traces downstream to the Flip-Flops”
- Figure 3-3, “TNM on the CLK net traced through combinatorial logic to synchronous elements (flip-flops)”

Those synchronous elements are then tagged with the same TNM attribute. The TNM attribute name is then used in a TIMESPEC or timing constraint. This method uses a TNM on a block of the design. Multiple instances of the same TNM attribute are used to identify the time group.

A macro or module is an element that performs some general purpose higher level function. It typically has a lower level design that consists of primitives or elements, other macros or modules, or both, connected together to implement the higher level function.

A TNM constraint attached to a module or macro indicates that all elements inside the macro or module (at all levels of hierarchy below the tagged module or macro) are part of the named time group. Use the **keep_hierarchy** attribute to ensure that the design hierarchy is maintained. This feature is illustrated in:

- Figure 3-5, “The TNM on the upper left hierarchy is traced down to the lower level element”
- Figure 3-6, “Grouping via Instances”

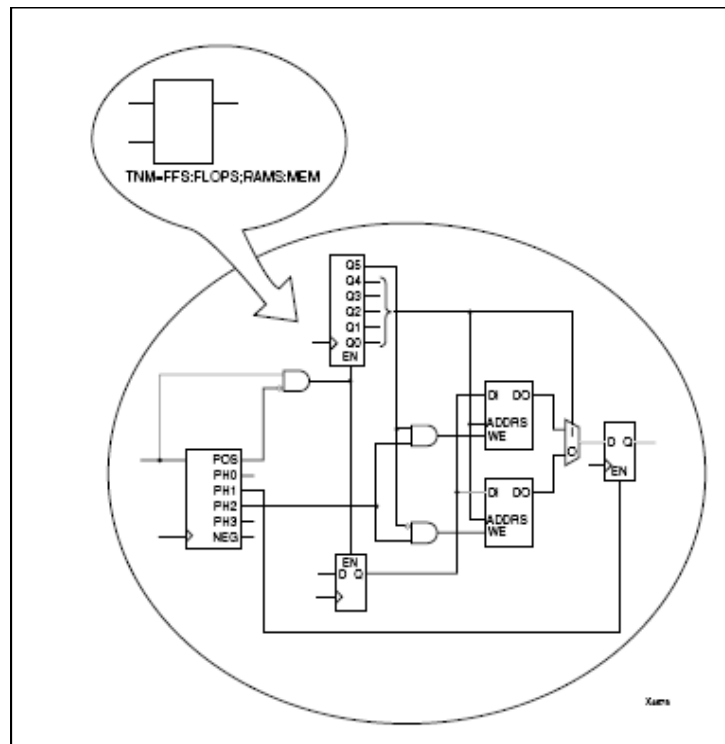


Figure 3-5: The TNM on the upper left hierarchy is traced down to the lower level element

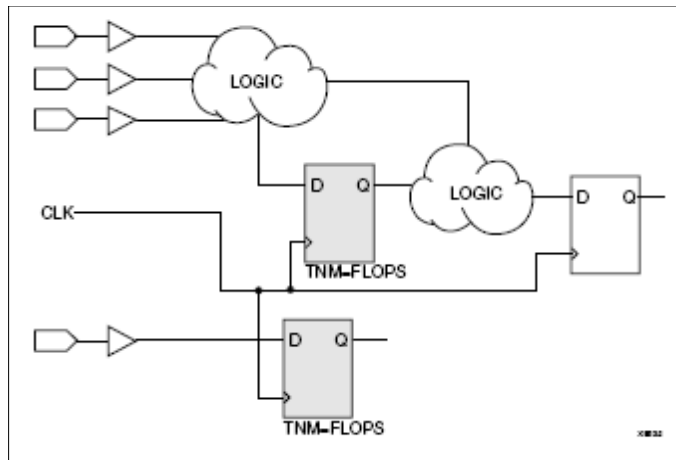


Figure 3-6: Grouping via Instances

You can use wildcard characters to transverse the hierarchy of a design.

- A question mark (?) represents one character.
- An asterisk (*) represents multiple characters.

The following example uses a wildcard character to transverse the hierarchy where **Level11** is a top level module:

- **Level11/***
Transverses all blocks in Level11 and below
- **Level11/*/**
Transverses all blocks in Level11 but no further

The instances described below are either:

- Symbols on a schematics, or
- A symbol name as it appears in the EDIF netlist

An example of the wildcard transversing the design hierarchy is shown in [Figure 3-6, "Grouping via Instances,"](#) for the following instances:

- **INST ***
All synchronous elements are in this time group
- **INST /***
All synchronous elements are in this time group
- **INST /*/**
Top level elements or modules are in this time group:
 - ◆ **A1**
 - ◆ **B1**
 - ◆ **C1**

- **INST A1/***
All elements one or more levels of hierarchy below the A1 hierarchy are in this time group:
 - ◆ **A21**
 - ◆ **A22**
 - ◆ **A3**
 - ◆ **A4**
- **INST A1/*/**
All elements one level of hierarchy below the A1 hierarchy are in this time group:
 - ◆ **A21**
 - ◆ **A22**
- **INST A1/**/***
All elements two or more levels of hierarchy below the A1 hierarchy are in this time group:
 - ◆ **A3**
 - ◆ **A4**
- **INST A1/**/*/**
All elements two levels of hierarchy below the A1 hierarchy are in this time group:
 - ◆ **A3**
- **INST A1/**/*/***
All elements three or more levels of hierarchy below the A1 hierarchy are in this time group:
 - ◆ **A4**
- **INST A1/**/*/*/**
All elements three levels of hierarchy below the A1 hierarchy are in this time group:
 - ◆ **A4**
- **INST /*/*22/**
All elements with instance name of 22 are in this time group:
 - ◆ **A22**
 - ◆ **B22**
 - ◆ **C22**
- **INST /*/*22**
All elements with instance name of 22 and elements one level of hierarchy below are in this time group:
 - ◆ **A22**
 - ◆ **A3**
 - ◆ **A4**
 - ◆ **B22**
 - ◆ **B3**

- ◆ C22
- ◆ C3

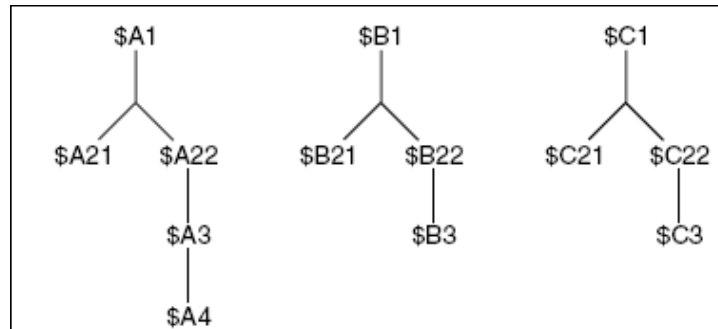


Figure 3-7: Transversing hierarchy with wildcards

Instance Pin

Identifying groups by pin connectivity allows you to group elements by specifying a pin that eventually drives synchronous elements and pads. This method uses TNM (timing name) on a pin of the design. If a TNM attribute is placed on a pin, the constraints parser traces the pin downstream to the synchronous elements. A TNM is an attribute that can be used to identify the elements that make up a time group that can be then used in a timing constraint.

An example of this method is shown in [Figure 3-8, “TNM placed on Macro Pin traces downstream to synchronous elements.”](#)

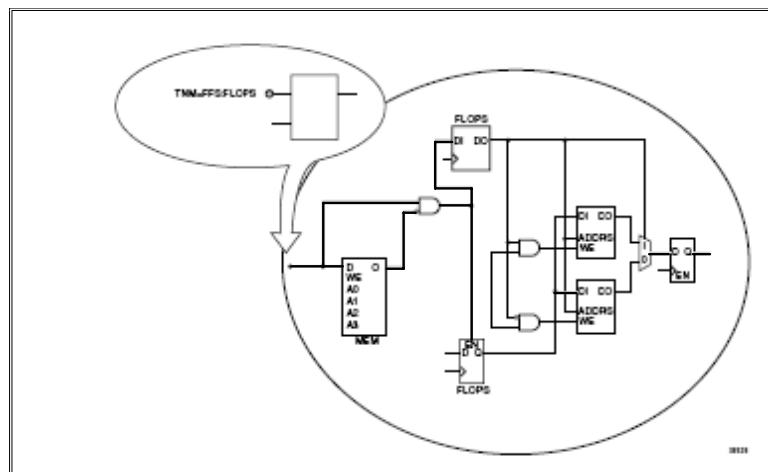


Figure 3-8: TNM placed on Macro Pin traces downstream to synchronous elements

When placing a TNM constraint on a pin, a qualifier can be used to narrow the list of elements in the time group. A qualified TNM is traced forward until it reaches the first synchronous element that matches the qualifier type. The qualifier types are the predefined time groups. If that type of synchronous element matches the qualifier, the synchronous element is given that TNM attribute. Whether or not there is a match, the TNM is not traced through the synchronous element. For more information, see [“Predefined Time Groups.”](#)

Grouping Constraints

Grouping constraints allow you to group similar elements together for timing analysis. They can be defined in the following files:

- UCF
- NGC
- EDN
- EDIF/EDF

The timing analysis is on timing constraints, which are applied to logical paths. The logic paths typically start and stop at pads and synchronous elements. The grouped elements signify the starting and ending points for timing analysis. These starting and ending points can be based upon predefined groups, user-defined groups, or both. The timing groups are ideal for identifying groups of logic that operate at different speeds, or have different timing requirements.

The time groups are used in the timing analysis of the design. The user-defined and predefined time group informs the timing analysis tools the start and end points for each path being analyzed. The time groups are used in the following constraints:

- PERIOD
- OFFSET IN
- OFFSET OUT
- FROM:TO (Multi-cycle)
- TIG (Timing Ignore)

When using a specific net or instance name, you must use its full hierarchical path name. This allows the implementation tools to find the net or instance. The pattern matching wildcards can be used to specify when creating time groups with predefined time group qualifiers. This is done by using placing a pattern in parenthesis after the time group qualifier.

The predefined groups can reference all the following (among others):

- Flip-flops
- Latches
- Pads
- RAMs
- CPUs
- Multipliers
- High-speed-input/outputs

The predefined group keywords can be used globally, and to create user-defined sub-groups. The predefined time groups are considered reserved keywords that define the types of synchronous elements and pads in the FPGA device.

For more information, see [“Predefined Time Groups.”](#)

The user-defined time group name is case sensitive and can overlap with other user-defined time group and with predefined time groups. An example of design elements being is multiple time groups. In those cases, a register is in the FFS predefined time group, but is also in the `c1k` time group, which is associated with the PERIOD constraint.

Use the following keywords to define user-defined time groups:

- ◆ TNM
- ◆ TNM_NET
- ◆ TIMEGRP

If the instance or net associated with the user-defined time group matches internal reserved words, the time group or constraint is rejected. The same is true for the user-defined time group name. In all the constraints files (NCF, UCF, and PCF), instances, or variable names that match internal reserved words, may be rejected unless the names are enclosed in double quotes. If the instance or net name does match an internal reserved word, enclose the name in double quotes. Double quotes are mandatory if the instance or net name contains special characters such as the tilde (~) or dollar sign (\$). Xilinx recommends using double quotes on all net and instances.

All elements with the same TNM or TNM_NET attributes are considered a timing group. For more information about TNM and TNM_NET attributes, see “[Constraint System](#).”

The TIMEGRP attribute is to combine existing time groups (pre-defined or user-defined) together or remove common elements from existing time groups, and create a new user-defined time group. The TIMEGRP attribute is also a method for creating a new time group by pattern matching (grouping a set of objects that all have output nets that begin with a given string).

Use the following keywords to create subsets of an existing time group:

- Rising edge synchronous elements (RISING)
- Falling edge synchronous elements (FALLING)
- Remove common elements (EXCEPT)

Use the EXCEPT keyword with a TIMEGRP attribute to remove elements from an already-created time group. The overlapping items to be removed from the original time group must be in the excluded or EXCEPT time group. If the excluded time group does not overlap with the original time group, none of the design elements are removed. In that case, the new time group contains the same elements as the original time group.

In addition to using TIMEGRP to include multiple time groups or exclude multiple time groups, it also can be used to create sub-groups using the RISING and FALLING keywords. Use RISING and FALLING to create groups based upon the synchronous element triggered clocking edge (rising or falling edges).

Pattern Matching

Pattern matching on either net or instance names can define the user-defined time group. Use wildcard characters to define a user-defined time group of symbols whose associated net name or instance name matches a specific pattern. Wildcards are used to generalize the group selection of synchronous elements. Wildcards can also be used to shorten and simplify the full hierarchical path to the synchronous elements.

Pattern matching is as follows:

- Asterisk (*)
Matches any string of zero or more characters
- Question Mark (?)
Matches a single character

Table 3-2: Pattern Matching Examples

String	Indicates	Examples
DATA*	any net or instance name that begins with DATA	DATA1 , DATA22 , and DATABASE
NUMBER?	any net names that begin with NUMBER and ends with one single character	NUMBER1 or NUMBERS , but not NUNMBER or NUMBER12

A pattern may contain more than one wildcard character. For example, ***AT?** specifies any net name that:

- Begins with one or more characters followed by **AT**, and
- Ends with any one character

Following are examples of net names included in ***AT?**:

- **BAT2**
- **CAT4**
- **THAT9**

Time Group Examples

Following are time group examples:

- [“Time Group Example One \(Predefined Group of RAMs\)”](#)
- [“Time Group Example Two \(Predefined Group of FFS\)”](#)
- [“Time Group Example Three \(Predefined Group on a Hierarchical Instance\)”](#)
- [“Time Group Example Four \(Combining Time Groups\)”](#)
- [“Time Group Example Five \(Removing Time Groups\)”](#)
- [“Time Group Example Six \(Clock Edges\)”](#)

Time Group Example One (Predefined Group of RAMs)

Following is an example of a time group created with a search string and a predefined group of RAMs in a multicyle constraint:

- **INST my_core TNM = RAMS my_rams;**
This time group (**my_rams**) is the RAM components of the hierarchical block **my_core**
- **TIMSPEC TS01 = FROM FFS TO my_rams 14.24ns;**
- **NET clock_enable TNM_NET = RAMS(address*) fast_rams;**
This time group (**fast_rams**) is the RAM components driven by net name of **clock_enable** with an output net name of **address***
- **TIMSPEC TS01 = FROM FFS TO fast_rams 12.48ns; OR**

- **TIMESPEC TS01 = FROM FFS TO RAMS(address*) 12.48ns;**

The Destination time group is based upon RAM components with an output net name of **address***,

Time Group Example Two (Predefined Group of FFS)

Following is an example of a time group created with a search string and a predefined group of FFS in a multi-cycle constraint:

```
TIMESPEC TS01 = FROM RAMS TO FFS(macro_A/Qdata?) 14.25ns;
```

The Destination time group is based upon Flip Flop components with an output net named **macro_A/Qdata?**,

Time Group Example Three (Predefined Group on a Hierarchical Instance)

Following is an example of a time group created with the predefined group on a hierarchical instance:

- **INST macroA TNM = LATCHES latch_grp;**

This time group (**latch_grp**) consists of the latch components of the hierarchical instance **macroA**,

- **INST macroB TNM = RAMS memory_grp;**

This time group (**memory_grp**) consists of the RAM components of the hierarchical instance **macroB**,

- **INST tester TNM = overall_grp;**

This time group (**overall_grp**) consists of synchronous components (such as RAMS, FFS, LATCHES, and PADS) of the hierarchical instance **tester**.

Time Group Example Four (Combining Time Groups)

The following example shows how to define a new time group by combining it with other time groups:

- **TIMEGRP "larger_grp" = "small_grp" "medium_grp";**

Combines **small_grp** and **medium_grp** into a larger group called **larger_grp**

- **TIMEGRP memory_and_latch_grp = latch_grp memory_grp;**

Combine the elements of **latch_grp** and **memory_grp**.

Time Group Example Five (Removing Time Groups)

Following are examples using the EXCEPT keyword with the TIMEGRP attribute:

- **TIMEGRP new_time_group = Original_time_group EXCEPT a_few_items_time_grp;**

Removes the elements of **a_few_items_time_grp** from **Original_time_group**.

- **TIMEGRP "medium_grp" = "small_grp" EXCEPT "smaller_grp";**

Creates a time group **medium_grp** from the elements of **small_grp** and removes the elements of **smaller_grp**.

- **TIMEGRP all_except_mem_and_latches_grp = overall_grp EXCEPT memory_and_latch_grp;**

Removes the common elements between **memory_and_latch_grp** and **overall_grp**

Time Group Example Six (Clock Edges)

Following is an example of defining a sub-group based upon the triggering clock edge:

- **TIMEGRP "rising_clk_grp" = RISING clk_grp;**
Creates a time group **rising_clk_grp** and includes all the rising edged synchronous elements of **clk_grp**.
- **TIMEGRP "rising_clk_grp" = FALLING clk_grp;**
Creates **rising_clk_grp** and includes all the falling edged synchronous elements of **clk_grp**.

Constraint Priorities

During design analysis, the timing analysis tools determine which constraint analyzes which path. Each constraint type has different priority levels.

Following are the constraint priorities, from highest to lowest:

- Timing Ignore (TIG)
- FROM:THRU:TO
 - ◆ Source and Destination are User-Defined Groups
 - ◆ Source or Destination are User-Defined Groups
 - ◆ Source and Destination are Pre-defined Groups
- FROM:TO
 - ◆ Source and Destination are User-Defined Groups
 - ◆ Source or Destination are User-Defined Groups
 - ◆ Source and Destination are Pre-defined Groups
- OFFSET
 - ◆ Specific Data IOB (NET OFFSET)
 - ◆ Time Group of Data IOBs (Grouped OFFSET)
 - ◆ All Data IOBs (Global OFFSET)
- PERIOD

Note: This determination is based upon the constraint prioritization or which constraint appears later in the PCF file, if there are overlapping constraints of the same priority.

If the design has two PERIOD constraints that cover the same paths, the later PERIOD constraint in the PCF file covers or analyzes these paths. The previous PERIOD constraints show **0 items analyzed** in the timing report. In order to force the timing analysis tools to use the previous PERIOD constraints, instead of the later one, use the PRIORITY keyword on the PERIOD constraints. In addition to the PRIORITY keyword, a multi-cycle or FROM:TO constraint can be used to cover these paths.

In order to prioritize within a constraint type or to avoid a conflict between two timing constraints that cover the same path, the PRIORITY keyword must be used with a value. The value for the PRIORITY can range from -255 to +255. The lower the value, the higher the priority. The value does not affect which paths are placed and routed first. It only affects which constraint covers and analyzes the path with two timing constraints of equal priority.

Use the following syntax to define the priority of a timing constraint:

- **TIMESPEC TS_01 = FROM A_grp TO B_grp 10 ns PRIORITY 5;**
TS_01 has a lower priority than **TS_02**.
- **TIMESPEC TS_02 = FROM A_grp TO B_grp 20 ns PRIORITY 1;**

The PRIORITY keyword can be applied only to TIMESPEC constraints with TSidentifiers (for example, TS03) and not MAXDELAY, MAXSKEW, or OFFSET constraints. This situation can occur when two clock signals from the DCM drive the same BUFGMUX, as shown in [Figure 3-9, "PRIORITY with a BUFGMUX component."](#)

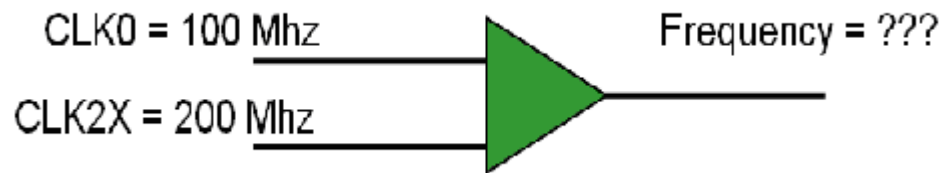


Figure 3-9: PRIORITY with a BUFGMUX component

Following are examples of a PERIOD constraint using the PRIORITY keyword:

```
TIMESPEC "TS_Clk0" = PERIOD "clk0_grp" 10 ns HIGH 50% PRIORITY 2;
TIMESPEC "TS_Clk2X" = PERIOD "clk2x_grp" TS_Clk0 / 2 PRIORITY 1;
```

Timing Constraints

This section discusses Timing Constraints and includes:

- ["About Timing Constraints"](#)
- ["PERIOD Constraints"](#)
- ["OFFSET Constraints"](#)
- ["FROM:TO \(Multi-Cycle\) Constraints"](#)

About Timing Constraints

Timing constraints provide a basis for the design of timing goals. This is done with global timing constraints that set timing requirements that cover all constrainable paths. Creating global constraints for a design is the easiest way to provide coverage of constrainable connections in a design, and to guide the implementation tools to meeting timing requirements for all paths. Global constraints constrain the entire design.

Following are the fundamental timing constraints needed for every design:

- Clock definitions with a PERIOD constraint for each clock
Constrains synchronous element to synchronous element paths
- Input requirements with Global OFFSET IN constraints
Constrains interfacing inputs to synchronous elements paths

- Output requirements with Global OFFSET OUT constraints
Constraints interfacing synchronous elements to outputs to paths
- Combinatorial path requirements with Pad to Pad constraint

You can use more specific path constraints for multi-cycle or static paths. A multi-cycle path is a path between two registers or synchronous elements with a timing requirement that is a multiple of the clock PERIOD constraint for the registers or synchronous elements. A static path does not include clocked elements such as Pad-to-Pad paths.

Timing Constraint Exceptions

Once the foundation of timing constraints is laid, then the exceptions need to be specified and constrained.

- Use FROM:TO (multi-cycle) constraints to create exceptions to the PERIOD constraints.
- Use Pad Time Group based OFFSET constraints and NET based OFFSET constraints to create exceptions to the Global OFFSET constraints.

Setting Timing Constraint Requirements

Xilinx recommends that you set the timing constraint requirements to the exact timing requirement value required for a path, as opposed to over-tightening the requirement. Specifying tighter constraint requirements can cause:

- Lengthened Place and Route (PAR) or implementation runtimes
- Increased memory usage
- Degradation in the quality of results

PERIOD Constraints

This section discusses PERIOD Constraints and includes:

- [“About PERIOD Constraints”](#)
- [“Related TIMESPEC PERIOD Constraints”](#)
- [“Paths Covered by PERIOD Constraints”](#)

About PERIOD Constraints

The PERIOD (Clock Period Specification) constraint is a fundamental timing and synthesis constraint. PERIOD constraints:

- Define each clock within the design
- Cover all synchronous paths within each clock domain
- Cross checks clock domain paths between related clock domains
- Define the duration of the clock
- Can be configured to have different duty cycles.

The PERIOD constraint is preferred over FROM:TO constraints, because the PERIOD constraint covers a majority of the paths and decreases the runtime of the implementation tools.

The Clock Period Specification defines:

- The timing between synchronous elements (FFS, RAMS, LATCHES, HSIOs, CPUs, DSPS, and PADS) clocked by a specific clock net that is terminated at a registered clock pin, as shown in Figure 3-10, “PERIOD Constraints Covering Register to Register Paths.”
- The timing between related clock domains based upon the destination clock domain

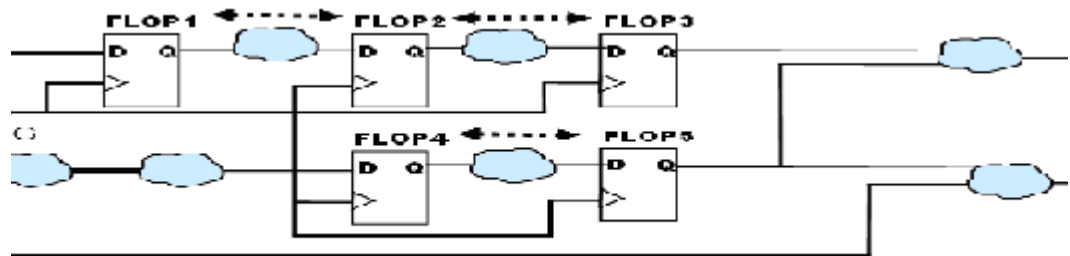


Figure 3-10: PERIOD Constraints Covering Register to Register Paths

The PERIOD constraint on a clock net analyzes all delays on all paths that terminate at a pin with a setup and hold analysis relative to the clock net. A typical analysis includes the data paths of:

- Intrinsic Clock-to-Out delay of the synchronous elements
- Routing and Logic delay
- Intrinsic Setup/hold delay of the synchronous elements
- Clock Skew between the source and destination synchronous elements
- Clock Phase - DCM Phase and Negative Edge Clocking
- Clock Duty Cycles

The PERIOD constraint includes:

- Clock path delay in the clock skew analysis for global and local clocks
- Local clock inversion
- Setup and hold time analysis
- Phase relationship between related clocks
 - Note:** Related/Derived clocks can be a function of another clock (* and /)
- DCM Jitter, Duty-Cycle Distortion, and DCM Phase Error for Virtex-4, DCM Jitter, PLL Jitter, Duty-Cycle Distortion, and DCM Phase Error for Virtex-5, and new families as Clock Uncertainty
- User-Defined System and Clock Input Jitter as Clock Uncertainty
- Unequal clock duty cycles (non 50%)
- Clock phase including DCM phase and negative edge clocking

Related TIMESPEC PERIOD Constraints

Xilinx recommends that you associate a PERIOD constraint with every clock. The preferred way to define PERIOD constraints is to use the TIMESPEC Period Constraint. TIMESPEC allows you to define derived clock relationships with other TIMESPEC PERIOD constraints.

An example of this complex derivative relationship is done automatically through the “[DLL/DCM/PLL/BUFR/PMCD Components](#)” component outputs. The derived relationship is defined with one TIMESPEC PERIOD in terms of another TIMESPEC PERIOD. When a data path goes from one clock domain to another clock domain, and the PERIOD constraints are related, the timing tools perform a cross-clock domain analysis. This is very common with the outputs from the “[DLL/DCM/PLL/BUFR/PMCD Components](#).” For more information, see “[Constraint System](#).”

Note: During cross-clock domain analysis of related PERIOD constraints, the PERIOD constraint on the destination element covers the data path.

In [Figure 3-11](#), “[Related PERIOD Constraints](#),” **TS_PERIOD#1** is related to **TS_PERIOD#2**. The data path (shown in red) is analyzed by **TS_PERIOD#2**.

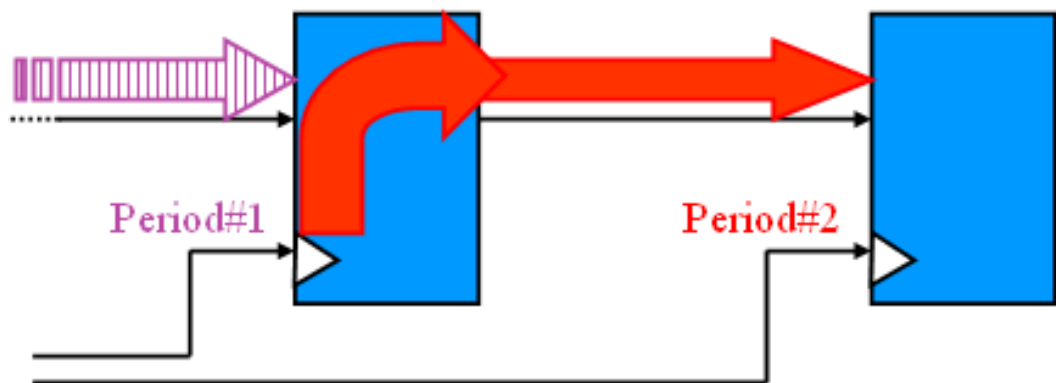


Figure 3-11: Related PERIOD Constraints

When PERIOD constraints are related to each other, the design tools can determine the inter-clock domain path requirements as shown in [Figure 3-12](#), “[Unrelated clock domains](#).”

Following is an example of the PERIOD constraint syntax. The **TS_Period_2** constraint value is a multiple of the **TS_Period_1** **TIMESPEC**.

```
TIMESPEC TS_Period_1 = PERIOD "clk1_in_grp" 20 ns HIGH 50%;
TIMESPEC TS_Period_2 = PERIOD "clk2_in_grp" TS_Period_1 * 2;
```

Note: If the two PERIOD constraints are not related in this method, the cross clock domain data paths is not covered or analyzed by any PERIOD constraint.

In Figure 3-12, “Unrelated clock domains,” since CLKA and CLKB are not related or asynchronous to each other, the data paths between register four and register five are not analyzed by either PERIOD constraint.

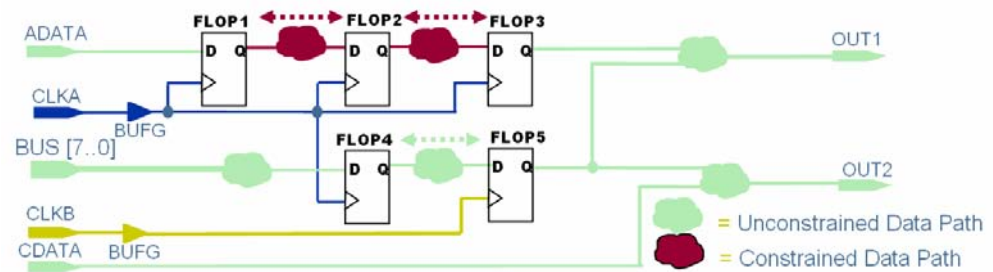


Figure 3-12: Unrelated clock domains

Paths Covered by PERIOD Constraints

The PERIOD constraint covers paths only between synchronous elements. Pads are not included in this analysis. NGDBuild issues a warning if you have pad elements in the PERIOD time group. Analysis between unrelated or asynchronous clock domains is also not included.

The PERIOD constraint analysis includes the setup and hold analysis on synchronous elements. The setup analysis ensures that the data changes at the destination synchronous element prior to the clock arrival.

Note: The data must become valid at its input pins at least a setup time before the arrival of the active clock edge at its pin.

The equation for the setup analysis is the data path delay plus the synchronous element setup time minus the clock path skew.

$$\text{Setup Time} = \text{Data Path Delay} + \text{Synchronous Element Setup Time} - \text{Clock Path Skew}$$

Since the clock jitter or Clock Uncertainty increases the clock path delay, the needed setup margin is larger as shown in Figure 3-13, “Reduced Setup Margin by Clock Uncertainty/Jitter.”

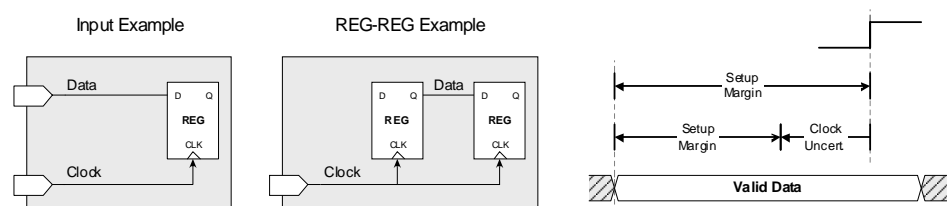


Figure 3-13: Reduced Setup Margin by Clock Uncertainty/Jitter

The hold analysis ensures that the data changes at the destination synchronous element after the clock arrival.

Note: The data must stay valid at its input pins at least a hold time after the arrival of the active clock edge at its pin.

The equation for the hold analysis is the clock path skew plus the synchronous element hold time minus the data path delay. A hold time violation occurs when the positive clock skew is greater than the data path delay.

$$\text{Hold Time} = \text{Clock Path Skew} + \text{Synchronous Element Hold Time} - \text{Data Path Delay}$$

Since The clock jitter or Clock Uncertainty increases the clock path delay, the needed hold margin is larger as shown in Figure 3-14, “Reduce Hold Margin by Clock Uncertainty/Jitter.”

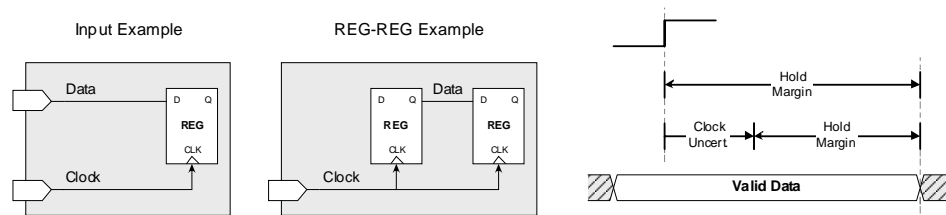


Figure 3-14: Reduce Hold Margin by Clock Uncertainty/Jitter

Both equations also include the **clock-to-out** time of the synchronous source element as a portion of the data path delay. In Figure 3-15, “Hold Violation (Clock Skew > Data Path),” and Figure 3-16, “Hold Violation Waveform,” since the positive clock skew is greater than the data path delay, the timing analysis issues a hold violation.

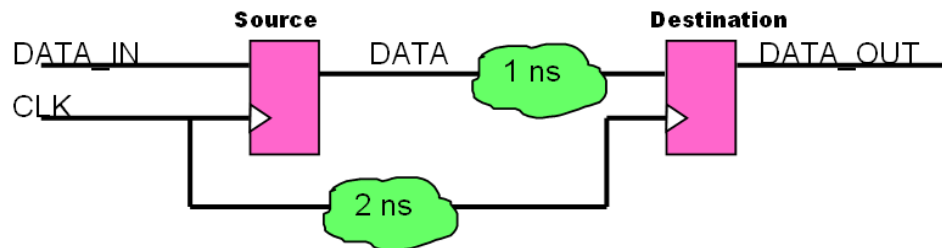


Figure 3-15: Hold Violation (Clock Skew > Data Path)

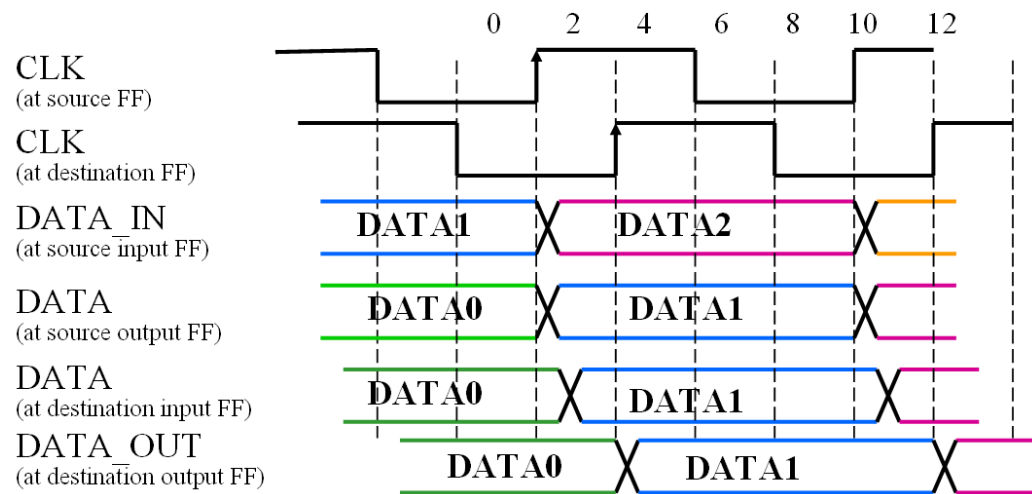


Figure 3-16: Hold Violation Waveform

Note: The timing report does not list the hold paths unless the path causes a hold violation.

To report the hold paths for each constraint, use the **-fastpaths** switch in **trce** or **Report Fast Paths Option** in Timing Analyzer. An example of setup and hold times from the device data sheet is shown in Figure 3-17, “Setup/Hold times from Data Sheet.”

Note: Historically, the setup and hold analysis in the timing report is smaller than the values in the device data sheet.

The values in the data sheet cover every pin and synchronous element, but the timing report is specific to your design for a specific pin or synchronous element.

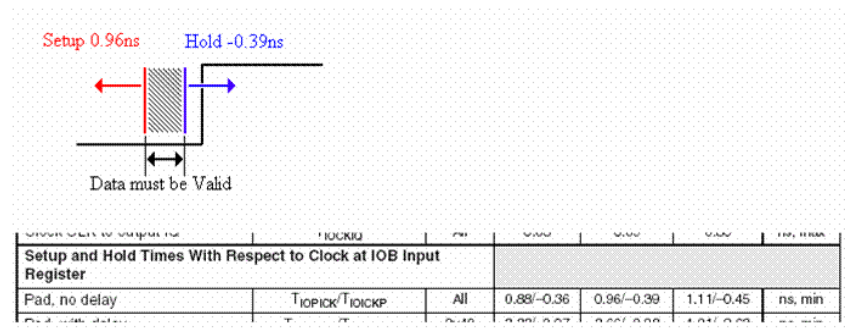


Figure 3-17: Setup/Hold times from Data Sheet

OFFSET Constraints

This section discusses OFFSET Constraints and includes:

- [“About OFFSET Constraints”](#)
- [“Paths Covered by OFFSET Constraints”](#)

About OFFSET Constraints

The OFFSET constraint is a fundamental timing constraint. OFFSET constraints are used to define the timing relationship between an external clock pad and its associated data-in or data-out pad. This relationship is also known as constraining the **Pad to Setup** or **Clock to Out** paths on the device. These constraints are important for specifying timing interfaces with external components.

Note: The **Pad to Setup** (OFFSET IN BEFORE) constraint allows the external clock and external input data to meet the setup time on the internal flip-flop.

Note: The **Clock to Out** (OFFSET OUT AFTER) constraint gives you more control over the setup/hold requirement of the downstream devices and with respect to the external output data pad and the external clock pad.

The OFFSET IN BEFORE and OFFSET OUT AFTER constraints allow you to specify the internal data delay from the input pads or to the output pads with respect to the clock.

Alternatively, the OFFSET IN AFTER and OFFSET OUT BEFORE constraints allow you to specify external data and clock relationship for the timing on the path to the input pads and to the output pads for the Xilinx device. The timing software determines the internal requirements without the need of a FROM PADS TO FFS or FROM FFS TO PADS constraint.

For examples, see:

- [Figure 3-18, “Timing Reference Diagram of OFFSET IN Constraint”](#)
- [Figure 3-19, “Timing Reference Diagram of OFFSET OUT Constraint”](#)

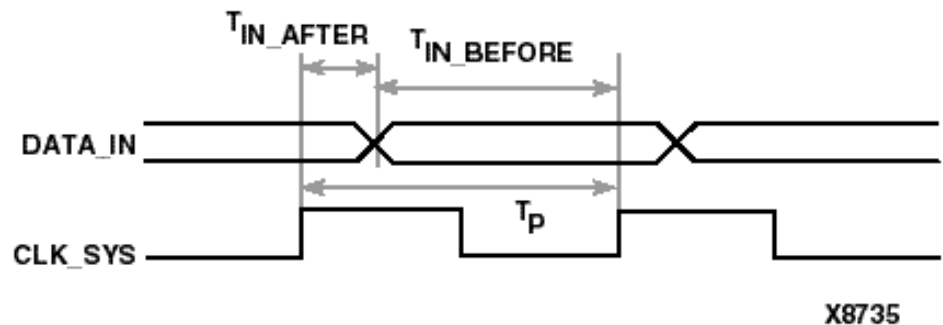


Figure 3-18: Timing Reference Diagram of OFFSET IN Constraint

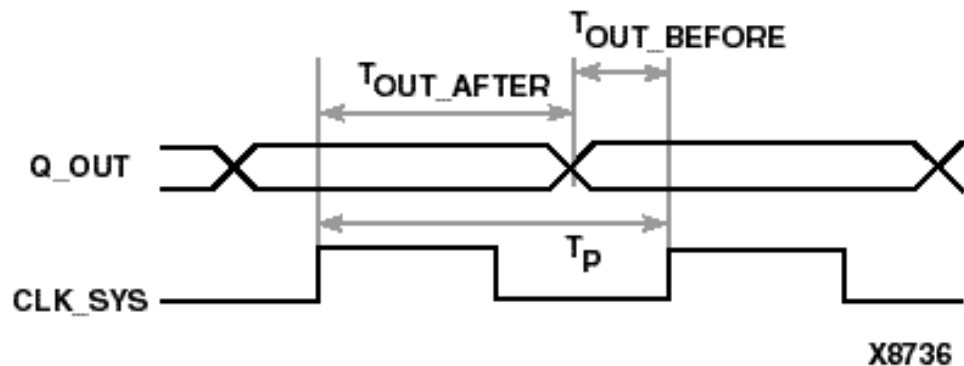


Figure 3-19: Timing Reference Diagram of OFFSET OUT Constraint

The OFFSET constraint:

- Includes clock path delay in the analysis for each individual synchronous element
- Includes paths for all synchronous element types (FFS, RAMS, LATCHES, etc.)
- Allows a global syntax that allows all inputs or outputs to be constrained with respect to an external clock
- Analyzes setup and hold time violation on inputs

The OFFSET constraint automatically accounts for the following clocking path delays when defined and analyzed with the PERIOD constraint:

- Provides accurate timing information and uses the jitter defined on the associated PERIOD constraint
- Increases the amount of time for input signals to arrive at synchronous elements (clock and data paths are in parallel)
 - ◆ Subtracts the clock path delay from the data path delay for inputs
- Reduces the amount of time for output signals to arrive at output pins (clock and data paths are in series)
 - ◆ Adds the clock path delay to the data path delay for outputs
- Includes clock phase introduced by a DLL/DCM for each individual synchronous element defined by the associated PERIOD constraint
- Includes clock phase introduced by a rising or falling clock edge

The initial clock edge for analysis of OFFSET constraints is defined by the HIGH/LOW keyword of the PERIOD constraint:

- HIGH keyword => the initial clock edge is rising
- LOW keyword => the initial clock edge is falling

The initial clock edge for analysis of OFFSET constraints can override the PERIOD constraints default clock edge with the following keywords of the OFFSET constraints:

- RISING keyword => the initial clock edge is rising
- FALLING keyword => the initial clock edge is falling

The OFFSET constraints define the relationship between the external clock pad and the external data pads. The common component between the external clock pad and the external data pads are the synchronous elements. If the synchronous element is driven by

an internal clock net, a FROM:TO constraint is needed to analyze this data path. Internal clocks generated by a DCM/PLL/DLL/PMCD/BUFR are exceptions to this rule. The FROM:TO constraint provides similar analysis as the OFFSET constraints in the following situations:

- Calculate whether a setup time is violated at a synchronous element whose data or clock inputs are derived from internal nets
- Specify the delay of an external output net derived from the Q output of an internal synchronous element that is clocked from an internal net

Paths Covered by OFFSET Constraints

The OFFSET constraints cover the following paths and are shown in [Figure 3-20, “Circuit Diagram of OFFSET Constraints.”](#)

- From input pads to synchronous elements (OFFSET IN)
- From synchronous elements to output pads (OFFSET OUT)

Note: If the clock net that clocks a synchronous element does not come from an input pad (for example, it is derived from another clock or from a synchronous element), then the OFFSET constraint does not return any paths during timing analysis.

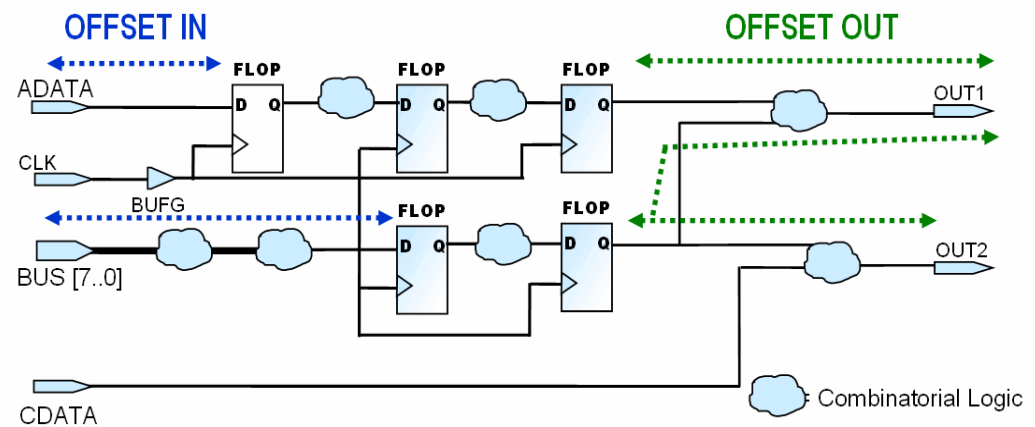


Figure 3-20: Circuit Diagram of OFFSET Constraints

The OFFSET constraint is analyzed with respect to only a single clock edge. If the OFFSET Constraint needs to analyze multiple clock phases or clock edges, as in source synchronous designs or Dual-Data Rate applications, then the OFFSET constraint must be manually adjusted by the clock phase.

The OFFSET constraint does not optimize paths clocked by an internally generated clock. Use FROM:TO or multi-cycle constraints for these paths, taking into account the clock delay. Use the following option to obtain I/O timing analysis on internal clocks or derived clocks:

- Create a FROM:TO or multi-cycle constraint on these paths
- Or determine if the internal clock is related to an external clock signal
 - ◆ Change the requirement based upon the relationship between the two clocks

- ◆ For example, the internal clock is a divide by two version of the external clock, and the original requirement of the OFFSET OUT with the internal clock was 10 ns, then the requirement of the OFFSET OUT with the external clock is 20 ns.

You can specify OFFSET constraints in three levels of coverage:

- A Global OFFSET applies to all inputs or outputs for a specific clock
- A Group OFFSET identifies a group of input or outputs clocked by a common clock, that have the same timing requirement
- A Net-Specific OFFSET specifies the timing by each input or output

Note: OFFSET constraints with a more specific scope override a more general scope.

A group OFFSET overrides a global OFFSET specified for the same I/O. Net-specific OFFSET overrides both global and group OFFSET if used. This priority rule allows you to start with global OFFSETs, and then to create group or net-specific OFFSET constraint for I/O with special timing requirements.

Note: Use global and group OFFSET constraints to reduce memory usage and runtime. Using wildcards in net-specific OFFSET constraint creates multiple net-specific OFFSET constraints, not a group OFFSET constraint.

A group OFFSET constraint can include both a register group and a pad group. Group OFFSET allows you to group pads or registers, or both, to use the same requirement. The register group can be used to identify path source or destination that has different requirements from or to a single pad on a clock edge. The pad group can be used to identify path sources or destinations that have different requirements from or to a group of pads, on the same clock edge. You can group and constrain the pads and registers all at once, which is useful if a clock is used on the rising and falling edge for inputs and outputs.

The rising and falling groups require different group OFFSET constraints. In [Figure 3-21, "OFFSET with different Time groups,"](#) registers A, B, and C are different time groups (TIMEGRP AB = RISING FFS; TIMEGRP C = FALLING FFS;), even though these registers have the same data and clock source. This allows you to perform two different timing analyses for these registers.

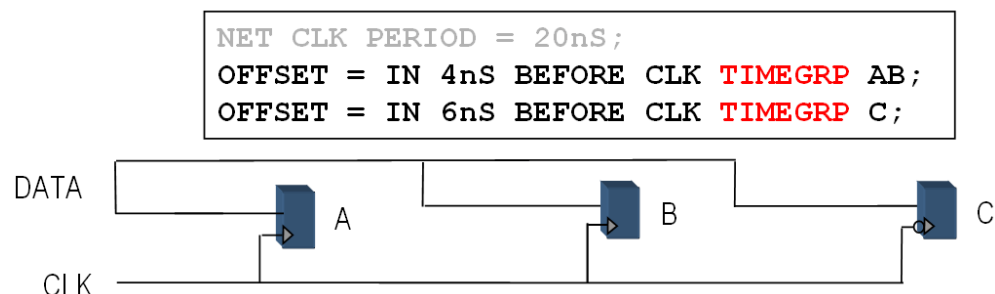


Figure 3-21: OFFSET with different Time groups

Note: For CPLD designs, the clock inputs referenced by the OFFSET constraints must be explicitly assigned to a global clock pin using either a BUFG symbol or applying the BUFG=CLK constraint to an ordinary input). Otherwise, the OFFSET constraint is not used during timing driven optimization of the design.

FROM:TO (Multi-Cycle) Constraints

This section discusses FROM:TO (Multi-cycle) Constraints and includes:

- [“About FROM:TO \(Multi-Cycle\) Constraints”](#)
- [“False Paths or Timing Ignore \(TIG\) Constraint”](#)
- [“Paths Covered by FROM:TO Constraints”](#)

About FROM:TO (Multi-Cycle) Constraints

A multi-cycle path is path that is allowed to take multiple clock cycles. These types of paths are typically covered by a PERIOD constraint by default. They may cause errors since a PERIOD is a one-cycle constraint. To eliminate these errors, remove the paths from the PERIOD constraint by putting a specific multi-cycle constraint on the path.

A multi-cycle constraint is applied by using a FROM:TO constraint.

FROM:TO constraints:

- Have a higher priority than a PERIOD constraint,
- Removes the specified paths from the PERIOD to the FROM:TO constraint

Multicycle constraints:

- Have a higher priority than PERIOD and OFFSET constraints. It pulls paths out of the lower priority constraints and the paths are analyzed by the multicycle constraints.
- Can be tighter or looser than lower priority constraints.
- Constrain a specific path

The specific path can be within the same clock domain, but have a different requirement than the PERIOD constraint. Alternatively, the specific path with a data path, which crosses clock domains are constrained with a multicycle constraint.

A FROM:TO constraint begins at a synchronous element and ends at a synchronous element. For example, if a portion of the design needs to run slower than the PERIOD requirement, use a FROM:TO constraint for the new requirement. The multi-cycle path can also mean that there is more than one cycle between each enabled clock edges. When using a FROM:TO constraint, you must specify the constrained paths by declaring the start and end points, which must be pre-specified time groups (such as PADS, FFS, LATCHES, RAMS), user-specified time groups, or user-specified synchronous points (see TPSYNC).

FROM or TO is optional when constraining a specific path. A FROM multicycle constraint covers a **from** or source time group to the next synchronous elements or pads elements. A TO multicycle constraint covers all previous synchronous elements or pad elements to a **to** or destination time group. Following are some possible combinations:

- FROM:TO
- FROM:THRU:TO
- THRU:TO
- FROM:THRU
- FROM
- TO
- FROM:THRU:THRU:THRU:TO

A FROM:TO constraint can cover the multi-cycle paths that cover the path between clock domains. For example, one clock covers a portion of the design and another clock covers

the rest, but there are paths that go between these two clock domains, as shown in [Figure 3-22](#), “Multicycle constraint covers a cross clock domain path in red.” You must have a clear idea of the design specifics, and take into account the multiple clock domains.

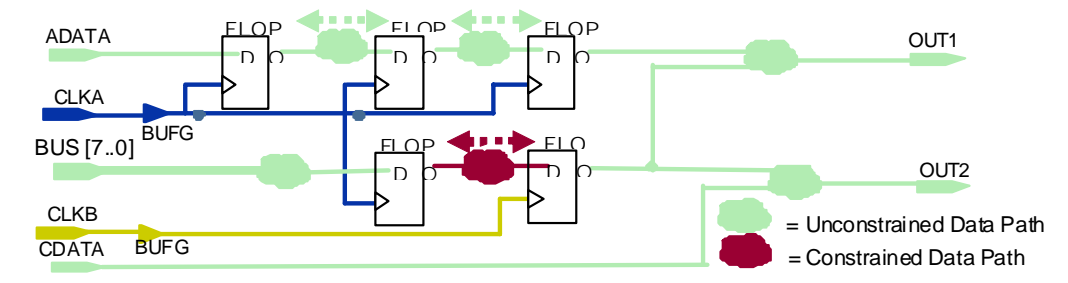


Figure 3-22: Multicycle constraint covers a cross clock domain path in red

The cross clock domain paths between unrelated PERIOD constraints are analyzed in the Unconstrained Paths report. If these paths are related incorrectly, or if they require a different timing requirement, then create a multicycle or FROM:TO constraint. The FROM:TO constraint can be a specific value, related to another TIMESPEC identifier, or TIG (Timing Ignore). A path can be ignored during timing analysis with the label of TIG.

If the clocks are unrelated by the definition of the constraints, but have valid paths between them, then create a FROM:TO constraint to constrain them. To constrain the paths between two clock domains, create time groups based upon each clock domain, then create a FROM:TO for each direction that the paths pass between the two clock domains. Following is an example of a cross clock domain using a FROM:TO constraint. See [Figure 3-23](#), “Cross Clock Domain Path analyzed between red and green flip-flops.”

```
TIMESPEC TS_clk1_to_clk2 = FROM clk1 TO clk2 8 ns;
```

Constrain from time group **clkA** to time group **clkB** to be 8 ns.

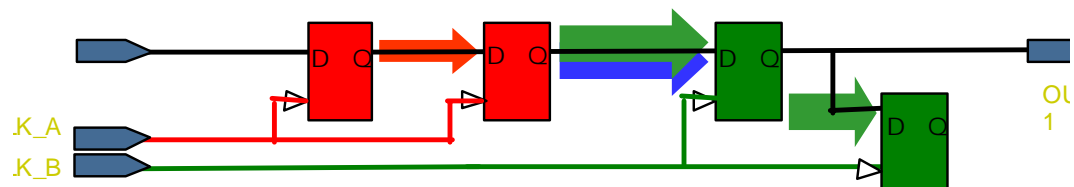


Figure 3-23: Cross Clock Domain Path analyzed between red and green flip-flops

One of the fundamental FROM:TO constraints is the **Pad to Pads** path or asynchronous paths of the design. The FROM:PADS:TO:PADS constraint constrains purely combinatorial paths with the start and endpoints are the Pads of the design. These types of paths are traditionally left unconstrained, since the paths are asynchronous. See [Figure 3-24](#), “Pad-to-Pad Multicycle constraint covers path in RED.” Following is an example of this type of constraint:

```
TIMESPEC TS_Pad2Pad = FROM PADS TO PADS 14.4 ns;
```

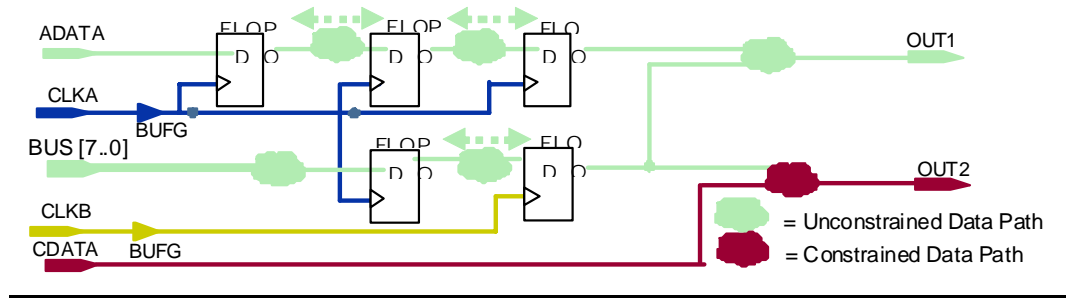


Figure 3-24: Pad-to-Pad Multicycle constraint covers path in RED

In addition to using multicycle constraints in the Pad-to-Pad path, multicycle constraints can be used to define a slow exception of the design. This is an exception from the PERIOD constraint, which constrains the majority of the design. Figure 3-25, “Slow Exception Multicycle constraint overlaps a PERIOD constraint,” shows the use of a FROM:TO slow exception in conjunction with a PERIOD.

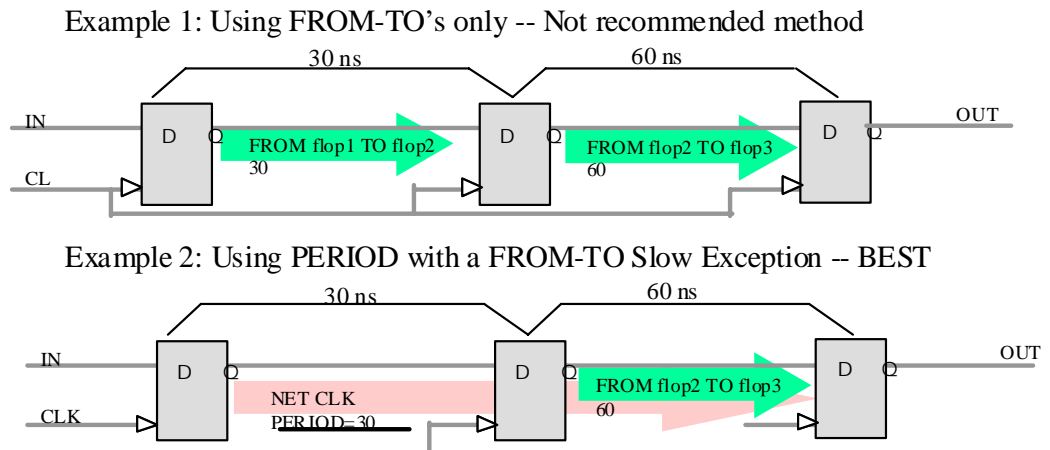


Figure 3-25: Slow Exception Multicycle constraint overlaps a PERIOD constraint

A Clock Enable net can define a slow exception, as shown in Figure 3-26, “Slow Time Group overlaps the Fast Time Group for a FROM:TO exception.”

```
NET clk_en TNM = slow_exception;
NET clk TNM = normal;
```

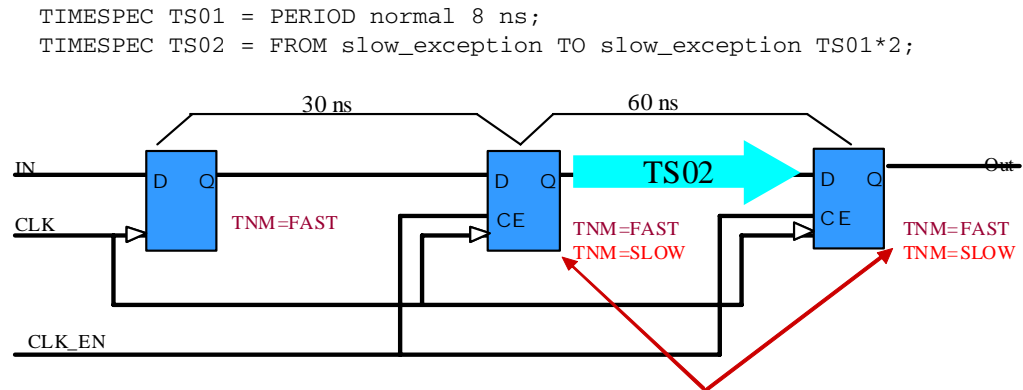


Figure 3-26: Slow Time Group overlaps the Fast Time Group for a FROM:TO exception

Use a TIG constraint to ignore a path between **flopa** and **flopb** passing through net **netand**. See Figure 3-27, “Ignore a path between registers.” To create this from the FROM:TO:TIG constraint:

1. Tag **flopa** for time group **FFA_grp**
2. Tag **flopb** for time group **FFB_grp**
3. Create the following constraint:

```

TIMESPEC TS_FFA_to_FFB = FROM FFA_grp TO FFB_grp TIG;

```

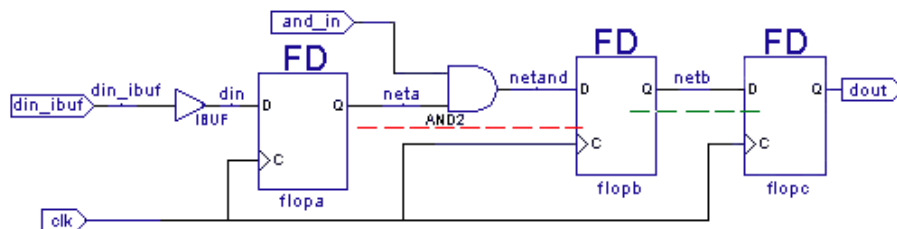


Figure 3-27: Ignore a path between registers

If a specific path needs to be constrained at a faster or slower than the PERIOD constraint, create a FROM:TO for that path. If there are multiple paths between a source and destination synchronous elements, create a FROM:THRU:TO constraint to capture specific paths.

This constraint applies to a specific path that begins at a source time group, passes through intermediate points, and ends at a destination time group. The source and destination time groups can be either user-defined or predefined time groups. The intermediate points of the path are defined using the TPTHRU constraint. There is no limitation on the number of intermediate points in a FROM:TO constraint.

FROM:THRU:TO Constraint Example

Following is an example of a FROM:THRU:TO constraint:

```

NET $3M17/On_the_Way TPTHRU = abc;
TIMESPEC TS_mypath = FROM my_src_grp THRU abc TO my_dest_grp 9 ns;

```

Constrain from time group **my_src_grp** through thru group **abc** to the time group **my_dest_grp** to be 9 ns.

The **my_src_grp** constrains the FIFO shown in Figure 3-28, “NET TPTRU example with previous FROM:THRU:TO constraint example.”

The **my_dest_grp** constrains the registers shown in Figure 3-28, “NET TPTRU example with previous FROM:THRU:TO constraint example.”

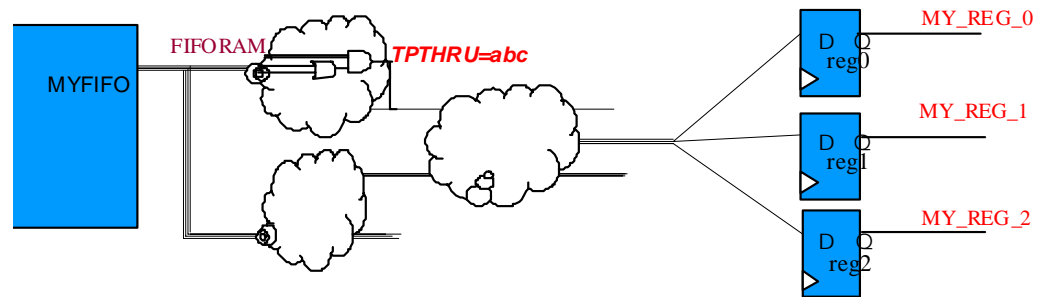


Figure 3-28: NET TPTRU example with previous FROM:THRU:TO constraint example

False Paths or Timing Ignore (TIG) Constraint

A NET TIG constraint covers a specific net and marks nets that are to be ignored for timing analysis purposes. A FROM:TO TIG covers several paths between two synchronous groups or pad groups, and marks all the nets going between the synchronous groups that are to be ignored for timing analysis purposes. An example is shown in Figure 3-29, “Timing Ignore on a path between two flip-flops.”

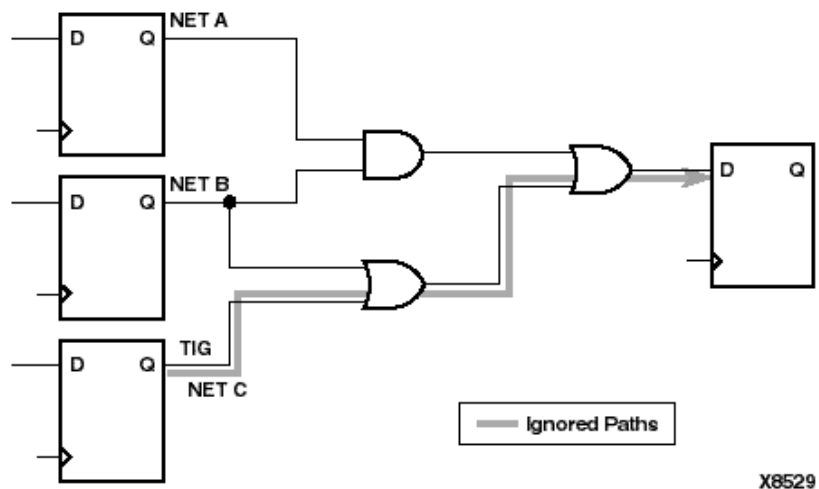


Figure 3-29: Timing Ignore on a path between two flip-flops

You can also use the FROM:THRU:TO constraint to define a non-synchronous path, such as using a common bus for several modules. The timing analysis constrains between these modules, even though the modules do not interact with each other. Since these modules do not interact with each other, you can use a TIG (Timing Ignore) constraint or set the

FROM:TO constraint to a large requirement. Figure 3-30, “Common Bus is the Through Point,” shows an example.

```
NET DATA_BUS* TPTHRU = DataBus;
TIMESPEC TS_TIG = FROM FFS THRU DataBus TO FFS TIG;
OR
TIMESPEC TS_data_bus = FROM FFS THRU DataBus TO FFS 123ns;
```

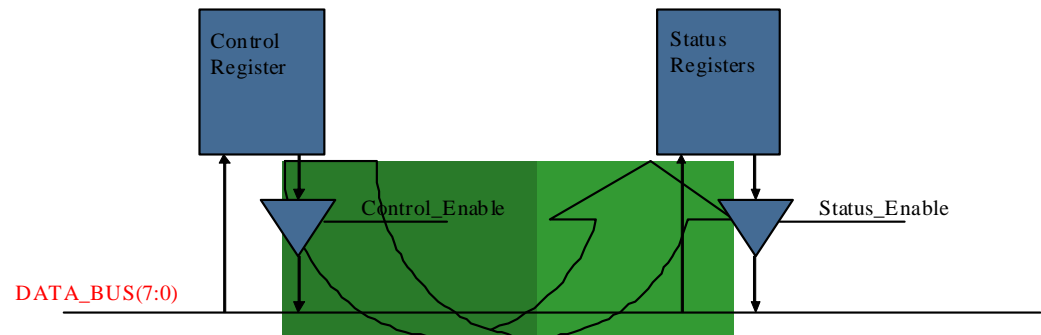


Figure 3-30: Common Bus is the Through Point

In addition to using a TPTHRU constraint, you can apply a TPSYNC constraint to specific pins or combinatorial logic in order to force the timing analysis to stop or start at a non-synchronous point. The TPSYNC constraint defines non-synchronous points as synchronous points for multicycle constraints and analysis. The path to a three-state buffer, for example, can be constrained with the TPSYNC constraint.

Figure 3-31, “Constraint to Three-state Buffer with FROM:TO,” shows an example of constraining the path to the three-state buffer:

```
NET $3M17/Blue TPSYNC = Blue_S;
TIMESPEC TS_1A = FROM FFS TO Blue_S 15;
```

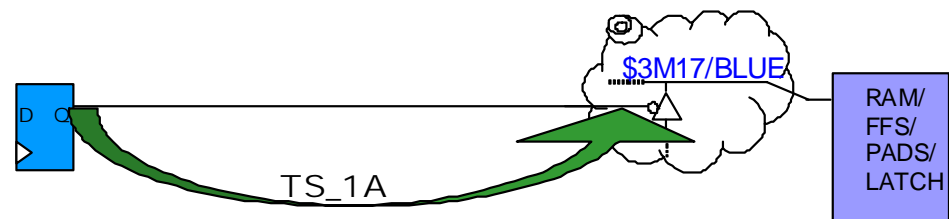


Figure 3-31: Constraint to Three-state Buffer with FROM:TO

Paths Covered by FROM:TO Constraints

The FROM:TO constraint defines a timing requirement between two time groups. It is intended to be used in conjunction with the PERIOD and OFFSET IN/OUT constraints and to define the fast and slow exceptions. It is very versatile as shown in the following examples for a simple design in Figure 3-32, “All paths constrained on a sample design.”

```
TIMESPEC TS_C2S = FROM FFS TO FFS 12 ns;
TIMESPEC TS_P2S = FROM PADS TO FFS 10 ns;
```

```
TIMESPEC TS_P2P = FROM PADS TO PADS 13 ns;
TIMESPEC TS_C2P = FROM FFS TO PADS 8 ns;
```

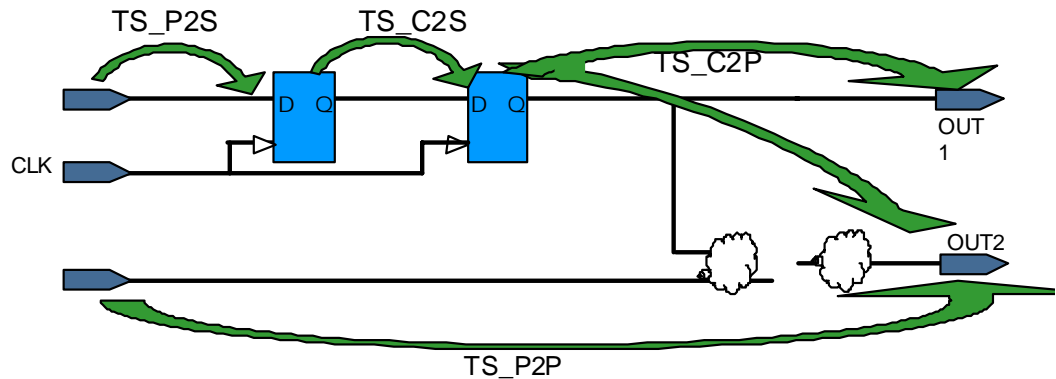


Figure 3-32: All paths constrained on a sample design

When changing analysis from PERIOD to FROM:TO, the number of paths analyzed can be larger than when a path is covered with a PERIOD constraint but the number of Unconstrained Path does not increase. The destination TIMEGRP for the FROM:TO constraint probably contains distributed Dual-Port Synchronous RAMs. Paths to this RAM are both synchronous and asynchronous. For example, the path to the data input (D) is synchronous but the paths to the read address inputs (DPRA) are asynchronous.

A PERIOD constraint constrains only synchronous paths; but a FROM:TO constraint constrains both the synchronous and asynchronous paths to this RAM. For example, a path from an FF to the D input of this RAM is a synchronous path. Constraining this data path is covered by a PERIOD or a FROM:TO constraint. A path from a flip-flop to the DPRA input of this RAM is an asynchronous path to the read address input and is covered only by a FROM:TO constraint.

Timing Constraint Syntax

The grouping constraint syntax is conversational and easy to understand. For more information, see the TNM, TNM_NET, and TIMEGRP constraints in the *Constraints Guide*.

The PERIOD constraint syntax is conversational and easy to understand. For more information, see the PERIOD constraint in the *Constraints Guide*.

The OFFSET IN/OUT constraint syntax is conversational and easy to understand. For more information, see the OFFSET constraint in the *Constraints Guide*.

The multicycle constraint syntax is conversational and easy to understand. For more information, see the FROM:TO (Multicycle) constraint in the *Constraints Guide*.

Creating Timing Constraints

The Constraints Editor uses the design information from the NGD file to create constraints in the UCF. Since Constraints Editor parses the NGD file for the design information, the exact UCF syntax for each design element and constraint is used by the implementation tools.

Constraints Editor allows you to create timing groups and timing constraints for the design. The clocks and IOs are supplied, so the exact spelling of the names is not needed.

You only need to define the timing requirements, and not the syntax, of the constraints. When creating specific time groups, element names are provided, and exceptions to the global constraints can be made using those groups.

Since the Constraints Editor does not create time groups or constraints with wildcards, you must manually modify the UCF to condense the size of the time groups. The condensing of the size of the time groups in the UCF is done with wildcards on the unique portions of the design element and the common portion remains. Following is an example of condensed time groups:

```
INST my_bus* TNM = my_output_bus_grp;
```

The asterisk (*) wildcard causes the constraint system to apply the TNM attribute to all instances with the base name **my_bus**.

Timing Constraint Analysis

This section discusses Timing Constraint Analysis and includes:

- “About Timing Constraint Analysis”
- “PERIOD Constraints”
- “FROM:TO (Multi-Cycle) Constraints”
- “OFFSET IN Constraints”
- “OFFSET OUT Constraints”

About Timing Constraint Analysis

Use the **trce** command to analyze timing constraints. You can run the **trce** command from Timing Analyzer or from the command line

The following sections show the analysis of the following timing constraints:

- “PERIOD Constraints”
- “FROM:TO (Multi-Cycle) Constraints”
- “OFFSET IN Constraints”
- “OFFSET OUT Constraints”

PERIOD Constraints

This section discusses PERIOD Constraints and includes:

- “About PERIOD Constraints”
- “Gated Clocks”
- “Single Clock Domain”
- “Two-Phase Clock Domain”
- “Multiple Clock Domains”
- “Clocks from DCM outputs”
- “Clk0 Clock Domain”
- “Clk90 Clock Domain”
- “Clk2x Clock Domain”
- “CLKDV/CLKFX Clock Domain”

About PERIOD Constraints

PERIOD constraints constrain those data paths from synchronous elements to synchronous elements. The most common examples are single clock domain, two-phase clock domain, and multiple clock domains. A timing report example is provided for each common type of path a PERIOD constraint may cover in your design.

Gated Clocks

The PERIOD constraint does not analyze gated or internally derived clocks correctly. If the clock is gated or goes through a LUT (Look-Up-Table), the timing analysis traces back through each input of the LUT to the source (synchronous elements or pads) of the signals and reports the corresponding “Clock Skew.”

Note: The result of a clock derived from a LUT is that the “Clock Skew” is very large, depending on the levels of logic or number of LUTs.

If the clock has been divided by using internal logic and not by a DCM, the PERIOD constraint on the clock pin of the “Divide down Flip Flop” does not trace through this flip-flop to the Clk_div signal, as shown in Figure 3-33, “Gated Clock with Divide down Flip Flop.”

Note: The timing analysis does not include the downstream synchronous elements, which are driven by the new gated-clock signal.

Unless a global buffer is used, the new clock derived from the **Divide down Flip-Flop** is on local routing. If a PERIOD constraint is placed on the output of the **Divide down Flip-Flop** (shown as the `clk_div` signal in Figure 3-33, “Gated Clock with Divide down Flip Flop”) and is related back to the original PERIOD constraint, the timing analysis includes the downstream synchronous elements.

To ensure that the relationship and the cross-clock domain analysis is correct, the difference between the divided clock and the original clock needs to be included in the PERIOD constraint with the PHASE keyword. The “Clock Skew” can be large, depending on the relationship between the two clocks. Since the PHASE keyword defines the difference between the two clocks, this becomes the timing constraint requirement for the cross clock domain path analysis. If the PHASE keyword value is too small, it is impossible to meet the cross clock domain path analysis.

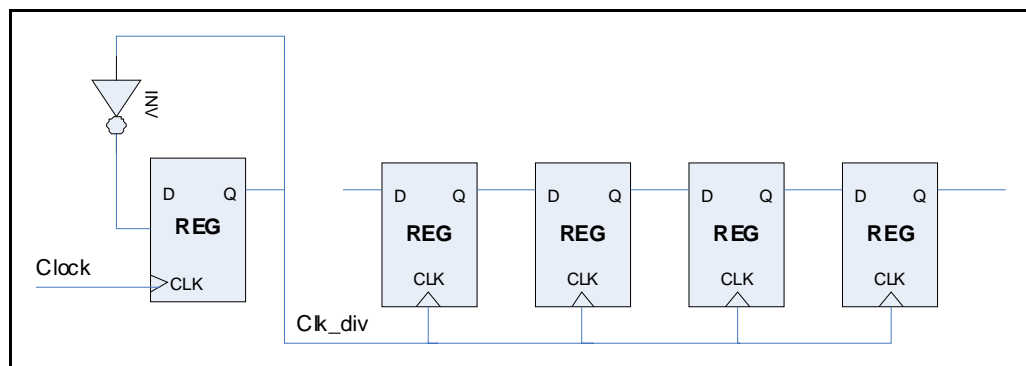


Figure 3-33: Gated Clock with Divide down Flip Flop

Single Clock Domain

A single clock domain is easy to understand and analyze. All the synchronous elements are on the same clock domain and are analyzed on the rising-edge of the clock or all elements are analyzed on the falling-edge of the clock. The clock source is driven by the same clock source, which can be a PAD or DCM/DLL/PLL/PMCD component with only one output.

Note: The timing analysis tool reports the active edges of the clock driver and the corresponding time for the data path between the synchronous elements.

A simple design is shown in [Figure 3-34, “Single Clock Domain Schematic.”](#) The PERIOD constraint is analyzed from the User Constraints File (UCF).

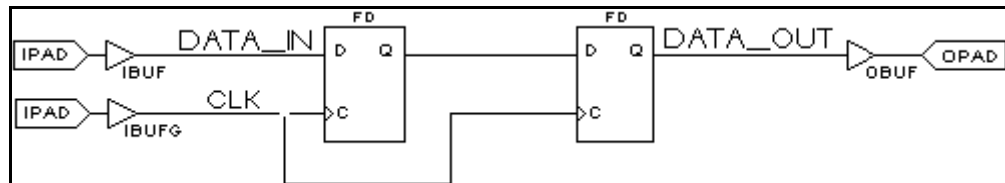


Figure 3-34: Single Clock Domain Schematic

Timing Report Example

Slack (setup path): 3.904ns (requirement - (data path - clock path skew + uncertainty))

Source:	IntA_1 (FF)
Destination:	XorA_1 (FF)
Requirement:	8.000ns
Data Path Delay:	4.036ns (Levels of Logic = 1)
Clock Path Skew:	0.000ns
Source Clock:	clk0 rising at 0.000ns
Destination Clock:	clk0 rising at 8.000ns
Clock Uncertainty:	0.060ns

...

Two-Phase Clock Domain

The analysis of a data path that uses both edges of the clock, as in [Figure 3-35, “Two-Phase Clock,”](#) is known as a two-phase clock. The clock is driven by the same clock source, which can be a PAD, DCM/DLL/PLL/PMCD component with only one output, or DCM/DLL/PLL/PMCD component with outputs that are 180 degrees out of phase (CLK0 and CLK180 or CLK90 and CLK270), but the design uses both edges of the clock. The timing analysis tool does report the active edges of the clock driver and the corresponding time for the data path between the synchronous elements. During analysis, the

requirement time is reduced by half the original requirement, as shown in Figure 3-36, "Relationship between Single-Phase and Two-Phase Clocks."

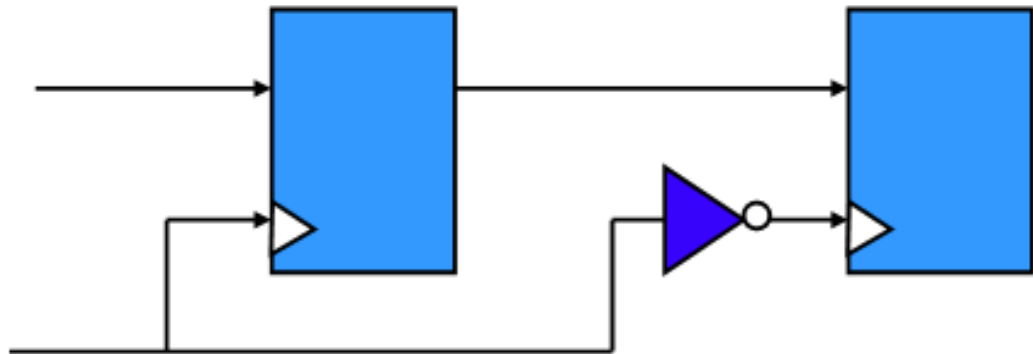


Figure 3-35: Two-Phase Clock

Since the timing report is sorted by the slack value, the worst slack valued path is listed first in the report for each constraint.

Note: When the worst slack value path does not match the Minimum Period value, this is usually caused when the slack value on a two-phase path is not the largest or worst slack value.

The corresponding path to the Minimum Period value is down in the list of paths for the PERIOD constraint. Since the timing tools take the original requirement and reduce it by half for the two-phase clock, the total delay for a two-phase clock is then doubled to give a full period equivalent. This full period equivalent is then used as the Minimum Period value

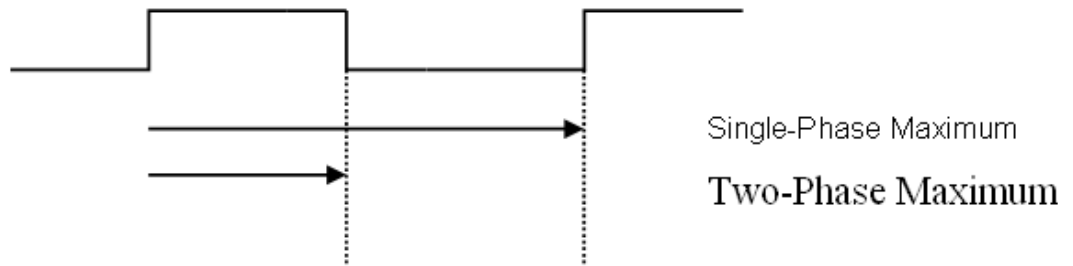


Figure 3-36: Relationship between Single-Phase and Two-Phase Clocks

A two-phase clock example has a requirement of half the PERIOD constraint. If the PERIOD constraint is set to 6 ns and the timing analysis cuts the original requirement in half, to 3ns, for the two-phase data paths. If the two-phase data path has a worst-case delay as 1.309 ns, the full period equivalent is 2.618 ns. The slack on this two-phase data path is 1.691 ns = 3 ns - 1.309 ns. If a full-phase data path delay is 2 ns, which corresponds to a slack value of 4 ns, the two-phase data path is not first in the timing report, but the Minimum Period value is 2.618ns.

Timing Report Example

```
Slack (setup path):      -1.096ns (requirement - (data path - clock path
skew + uncertainty))
Source:                  IntA_1 (FF)
```

```
Destination:           XorA_1 (FF)
Requirement:           3.000ns
Data Path Delay:      4.036ns (Levels of Logic = 1)
Clock Path Skew:      0.000ns
Source Clock:         clk0 rising at 0.000ns
Destination Clock:    clk0 falling at 3.000ns
Clock Uncertainty:    0.060ns
```

...

Multiple Clock Domains

A cross clock domain path is a path that has two different clocks for the source and destination synchronous elements. One clock drives the source and a different clock drives the destination. If the source-clock-PERIOD constraint is related to the destination-clock-PERIOD constraint, the destination-clock-PERIOD constraint covers the cross-clock-domain analysis.

Xilinx recommends relating the clocks via PERIOD constraints, so that the analysis properly includes the cross clock domain paths.

If the clocks are not related, the cross clock domain paths are not analyzed. Xilinx recommends using a FROM:TO or multicycle constraint to either flag it as a false path or multi-cycle path.

Clocks from DCM outputs

Since the clock signals produced by a DCM/DLL/PLL/PMCD are related to each other, the PERIOD constraints should also be related. This can be done in one of two ways

- Allow NGDBuild to create new PERIOD constraints based upon the input clock signal PERIOD constraint.
- Manually create PERIOD constraints based upon the output clock signals of the DCM/DLL/PLL/PMCD and manually relate the PERIOD constraints.

Clk0 Clock Domain

Since the clocks produced by the DCM/PLL/DLL/PMCD are related, the timing tools take this relationship into consideration during analysis. The synchronous element clock pin is driven by the same clock net from a DCM/DLL/PLL/PMCD component output. The timing analysis tool reports the active edges of the clock and the corresponding time for the data path between the synchronous elements.

The example in Figure 3-37, “Clk0 DCM output schematic,” shows a **CLK0** clock circuit with a simple design. This clock domain has the same requirement and phase shifting as the original requirement.

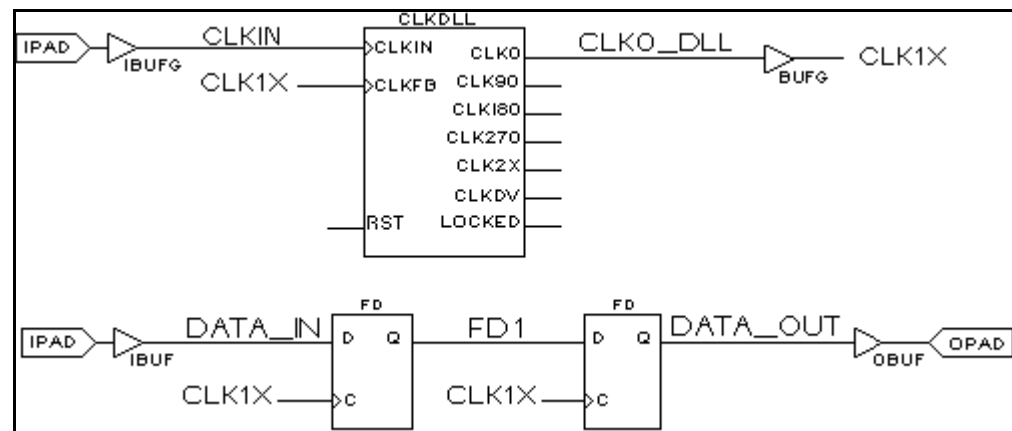


Figure 3-37: Clk0 DCM output schematic

Timing Report Example

```
Slack (setup path):          3.904ns (requirement - (data path - clock path
skew + uncertainty))
Source:                      IntA_1 (FF)
Destination:                 XorA_1 (FF)
Requirement:                 8.000ns
Data Path Delay:             4.036ns (Levels of Logic = 1)
Clock Path Skew:             0.000ns
Source Clock:                clk0 rising at 0.000ns
Destination Clock:          clk0 rising at 8.000ns
Clock Uncertainty:           0.060ns
...
```

Clk90 Clock Domain

Since the clocks produced by the DCM/PLL/DLL/PMCD are related, the timing tools take this relationship into consideration during analysis. The synchronous element clock pins are driven by different clock nets from a DCM/DLL/PLL/PMCD component outputs. The timing analysis tool reports the active edges of the clock and the corresponding time for the data path between the synchronous elements. The example in Figure 3-38, “Clock Phase between DCM outputs,” shows **CLK0** and **CLK90** signals where the phase difference is 90 degrees.

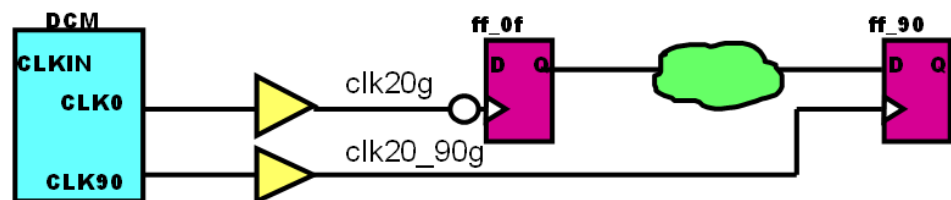


Figure 3-38: Clock Phase between DCM outputs

Another cause of the Minimum PERIOD value differing from the first path listed in the timing report is a cross-clock domain analysis of phase-shifted clocks.

Note: If the phase difference between the two clock domains is 90 degrees, the total data delay is multiplied by four to get to a full period value.

If the data path is 1.5ns for this clock90 constraint, the equivalent full period value is 6 ns.

In addition, for this example, the data path goes from a falling-edge of CLK0 clock signal to the rising-edge of CLK90 clock signal, and the timing analysis includes the two-phase information from CLK0 to do the analysis, as shown in [Figure 3-39, “Clock Edge Relationship.”](#) The original PERIOD constraint was set to 20 ns, but this cross-clock domain analysis has the new requirement of 15 ns, to compensate for the phase difference between the two clocks, as shown in [Figure 3-38, “Clock Phase between DCM outputs.”](#)

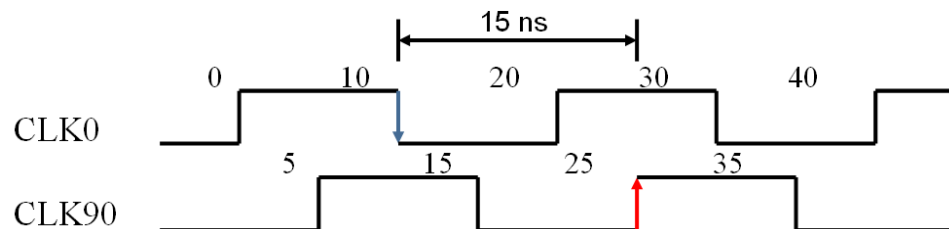


Figure 3-39: Clock Edge Relationship

Timing Report Example

```
Slack (setup path):      5.398ns (requirement - (data path - clock path
skew + uncertainty))
Source:                  IntB_2 (FF)
Destination:            XorB_2 (FF)
Requirement:            8.000ns
Data Path Delay:        2.542ns (Levels of Logic = 1)
Clock Path Skew:        0.000ns
Source Clock:           clk0  falling at 2.000ns
Destination Clock:     clk90 rising at 10.000ns
...

```

```
Slack (setup path):      13.292ns (requirement - (data path - clock path
skew + uncertainty))
Source:                  IntC_2 (FF)
Destination:            XorB_2 (FF)
Requirement:            15.000ns
Data Path Delay:        2.594ns (Levels of Logic = 1)
Clock Path Skew:        -0.086ns
Source Clock:           clk0  falling at 10.000ns
Destination Clock:     clk90 rising at 25.000ns
Clock Uncertainty:      0.200ns
...

```

Clk2x Clock Domain

Since the clocks produced by the DCM/PLL/DLL/PMCD are related, the timing tools take this relationship into consideration during analysis. A simple design of a CLK2X clock domain is illustrated in [Figure 3-40, “Clk2x DCM output schematic.”](#) The clock is driven by the same clock source, which is an output of a DCM/DLL/PLL/PMCD component. The timing analysis tool reports the active edges of the clock and the corresponding time for the data path between the synchronous elements. This clock domain has the

requirement of the original requirement, but the phase shifting is the same as the phase shifting of the original requirement.

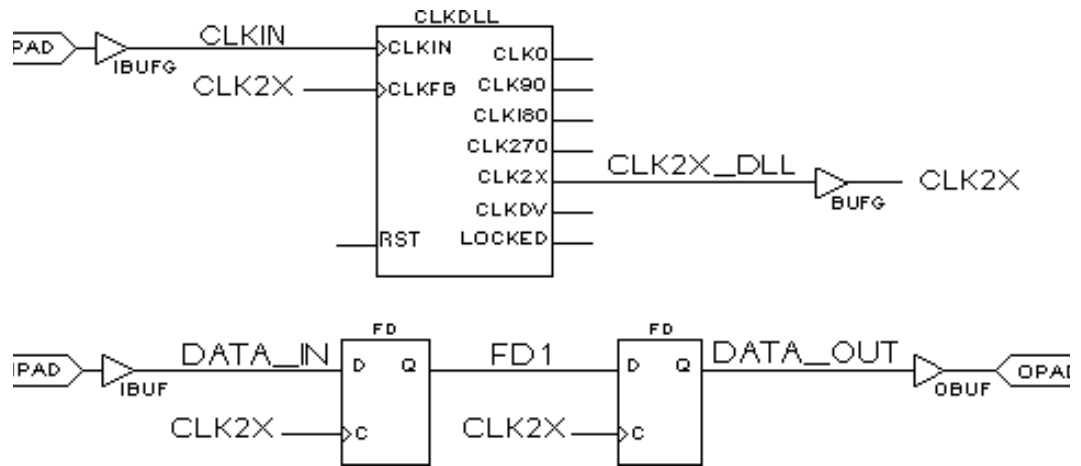


Figure 3-40: Clk2x DCM output schematic

Timing Report Example

```

Slack (setup path):          -1.663ns (requirement - (data path - clock path
skew + uncertainty))
Source:                      IntA_3 (FF)
Destination:                 OutB_3 (FF)
Requirement:                 2.000ns
Data Path Delay:             3.443ns (Levels of Logic = 0)
Clock Path Skew:            -0.020ns
Source Clock:                clk2x rising at 0.000ns
Destination Clock:          clk2x falling at 2.000ns
Clock Uncertainty:          0.200ns
    
```

...

CLKDV/CLKFX Clock Domain

Since the clocks produced by the DCM/PLL/DLL/PMCD are related, the timing tools take this relationship into consideration during analysis. The CLKDV and CLKFX outputs can be used to make clock signals that are derivatives of the original input clock signal, as shown in [Table 3-1, "Transformation of PERIOD Constraint Through DCM."](#) The clock is driven by two different outputs of the DCM/DLL/PLL/PMCD component. The timing analysis tool reports the active edges of the clock and the corresponding time for the data path between the synchronous elements.

The simple design of a CLKDV clock domain, with the DIVIDE_BY factor set to 2, is shown in [Figure 3-41, "ClkDV DCM output schematic."](#) This clock domain has twice the requirement as the original requirement, but the phase shifting is the same as the phase shifting of the original requirement.

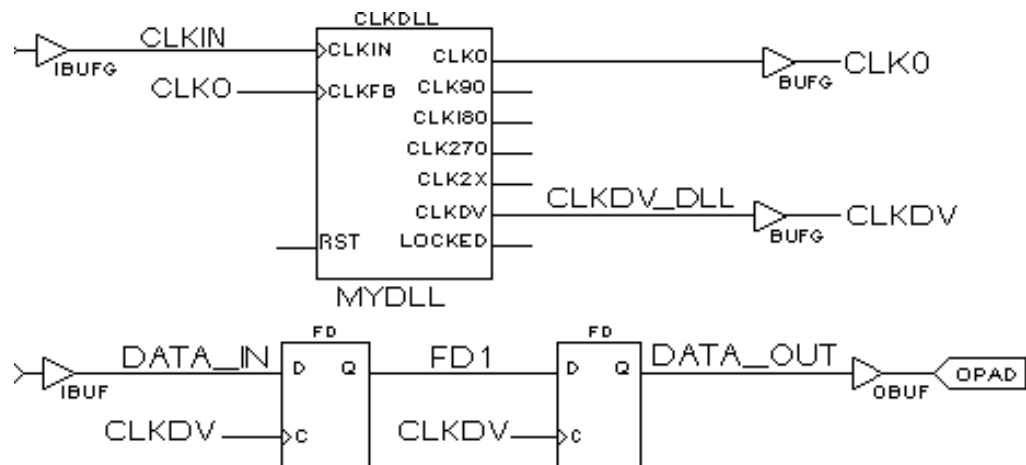


Figure 3-41: CLKDV DCM output schematic

Timing Report Example

```

Slack (setup path):      1.909ns (requirement - (data path - clock path
skew + uncertainty))
Source:                  XorC_7 (FF)
Destination:            OutC_7 (FF)
Requirement:            4.000ns
Data Path Delay:        1.810ns (Levels of Logic = 0)
Clock Path Skew:        0.000ns
Source Clock:           clk0 rising at 0.000ns
Destination Clock:      clkdv rising at 4.000ns
Clock Uncertainty:      0.281ns
...

```

FROM:TO (Multi-Cycle) Constraints

The analysis of the FROM:TO (multi-cycle) constraint includes the clock skew between the source and destination synchronous elements. Clock skew is calculated based upon the clock path to the destination synchronous element minus the clock path to the source synchronous element. The clock skew analysis is done automatically for all clocks being constrained. The analysis includes setup analysis for all device families and setup and hold analysis on Virtex-5 devices and newer. In order to ignore the clock skew in FROM:TO constraints, use the DATAPATHONLY keyword.

DATAPATHONLY indicates that the FROM:TO constraint does not take clock skew or phase information into consideration during the analysis of the design. This keyword results in only the data path between the group being considered and analyzed.

Setup paths are sorted by slacks, based upon the following equation:

$$\text{Tsu slack} = \text{constraint_requirement} - \text{Tclock_skew} - \text{Tdata_path} - \text{Tsu}$$

The setup analysis of a FROM:TO is done by default. The hold analysis is reported for Virtex-5 devices and newer by default. For older devices, the environment variable (XIL_TIMING_HOLDCHECKING YES) must be set to enable the hold analysis.

Hold analyses are performed on register-to-register paths by taking the data path ($T_{\text{cko}} + T_{\text{route_total}} + T_{\text{logic_total}}$) and subtracting the clock skew ($T_{\text{dest_clk}} - T_{\text{src_clk}}$) and the register hold delay (T_{h}). In the TWR report, slack is used to evaluate the hold check:

- Negative slack indicates a hold violations
- Positive slack means there is no hold violation.

The following equation is used for hold slack calculations:

$$\text{Hold Slack} = T_{\text{data}} - T_{\text{skew}} - T_{\text{h}}$$

The detailed path is reported under the constraint that contains that data path. The path is listed by the slack with respect to the requirement. There is a ($-T_{\text{h}}$) identifier of the hold path delay type. This ($-T_{\text{h}}$) appears after the hold delay type to help identify race conditions and hold violations.

Hold analyses are performed on all global and local clock resources. The data path is not adjusted to show possible variances in the PVT across the silicon. Hold violations are generally not seen, as a very short data path delay and a large clock skew is needed before this problem occurs. If a hold violation does occur, the current protocol of PAR and the timing engines is to reduce the clock skew and increase the clock delay for a specific data path if necessary. This means that PAR can change the routing to fix a hold violation.

The hold slack is not related to the constraint requirement. This may be confusing when reviewing the slack and the minimum delay NS period for the constraint. The hold slack is related to the relationship between the clock skew and the data path delay. Only the slack from setup paths affects the minimum delay ns period for the constraint.

The FROM:TO constraint requirement should account for any known external skew between the clock sources if the endpoint registers do not share a common clock or the clocks are unrelated to each other. If the registers share any single common clock source, the skew is calculated only for the unique portions of the clock path to the synchronous elements. If no common clock source points are found, the skew is the difference between the maximum and minimum clock paths. The clock skew is reported in the path header, but the delay details to the source clock pin and destination clock pin are not included.

To determine these delays, use **Analyze Against User Specified Paths ... by defining Endpoints...** in Timing Analyzer. Specify the clock pad input as the source. Specify the registers or synchronous elements in the hold/setup analysis as the destination. The clock delay from the pad to each register clock pin is reported. This custom analysis also works for DLL/DCM/PLL clock paths. To obtain the clock skew, subtract the destination clock delay from the source clock delay. The paths are sorted by total path delay and not slack.

Example One

Constrain the DQS path from an IDDR to the DQ CE pins to be approximately one-half cycle. This insures that the DQ clock enables are de-asserted before any possible DQS glitch at the end of the read postamble can arrive at the input to the IDDR. This value is clock-frequency dependent.

```
INST */gen_dqs*.u_iob_dqs/u_iddr_dq_ce TNM = TNM_DQ_CE_IDDR;
INST */gen_dq*.u_iob_dq/gen_stg2*.u_iddr_dq TNM = TNM_DQS_FLOPS;
TIMESPEC TS_DQ_CE = FROM TNM_DQ_CE_IDDR TO TNM_DQS_FLOPS TS_SYS_CLK *
2;
```

The requirement is based upon the system clock.

Example Two

Constrain the paths from a select pin of a MUX to the next stage of capturing synchronous elements. This value is clock-frequency dependent:

```
NET clk0 TNM = FFS TNM_CLK0;
NET clk90 TNM = FFS TNM_CLK90;
# MUX Select for either rising/falling CLK0 for 2nd stage read capture
INST */u_phy_calib_0/gen_rd_data_sel*.u_ff_rd_data_sel TNM =
TNM_RD_DATA_SEL;
TIMESPEC TS_MC_RD_DATA_SEL = FROM TNM_RD_DATA_SEL TO TNM_CLK0
TS_SYS_CLK * 4;
```

This requirement is based upon the system clock.

Example Three

Constrain the path between DQS gate driving IDDR and the clock enable input to each of the DQ capture IDDR in that DQS group. Note that this requirement is frequency dependent and the user set the following requirement:

```
INST */gen_dqs[*].u_iob_dqs/u_iddr_dq_ce TNM = TNM_DQ_CE_IDDR;
INST */gen_dq[*].u_iob_dq/gen_stg2_*.u_iddr_dq TNM = TNM_DQS_FLOPS;
TIMESPEC TS_DQ_CE = FROM TNM_DQ_CE_IDDR TO TNM_DQS_FLOPS 1.60 ns;
```

This requirement is based upon a system clock of 333 MHz.

OFFSET IN Constraints

This section discusses OFFSET IN Constraints and includes:

- [“About OFFSET IN Constraints”](#)
- [“OFFSET IN BEFORE Constraints”](#)
- [“OFFSET IN AFTER Constraints”](#)

About OFFSET IN Constraints

The OFFSET IN constraint defines the Pad-To-Setup timing requirement. OFFSET IN is an external clock-to-data relationship specification. It takes into account the clock delay, clock edge, and DLL/DCM introduced clock phase when analyzing the setup requirement (**data_delay + setup - clock_delay - clock_arrival**). Clock arrival takes into account any clock phase generated by the DLL/DCM or clock edge.

Note: If the timing report does not display a clock arrival time for an OFFSET constraint, then the timing analysis tools did not analyze a PERIOD constraint for that specific synchronous element.

When you create pad-to-setup requirements, make sure to incorporate any phase or PERIOD adjustment factor into the value specified for an OFFSET IN constraint. For the following example, see the schematic in [Figure 3-3, “TNM on the CLK net traced through combinatorial logic to synchronous elements \(flip-flops\).”](#) If the net from the CLK90 pin of the DLL/DCM clocks a register, then the OFFSET value should be adjusted by one quarter of the PERIOD constraint value. For example, the PERIOD constraint value is 20 ns and is from the CLK90 of the DCM, the OFFSET IN value should be adjusted by an additional 5 ns.

- Original Constraint
`NET "PAD_IN" OFFSET = IN 10 BEFORE "PADCLKIN";`
- Modified Constraint
`NET "PAD_IN" OFFSET = IN 15 BEFORE "PADCLKIN"`

Note: The clock net name required for OFFSET constraints is the clock net name attached to the IPAD. In above example, the clock pad is "PADCLKIN", not "CLK90".

OFFSET IN BEFORE Constraints

The OFFSET IN BEFORE constraint defines the time available for data to propagate from the pad and setup at the synchronous element, as shown in Figure 3-42, "Circuit Diagram with Calculation Variables for OFFSET IN BEFORE constraints." You can visualize this as the time that the data arrives at the edge of the device before the next clock edge arrives at the device. This **OFFSET = IN 2 ns BEFORE clock_pad** constraint reads that the data is valid at the input data pad, some time period (2 ns) BEFORE the reference clock edge arrives at the clock pad. The tools automatically calculate and control internal data and clock delays to meet the flip-flop setup time.

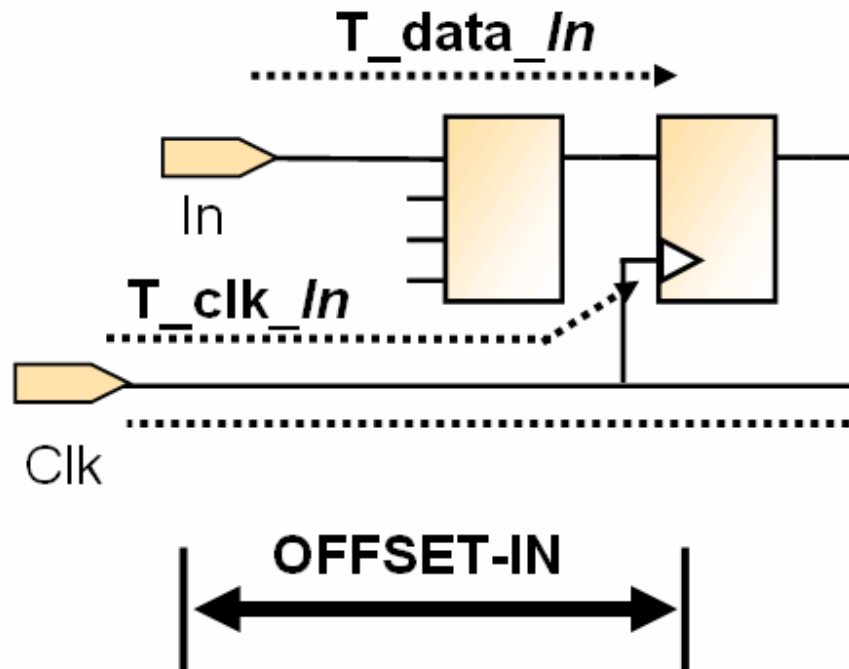


Figure 3-42: Circuit Diagram with Calculation Variables for OFFSET IN BEFORE constraints

The following equation defines the setup relationship.

$$T_{Data} + T_{Setup} - T_{Clock} \leq T_{offset_IN_BEFORE}$$

where

- TSetup = Intrinsic Flip Flop setup time
- TClock = Total Clock path delay to the Flip Flop
- TData = Total Data path delay from the Flip Flop
- Toffset_IN_BEFORE = Overall Setup Requirement

The OFFSET IN requirement value is used as a setup time requirement of the FPGA device during the setup time analysis. The VALID keyword is used in conjunction with the requirement to create a hold time requirement during a hold time analysis. The VALID keyword specifies the duration of the incoming data valid window, and the timing analysis tools do a hold time analysis. By default, the VALID value is equal to the OFFSET time requirement, which specifies a zero hold time requirement (see Figure 3-43, “OFFSET IN Constraint with VALID Keyword”). If the VALID keyword is not specified, no hold analysis is done by default. In order to receive hold analysis without the VALID keyword, use the **fastpaths** option (**trce -fastpaths**) during timing analysis.

The following equation defines the hold relationship.

$$T_{\text{Clock}} - T_{\text{Data}} + T_{\text{hold}} \leq T_{\text{offset_IN_BEFORE_VALID}}$$

where

T_{hold} = Intrinsic Flip Flop hold time
 T_{Clock} = Total Clock path delay to the Flip Flop
 T_{Data} = Total Data path delay from the Flip Flop
 $T_{\text{offset_IN_BEFORE_VALID}}$ = Overall Hold Requirement

Following is an example of the OFFSET IN with the VALID keyword:

```
TIMEGRP DATA_IN OFFSET IN = 1 VALID 3 BEFORE CLK RISING;
TIMEGRP DATA_IN OFFSET IN = 1 VALID 3 BEFORE CLK FALLING;
```

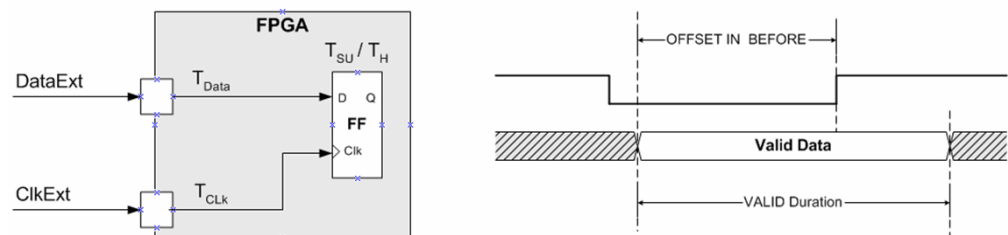


Figure 3-43: OFFSET IN Constraint with VALID Keyword

The OFFSET Constraint is analyzed with respect to the rising clock edge, which is specified with the HIGH keyword of the PERIOD constraint. Set the OFFSET constraint to RISING or FALLING to override the HIGH or LOW setting defined by the PERIOD constraint. This is extremely useful for DDR design, with a 50 percent duty cycle, when the signal is capturing data on the rising and falling clock edges or producing data on rising and falling clock edges. For example, if the PERIOD constraint is set to HIGH, and the OFFSET constraint is set to FALLING, the falling edged synchronous elements have the clock arrival time set to zero.

Following is an example of the OFFSET IN constraint set to RISING and FALLING:

```
TIMEGRP DATA_IN OFFSET IN = 1 VALID 3 BEFORE CLK FALLING;
TIMEGRP DATA_IN OFFSET IN = 1 VALID 3 BEFORE CLK RISING;
```

The equation for external setup included in the OFFSET IN analysis of the FPGA device is:

$$\text{External Setup} = \text{Data Delay} + \text{Flip Flop Setup time} - \text{Prorated version of Clock Path Delay}$$

The longer the clock path delay, the smaller the external setup time becomes. The prorated clock path delay is used to obtain an accurate setup time analysis. The general prorating factors are 85% for Global Routing and 80% for Local Routing.

Note: The prorated clock path delays are not used for families older than Virtex-II device families.

The equation for external hold included in the OFFSET IN analysis of the FPGA device is:

$$\text{External Hold} = \text{Clock Path Delay} + \text{Flip Flop Hold time} - \text{Prorated version of Data Delay}$$

If the data delay is longer than the clock delay, the result is a smaller hold time. The prorated data delays are similar to the prorated values in the setup analysis.

Note: The prorated data delays are not used for families older than Virtex-II device families.

Simple Example

A simple example of the OFFSET IN constraint has an initial clock edge at zero ns based upon the PERIOD constraint. The timing report displays the initial clock edge as the Clock Arrival time.

The resulting timing report displays the:

- Data path
- Clock path
- Clock Arrival time (shown in bold in the example report below)

If the timing report does not display a Clock Arrival time, then the timing analysis tools did not recognize a PERIOD constraint for that particular synchronous element.

In [Figure 3-44, "Timing Diagram of Simple OFFSET IN Constraint,"](#) the OFFSET requirement is three ns before the initial clock edge. The equation used in timing analysis is:

$$\text{Slack} = (\text{Requirement} - (\text{Data Path} - \text{Clock Path} - \text{Clock Arrival}))$$

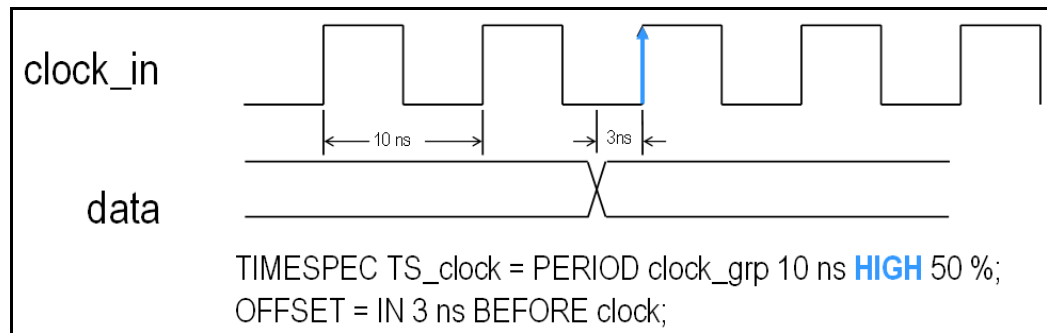


Figure 3-44: Timing Diagram of Simple OFFSET IN Constraint

Timing Report Example

```
Slack: -0.191ns (requirement - (data path - clock path
- clock arrival + uncertainty))
Source: reset (PAD)
Destination: my_oddrA_ODDR_inst/FF0 (FF)
Destination Clock: clock0_ddr_bufg rising at 0.000ns
Requirement: 3.000ns
Data Path Delay: 2.784ns (Levels of Logic = 1)
Clock Path Delay: -0.168ns (Levels of Logic = 3)
Clock Uncertainty: 0.239ns
...
```

Two-Phase Example

A two-phase or both clock edge example of the OFFSET IN constraint has an initial clock edge which correlates to the two edges of the clock:

- The first clock edge is zero ns based upon the PERIOD constraint
- The second clock edge is one-half the PERIOD constraint

The timing report displays the Clock Arrival time for each edge of the clock.

The resulting timing report displays the:

- Data path
- Clock path
- Clock Arrival time (shown in bold in the example report below)

In this example, the PERIOD constraint has the clock arrival on the falling edge, based upon the FALLING keyword. Therefore, the clock arrival time for the falling edge synchronous elements is zero. The rising edge synchronous elements is one-half the PERIOD constraint. If both edges are used, as in Dual-Data Rate, two OFFSET constraints are created: one for each clock edge.

In Figure 3-45, “Timing Diagram with Two-Phase OFFSET IN Constraint,” the OFFSET requirement is three ns before the initial clock edge. If the PERIOD constraint is set to HIGH, and the OFFSET IN constraint is set to FALLING, the following constraints produce the same example report:

```
TIMESPEC TS_clock = PERIOD clock 10 ns HIGH 50%;
OFFSET = IN 3 ns BEFORE clock RISING;
OFFSET = IN 3 ns BEFORE clock FALLING;
```

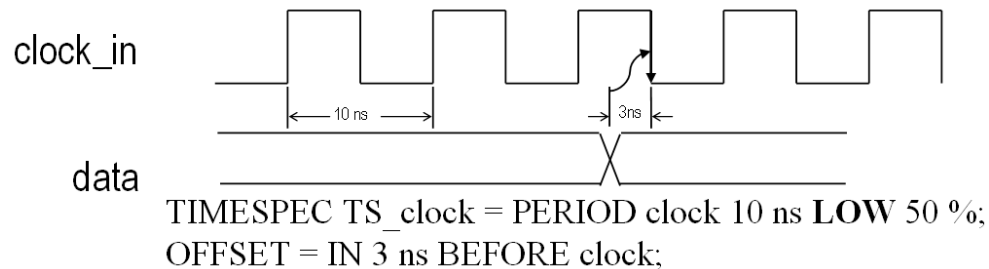


Figure 3-45: Timing Diagram with Two-Phase OFFSET IN Constraint

Timing Report Example

```
Slack: 0.231ns (requirement - (data path - clock path
- clock arrival + uncertainty))
Source: DataD<9> (PAD)
Destination: TmpAa_1 (FF)
Destination Clock: clock0_ddr_bufg falling at 0.000ns
Requirement: 3.000ns
Data Path Delay: 2.492ns (Levels of Logic = 2)
Clock Path Delay: -0.038ns (Levels of Logic = 3)
Clock Uncertainty: 0.239ns
...
```

Phase-Shifted Example

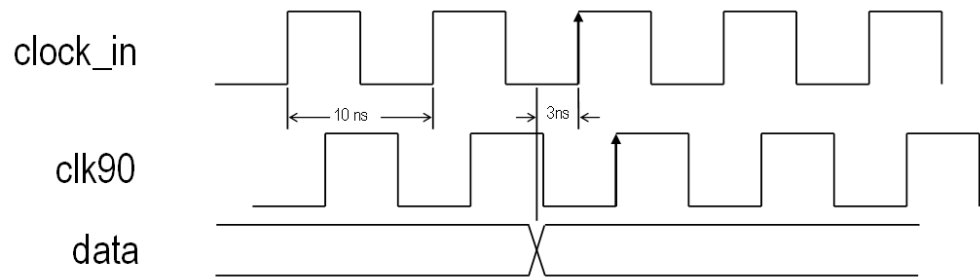
A DCM phase-shifted clock, **CLK90**, example of the OFFSET IN constraint has an initial clock edge at zero ns based upon the PERIOD constraint. Since the clock is phase-shifted

by the DCM, the timing report displays the Clock Arrival time as the phase-shifted amount. If the **CLK90** output is used, then the phase-shifted amount is one quarter of the PERIOD. In this example, the PERIOD constraint has the initial clock arrival on the rising edge, but the clock arrival value is at 2.5ns.

The resulting timing report displays the:

- Data path
- Clock path
- Clock Arrival time (shown in bold in the example report below)

In Figure 3-46, “Timing Diagram for Phase Shifted Clock in OFFSET IN Constraint,” the OFFSET requirement is three ns before the initial clock edge.



```
TIMESPEC TS_clock = PERIOD clock_grp 10 ns HIGH 50 %;
OFFSET = IN 3 ns BEFORE clock;
```

Figure 3-46: Timing Diagram for Phase Shifted Clock in OFFSET IN Constraint

Timing Report Example

```
Slack: -2.308ns (requirement - (data path - clock path
- clock arrival + uncertainty))
Source: reset (PAD)
Destination: my_oddrA_ODDR_inst/FF0 (FF)
Destination Clock: clock90_bufg rising at 2.500ns
Requirement: 3.000ns
Data Path Delay: 2.784ns (Levels of Logic = 1)
Clock Path Delay: -0.168ns (Levels of Logic = 3)
Clock Uncertainty: 0.239ns
...
```

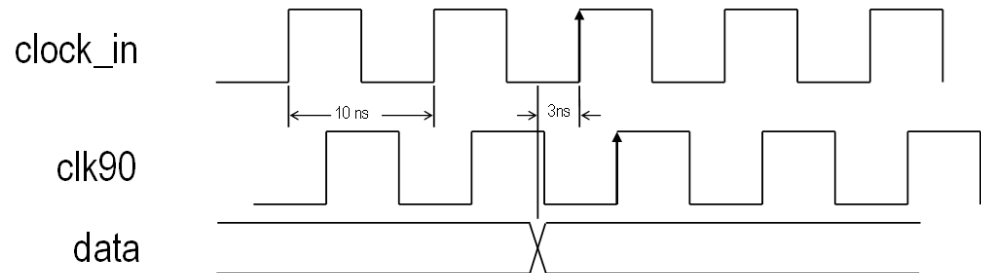
Fixed Phase-Shifted Example

A DCM fixed phase-shifted clock example of the OFFSET IN constraint has an initial clock edge at zero ns based upon the PERIOD constraint. Since the clock is phase-shifted by the DCM, the timing report displays the Clock Arrival time as the phase-shifted amount.

If the CLK0 output is phase-shifted by a user-specified amount, then the phase-shifted amount is a percentage of the PERIOD. In the following example, the PERIOD constraint has the initial clock arrival on the rising edge, but the clock arrival value is at the fixed phase shifted amount, as seen in the example timing report. The resulting timing report displays the:

- Data path
- Clock path
- Clock Arrival time (shown in bold in the example report below)

In Figure 3-47, “Timing Diagram of Fixed Phase Shifted Clock in OFFSET IN Constraint,” the OFFSET requirement is three ns before the initial clock edge.



```
TIMESPEC TS_clock = PERIOD clock_grp 10 ns HIGH 50 %;
OFFSET = IN 3 ns BEFORE clock;
```

Figure 3-47: Timing Diagram of Fixed Phase Shifted Clock in OFFSET IN Constraint

Timing Report Example

```
Slack: -4.269ns (requirement - (data path - clock path
- clock arrival + uncertainty))
Source: DataD<9> (PAD)
Destination: TmpAa_1 (FF)
Destination Clock: clock1_fixed_bufg rising at 4.500ns
Requirement: 3.000ns
Data Path Delay: 2.492ns (Levels of Logic = 2)
Clock Path Delay: -0.038ns (Levels of Logic = 3)
Clock Uncertainty: 0.239ns
```

...

Dual-Data Rate Example

A Dual-Data Rate example of the OFFSET IN constraint has an initial clock edge at zero ns and half the PERIOD constraint, which correlates to the two clock edges. The timing report displays the Clock Arrival time for each edge of the clock. Since the timing analysis tools do not automatically adjust any of the clock phases during analysis, the constraints must be manually adjusted for each clock edge. The timing analysis tools offer two options to manage the falling edge Clock Arrival time.

The resulting timing report displays the:

- Data path
- Clock path
- Clock Arrival time (shown in bold in the example report below)

Option One

The first option is to create two time groups, one for rising edge synchronous elements and the second for the falling edge synchronous elements. Then create an OFFSET IN constraint for each time group, the second OFFSET IN constraint has a different requirement.

The falling edge OFFSET IN constraint requirement equals the original requirement minus one-half the PERIOD constraint. Therefore, if the original requirement is 3 ns with a PERIOD of 10 ns, the falling edge OFFSET IN constraint requirement is -2 ns. This

compensates for the Clock Arrival time associated with the falling edge synchronous elements. The negative value is legal in the constraints language.

Option Two

The second option is to create one time group and one corresponding OFFSET IN constraint with the original constraint requirement for each clock edge. The only addition is the RISING/FALLING keyword (if the PERIOD constraint has the HIGH keyword). The analysis with the RISING/FALLING keywords is based upon the active clock edge for the synchronous element. The requirement for the rising clock edge elements is set in the OFFSET IN RISING constraint. The requirement for the falling clock edge elements are set in the OFFSET IN FALLING constraint.

In this example, since the PERIOD constraint has the clock arrival on both the rising edge and falling edge, the clock arrival value is 0 ns and 5 ns. In Figure 3-48, "Timing Diagram for Dual Data Rate in OFFSET IN Constraint," the OFFSET requirement is three ns before the initial clock edge.

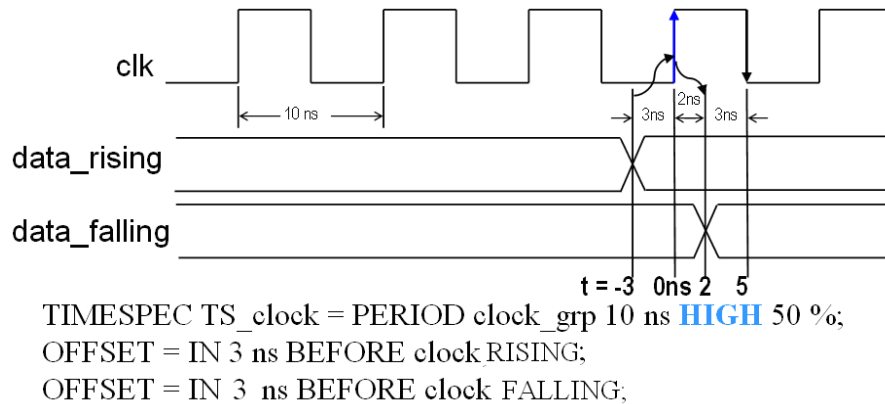


Figure 3-48: Timing Diagram for Dual Data Rate in OFFSET IN Constraint

Timing Report Example for OFFSET = IN 3 ns BEFORE clock RISING

```

Slack:                0.101ns (requirement - (data path - clock path
- clock arrival + uncertainty))
Source:               DataA<3> (PAD)
Destination:         TmpAa_3 (FF)
Destination Clock:   clock0_ddr_bufg rising at 0.000ns
Requirement:         3.000ns
Data Path Delay:     2.654ns (Levels of Logic = 2)
Clock Path Delay:    -0.006ns (Levels of Logic = 3)
Clock Uncertainty:   0.239ns
...
  
```

Timing Report Example for OFFSET = IN 3 ns BEFORE clock FALLING

```
Slack:                0.101ns (requirement - (data path - clock path
- clock arrival + uncertainty))
Source:               DataA<3> (PAD)
Destination:         TmpAa_3 (FF)
Destination Clock:   clock0_ddr_bufg falling at 0.000ns
Requirement:         3.000ns
Data Path Delay:     2.654ns (Levels of Logic = 2)
Clock Path Delay:    -0.006ns (Levels of Logic = 3)
Clock Uncertainty:   0.239ns
```

...

OFFSET IN AFTER Constraints

The OFFSET IN AFTER constraint describes the time used by the data external to the FPGA device. OFFSET IN subtracts this time from the PERIOD declared for the clock to determine the time available for the data to propagate from the pad to the setup at the synchronous element. You can visualize this time as the difference of data arriving at the edge of the device after the current clock edge arrives at the edge of the device.

This **OFFSET = IN 2 ns AFTER clock_pad** constraint reads that the Data to be registered in the FPGA device is available on the FPGA's input Pad, some time period (2ns), AFTER the reference clock edge is seen by the Upstream Device. For the purposes of the OFFSET constraint syntax, assume no skew on CLK between the chips.

The following equation defines this relationship.

$$T_{Data} + T_{Setup} - T_{Clock} \leq T_{Period} - T_{offset_IN_AFTER}$$

where

```
TSetup = Intrinsic Flip Flop setup time
TClock = Total Clock path delay to the Flip Flop
TData = Total Data path delay from the Flip Flop
TPeriod = Single Cycle PERIOD Requirement
Toffset_IN_AFTER = Overall Setup Requirement
```

A PERIOD or FREQUENCY constraint is required for OFFSET IN constraints with the AFTER keyword.

OFFSET OUT Constraints

This section discusses OFFSET OUT Constraints and includes:

- [“About OFFSET OUT Constraints”](#)
- [“OFFSET OUT AFTER Constraints”](#)
- [“OFFSET OUT BEFORE Constraints”](#)

About OFFSET OUT Constraints

The OFFSET OUT constraint defines the Clock-to-Pad timing requirements. The OFFSET OUT constraint is an external clock-to-data specification and takes into account the clock delay, clock edge, and DLL/DCM introduced clock phase when analyzing the clock to out requirements:

$$\text{Clock to Out} = \text{clock_delay} + \text{clock_to_out} + \text{data_delay} + \text{clock_arrival}$$

Clock arrival time takes into account any clock phase generated by the DLL/DCM or clock edge. If the timing report does not display a clock arrival time, the timing analysis tools did not analyze a PERIOD constraint for that specific synchronous element.

When you create clock-to-pad requirements, be sure to incorporate any phase or PERIOD adjustment factor into the value specified for an OFFSET OUT constraint. (For the following example, see [Figure 3-38, “Clock Phase between DCM outputs.”](#)) If the register is clocked by the net from the CLK90 pin of the DCM, which has a PERIOD of 20 ns, the OFFSET value should be adjusted by 5 ns less than the original constraint.

- Original Constraint

```
NET "PAD_OUT" OFFSET = OUT 15 AFTER "PADCLKIN";
```
- Modified Constraint

```
NET "PAD_OUT" OFFSET = OUT 10 AFTER "PADCLKIN";
```

OFFSET OUT AFTER Constraints

The OFFSET OUT AFTER constraint defines the time available for the data to propagate from the synchronous element to the pad, as shown in [Figure 3-49, “Circuit Diagram with Calculation Variables for OFFSET OUT AFTER constraints.”](#) You can visualize this time as the data leaving the edge of the device after the current clock edge arrives at the edge of the device. This **OFFSET = OUT 2 ns AFTER clock_pad** constraint reads that the Data to be registered in the Downstream Device is available on the FPGA device’s data output pad, some time period (2 ns), AFTER the reference clock pulse is seen by the FPGA device, at the clock pad.

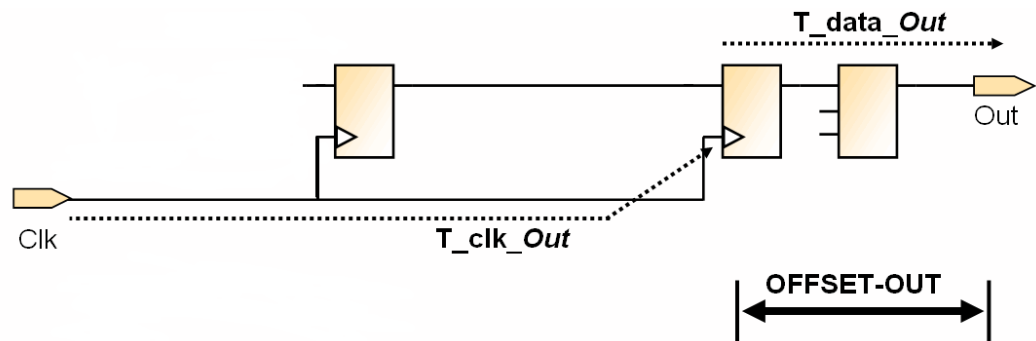


Figure 3-49: Circuit Diagram with Calculation Variables for OFFSET OUT AFTER constraints

The following equation defines this relationship.

$$Q + T_{Data2Out} + T_{Clock} \leq T_{offset_OUT_AFTER}$$

where

- TQ = Intrinsic Flip Flop Clock to Out
- TClock = Total Clock path delay to the Flip Flop
- TData2Out = Total Data path delay from the Flip Flop
- Toffset_OUT_AFTER = Overall Clock to Out Requirement

The analysis of this constraint involves ensuring that the maximum delay along the reference path (CLK_SYS to COMP) and the maximum delay along the data path (COMP to Q_OUT) do not exceed the specified offset.

The OFFSET RISING/FALLING keyword can be used to override the HIGH/LOW keyword defined by the PERIOD constraint. This is very useful for DDR design, with a 50% duty cycle, when the signal is capturing data on the rising and falling clock edges or producing data on a rising and falling clock edges. For example, if the PERIOD constraint is HIGH and the OFFSET constraint is FALLING, the clock arrival time of the falling edged synchronous elements is set to zero.

Following is an example of OFFSET OUT set to RISING or FALLING:

```
TIMEGRP DATA_OUT OFFSET OUT = 10 AFTER CLK FALLING;
TIMEGRP DATA_OUT OFFSET OUT = 10 AFTER CLK RISING;
```

Simple Example

A simple example of the OFFSET OUT constraint has the initial clock edge at zero ns based upon the PERIOD constraint. The timing report displays the initial clock edge as the Clock Arrival time.

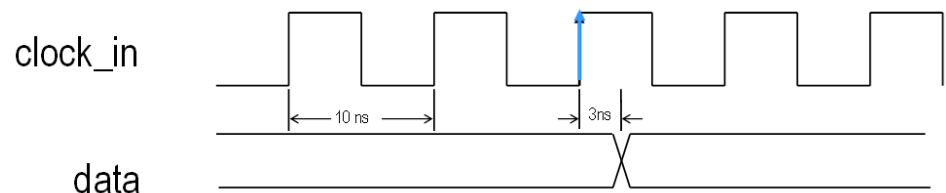
The resulting timing report displays the:

- Data path
- Clock path
- Clock Arrival time (shown in bold in the sample report below)

If the timing report does not display a Clock Arrival time, the timing analysis tools did not recognize a PERIOD constraint for that particular synchronous element.

In [Figure 3-50, "Timing Diagram of simple OFFSET OUT constraint,"](#) the OFFSET requirement is three ns. The equation used in timing analysis is:

$$\text{Slack} = (\text{Requirement} - (\text{Clock Arrival} + \text{Clock Path} + \text{Data Path}))$$



```
TIMESPEC TS_clock = PERIOD clock_grp 10 ns HIGH 50 %;
OFFSET = OUT 3 ns AFTER clock;
```

Figure 3-50: Timing Diagram of simple OFFSET OUT constraint

Timing Report Example

```
Slack: -0.865ns (requirement - (clock arrival + clock
path + data path + uncertainty))
Source: OutD_7 (FF)
Destination: OutD<7> (PAD)
Source Clock: clock3_std_bufg rising at 0.000ns
Requirement: 3.000ns
Data Path Delay: 3.405ns (Levels of Logic = 1)
Clock Path Delay: 0.280ns (Levels of Logic = 3)
Clock Uncertainty: 0.180ns
...
```

Two-Phase Example

In a two-phase (use of both edges) example of the OFFSET OUT constraint, the initial clock edge correlates to the two edges of the clock.

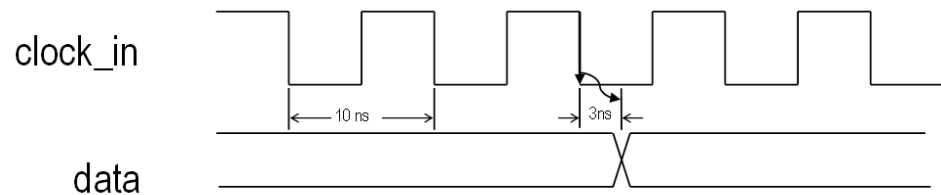
- The first clock edge is at zero ns based upon the PERIOD constraint.
- The second clock edge is one-half the PERIOD constraint.

The timing report displays the Clock Arrival time for each edge of the clock. In this example, the clock arrival for the PERIOD LOW constraint is on the falling edge. Therefore the clock arrival time for the falling edge synchronous elements is zero. The rising edge synchronous elements are half the PERIOD constraint.

The resulting timing report displays the:

- Data path
- Clock path
- Clock Arrival time (shown in bold)

In Figure 3-51, “Timing Diagram of Two-Phase in OFFSET OUT Constraint,” the OFFSET requirement is three ns.



```
TIMESPEC TS_clock = PERIOD clock 10 ns LOW 50 %;
OFFSET = OUT 3 ns AFTER clock;
```

Figure 3-51: Timing Diagram of Two-Phase in OFFSET OUT Constraint

Timing Report Example

```
Slack: -0.865ns (requirement - (clock arrival + clock
path + data path + uncertainty))
Source: OutD_7 (FF)
Destination: OutD<7> (PAD)
Source Clock: clock3_std_bufg falling at 0.000ns
Requirement: .3.000ns
Data Path Delay: 3.405ns (Levels of Logic = 1)
Clock Path Delay: 0.280ns (Levels of Logic = 3)
Clock Uncertainty: 0.180ns
...
```

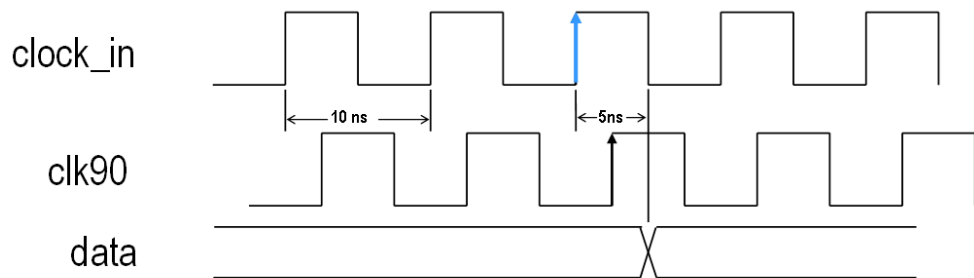
Phase-Shifted Example

A DCM phase-shifted, CLK90, example of the OFFSET OUT constraint has the initial clock edge at zero ns based upon the PERIOD constraint. Since the clock is phase-shifted by the DCM, the timing report displays the Clock Arrival time as the phase-shifted amount. If the CLK90 output is used, the phase-shifted amount is one quarter of the PERIOD. The Clock Arrival time corresponds to the phase shifting amount, which is 2.5 ns in this case.

The resulting timing report displays the:

- Data path
- Clock path
- Clock Arrival time (shown in bold)

In Figure 3-52, “Timing Diagram of Phase Shifted Clock in OFFSET OUT Constraint,” the OFFSET requirement is five ns.



```
TIMESPEC TS_clock = PERIOD clock_grp 10 ns HIGH 50%;
OFFSET = OUT 5 ns AFTER clock;
```

Figure 3-52: Timing Diagram of Phase Shifted Clock in OFFSET OUT Constraint

Timing Report Example

```
Slack: -1.365ns (requirement - (clock arrival + clock
path + data path + uncertainty))
Source: OutD_7 (FF)
Destination: OutD<7> (PAD)
Source Clock: clock3_std_bufg rising at 2.500ns
Requirement: 5.000ns
Data Path Delay: 3.405ns (Levels of Logic = 1)
Clock Path Delay: 0.280ns (Levels of Logic = 3)
Clock Uncertainty: 0.180ns
...
```

Fixed Phase-Shifted Example

A DCM fixed phase-shifted example of the OFFSET OUT constraint has the initial clock edge at 0 ns, based upon the PERIOD constraint. Since the clock is phase-shifted by the DCM, the timing report displays the Clock Arrival time as the phase-shifted amount.

If the CLK0 output is phase-shifted, by a user-specified amount, the phase-shifted amount is a percentage of the PERIOD. In this example, the PERIOD constraint has the initial clock arrival on the rising edge, but the clock arrival value is at the fixed phase-shifted amount (as seen in the example timing report). The Clock Arrival time corresponds to the phase-shifting amount.

The resulting timing report displays the:

- Data path
- Clock path
- Clock Arrival time (shown in bold)

In Figure 3-53, “Timing Diagram of Fixed Phase Shifted Clock in OFFSET OUT Constraint,” the OFFSET requirement is five ns.

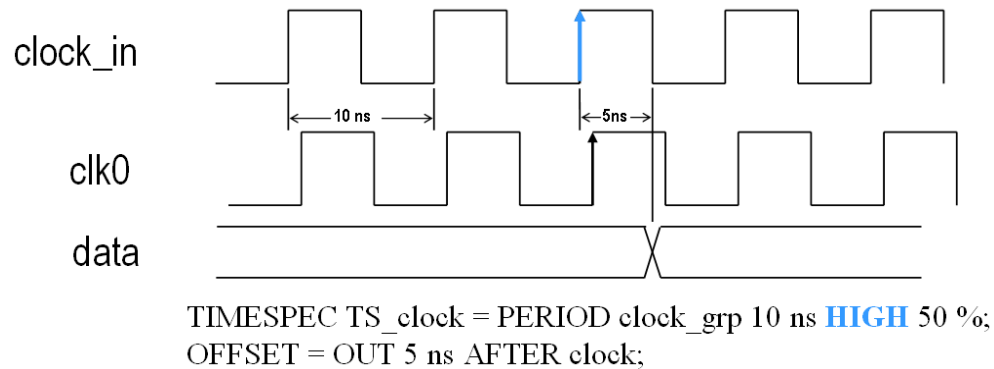


Figure 3-53: Timing Diagram of Fixed Phase Shifted Clock in OFFSET OUT Constraint

Timing Report Example

```
Slack:                0.535ns (requirement - (clock arrival + clock
path + data path + uncertainty))
Source:               OutD_7 (FF)
Destination:         OutD<7> (PAD)
Source Clock:         clock3_std_bufg rising at 0.600ns
Requirement:         5.000ns
Data Path Delay:     3.405ns (Levels of Logic = 1)
Clock Path Delay:    0.280ns (Levels of Logic = 3)
Clock Uncertainty:   0.180ns
...
```

Dual-Data Rate Example

A dual-data rate example of the OFFSET OUT constraint has the initial clock edge at zero ns and half the PERIOD constraint, which correlates to the two edges of the clock. The timing report displays the Clock Arrival time for each edge of the clock. Since the timing analysis tools do not automatically adjust any of the clock phases during analysis, the constraints must be manually adjusted for each clock edge. The timing analysis tools offer two options to manage the falling edge Clock Arrival time.

The resulting timing report displays the:

- Data path
- Clock path
- Clock Arrival time (shown in bold)

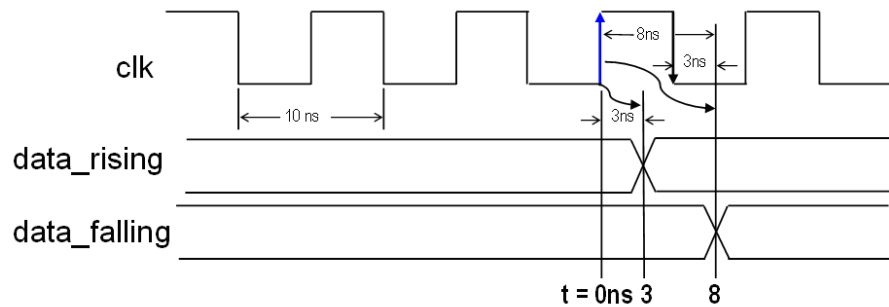
Option One

The first option is to create two time groups, one for rising edge synchronous elements and the second for the falling edge synchronous elements. When you create an OFFSET OUT constraint for each time group, the second OFFSET OUT constraint has a different requirement. The falling edge OFFSET OUT constraint requirement equals the original requirement plus one-half the PERIOD constraint. If the original requirement is 3 ns with a PERIOD of 10, the falling edge OFFSET OUT constraint requirement is 8 ns. This compensates for the Clock Arrival time associated with the falling edge synchronous elements.

Option Two

The second option is to create one time group and one corresponding OFFSET OUT constraint with the original constraint requirement. The only addition is the FALLING keyword for the falling edged elements and the RISING keyword for the rising edge elements.

In Figure 3-54, “Timing Diagram of Dual Data Rate in OFFSET OUT Constraint,” the OFFSET requirement is three ns.



```
TIMESPEC TS_clk = PERIOD clock_grp 10 ns HIGH 50 %;
OFFSET = OUT 3 ns AFTER clock RISING;
OFFSET = OUT 3 ns AFTER clock FALLING;
```

Figure 3-54: Timing Diagram of Dual Data Rate in OFFSET OUT Constraint

Timing Report Example of OFFSET = OUT 3 ns AFTER clock RISING

```
Slack: -0.783ns (requirement - (clock arrival + clock
path + data path + uncertainty))
Source: OutA_4 (FF)
Destination: OutA<4> (PAD)
Source Clock: clock0_ddr_bufg rising at 0.000ns
Requirement: 3.000ns
Data Path Delay: 3.372ns (Levels of Logic = 1)
Clock Path Delay: 0.172ns (Levels of Logic = 3)
Clock Uncertainty: 0.239ns
```

...

Timing Report Example of OFFSET = OUT 8 ns AFTER clock FALLING

```
Slack: -0.783ns (requirement - (clock arrival + clock
path + data path + uncertainty))
Source: OutA_4 (FF)
Destination: OutA<4> (PAD)
Source Clock: clock0_ddr_bufg falling at 0.000ns
Requirement: 3.000ns
Data Path Delay: 3.372ns (Levels of Logic = 1)
Clock Path Delay: 0.172ns (Levels of Logic = 3)
Clock Uncertainty: 0.239ns
```

...

OFFSET OUT BEFORE Constraints

The OFFSET OUT BEFORE constraint defines the time used by the data external to the FPGA. OFFSET subtracts this time from the clock PERIOD to determine the time available for the data to propagate from the synchronous element to the pad. You can visualize this

time as the data leaving the edge of the device before the next clock edge arrives at the edge of the device. This **OFFSET = OUT 2 ns BEFORE clock_pad** constraint reads that the Data to be registered in the Downstream Device is available on the FPGA's output Pad, some time period, BEFORE the clock pulse is seen by the Downstream Device. For the purposes of the OFFSET constraint syntax, assume no skew on CLK between the chips.

The following equation defines this relationship.

$$TQ + TData2Out + TClock \leq TPeriod - Toffset_OUT_BEFORE$$

where

TQ = Intrinsic Flip Flop Clock to Out
 TClock = Total Clock path delay to the Flip Flop
 TData2Out = Total Data path delay from the Flip Flop
 TPeriod = Single Cycle PERIOD Requirement
 Toffset_OUT_BEFORE = Overall Clock to Out Requirement

The analysis of the OFFSET OUT constraint involves ensuring that the maximum delay along the reference path (CLK_SYS to COMP) and the maximum delay along the data path (COMP to Q_OUT) do not exceed the clock period minus the specified offset.

A PERIOD or FREQUENCY is required for OFFSET OUT constraints with the BEFORE keyword.

Clock Skew

Clock skew analysis is included in both a setup and hold analysis. Clock skew is calculated based upon the clock path delay to the destination synchronous element minus the clock path delay to the source synchronous element.

In the majority of designs with a large clock skew, the skew can be attributed to one of the following:

- One or both clocks using local routing
- One or both clocks are gated
- DCM drives one clock and not the other clock

Clock skew is not the same as Phase. Phase is the difference in the clock arrival times, indicated by the source clock arrival time and the destination clock arrival time in the timing report. Clock arrival times are based upon the PHASE keyword in the PERIOD constraint. Clock skew is not included in the clock arrival times.

In the rising-to-rising setup/hold analysis shown in [Figure 3-55, "Rising to Rising Setup/Hold Analysis,"](#) the positive clock skew greatly increases the chance of a hold violation and helps the setup calculation.

Note: During setup analysis, positive clock skew is truncated to zero for Virtex-4 devices and older. Virtex-5 devices and newer utilize the positive and negative clock skew in the setup analysis. Positive clock skew is used during the hold analysis for this path.

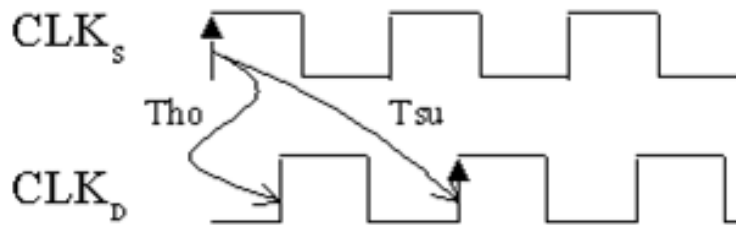


Figure 3-55: Rising to Rising Setup/Hold Analysis

In the rising-to-falling setup/hold analysis shown in [Figure 3-56, “Rising to Falling Setup/Hold Analysis,”](#) the positive clock skew is less, but the **Tho** window is smaller and minimizes the chance for a hold violation. Therefore, a two-phase clock is less likely to have a hold violation and can handle more positive clock skew than a single-phase clock path.

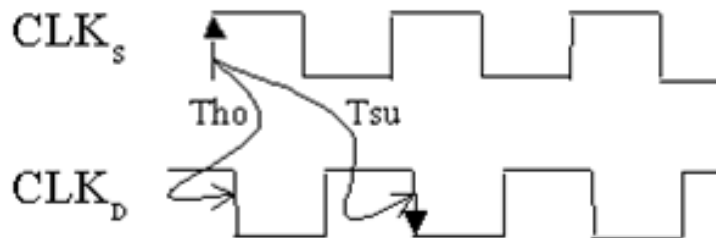


Figure 3-56: Rising to Falling Setup/Hold Analysis

Note: During hold analysis, negative clock skew is truncated to zero for Virtex-4 devices and older. Virtex-5 devices and newer utilize the negative and positive clock skew in the hold analysis. Negative clock skew is used during the setup analysis for this path.

During analysis of setup and hold, the negative clock skew and positive clock skew, respectively, decrease the margin on the PERIOD constraint requirement, as shown in [Figure 3-57, “Positive and Negative Clock Skew.”](#)

To determine how the timing analysis tools calculated the total clock skew for a path, use the **Analyze -> Against User Specified Paths** command in Timing Analyzer. Select the source and destination of the path in question, and analyze from the clock source to the two elements in the path.

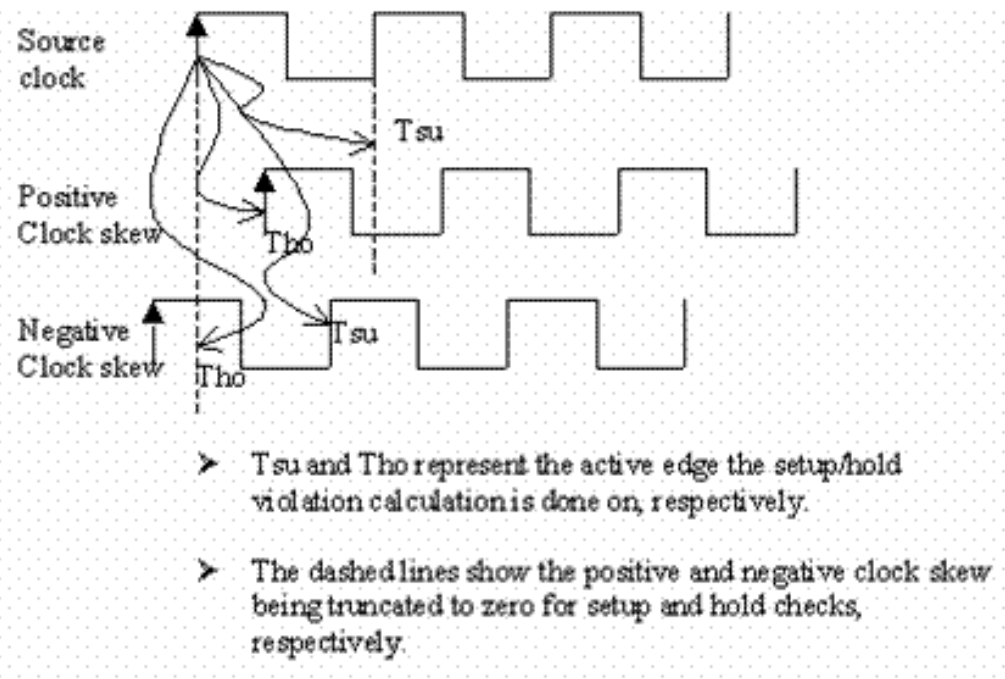


Figure 3-57: Positive and Negative Clock Skew

The report displays the clock path to the source and the clock path to the destination. Review the paths to determine if the design has one of the causes of clock skew that were previously mentioned. The timing analysis tools subtract the clock path delays to produce the clock skew, as reported in the timing report.

Note: The DLY file, produced by Reportgen (after PAR), can also be used to determine the values used to calculate the clock skew value that was reported.

When calculating the clock path delay, the timing analysis tool traces the clock path to a common driver. In Figure 3-58, "Clock Skew Example," the common driver of the clock path is at the DCM. If the tools can not find a common driver, the analysis starts at the clock pads. In clock path delay, the timing analysis tool traces the clock path to a common driver. In Figure 3-15, "Hold Violation (Clock Skew > Data Path)," the clock path delay from the DCM to the destination element is $(0.860 + 0.860 + 0.639) = 2.359$, and the clock path delay from the DCM to the source element is $(0.852 + 0.860 + 0.639) = 2.351$. The total clock skew is $2.359 - 2.351 = 0.008$ ns

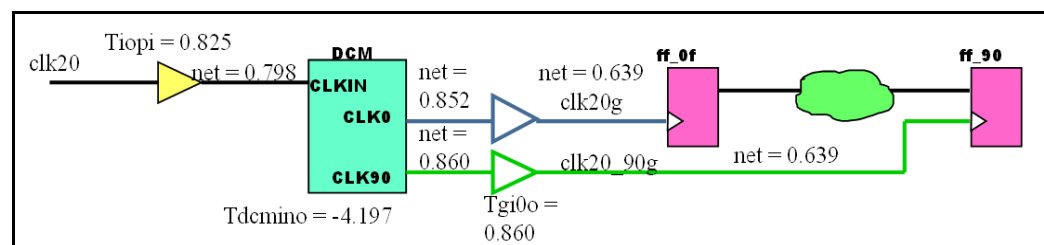


Figure 3-58: Clock Skew Example

Clock Uncertainty

In addition to the “Clock Skew” affecting the margin on the PERIOD constraint requirement, clock uncertainty also affects it.

Note: Clock uncertainty is used to increase the timing accuracy by accounting for system, board level, and DCM clock jitter.

The SYSTEM_JITTER constraint and INPUT_JITTER keyword on the PERIOD constraint inform the timing analysis tools that the design has external jitter affecting the timing of this design, as shown in Figure 3-59, “Input Jitter on Clock Signal.”

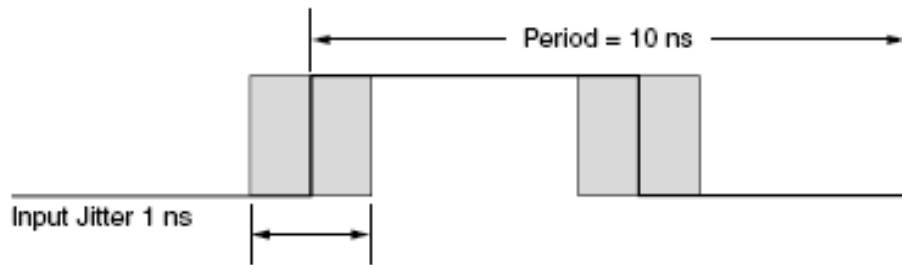


Figure 3-59: Input Jitter on Clock Signal

During the analysis for Virtex-4 device families and newer, the DCM Jitter, DCM Phase Error, and DCM Duty Cycle Distortion/Jitter are also included in the clock uncertainty. The individual components that make up clock uncertainty are reported in 9.1i and newer. The timing analysis tools calculate the clock uncertainty for the source and destination of a data path and combine them together to form the total clock uncertainty.

The following is the equation for DCM Clock Uncertainty:

$$\text{Clock Uncertainty} = [\sqrt{\text{INPUT_JITTER}^2 + \text{SYSTEM_JITTER}^2}] + \text{DCM_Discrete_Jitter} / 2 + \text{DCM_Phase_Error}$$

DCM Discrete Jitter and DCM Phase Error are provided in the speed files for Virtex-4 devices and newer.

Examples

- ◆ INPUT_JITTER: $200\text{ps}^2 = 40000\text{ps}$
- ◆ SYSTEM_JITTER: $150\text{ps}^2 = 22500\text{ps}$
- ◆ DCM Discrete Jitter: 120ps
- ◆ DCM Phase Error: 0ps
- ◆ Clock Uncertainty: 185ps

Following is an example of a PERIOD constraint with the INPUT_JITTER keyword:

```
TIMESPEC "TS_Clk0" = PERIOD "clk0" 4 ns HIGH 60% INPUT_JITTER 200 ps
PRIORITY 1;
```

Following is an example of the SYSTEM_JITTER constraint:

```
SYSTEM_JITTER = 150 ps;
```

Clock jitter consists of both random and discrete jitter components. Because the INPUT_JITTER and SYSTEM_JITTER are random jitter sources, and typically follow a Gaussian distribution, the combination of the two is added in a quadratic manner to represent the worst-case combination.

Note: Because the DCM Jitter is a discrete jitter value, it is added directly to the clock uncertainty.

In the analysis of clock uncertainty all jitter components, both random and discrete, are specified as peak-peak values. Peak-peak values represent the total +/- range by which the arrival time of a clock signal varies in the presence of jitter. In a worst-case analysis, only the delay variation that causes a decrease in timing slack is used. For this reason, only the peak jitter value, or one-half the peak-to-peak value, is used for each setup and hold timing check.

The phase error component of clock uncertainty is a value representing the phase variation between two clock signals. Because this value is discrete, and represents the actual phase difference between the DCM clocks, it is added directly to the clock uncertainty value.

Following is the equation for PLL Clock Uncertainty:

$$\text{Clock Uncertainty} = [\sqrt{\text{INPUT_JITTER}^2 + \text{SYSTEM_JITTER}^2 + \text{PLL_Discrete_Jitter}^2}] / 2 + \text{PLL Phase_Error}$$

PLL Discrete Jitter and PLL Phase Error are provided in the speed files for Virtex-5 devices.

In the analysis of clock uncertainty all jitter components, both random and discrete, are specified as peak-peak values. Peak-peak values represent the total +/- range by which the arrival time of a clock signal varies in the presence of jitter. In a worst-case analysis, only the delay variation that causes a decrease in timing slack is used.

Note: Only the peak jitter value, or one-half the peak-to-peak value, is used for each setup and hold timing check.

The phase error component of clock uncertainty is a value representing the phase variation between two clock signals. Because this value is discrete, and represents the actual phase difference between the PLL clocks, it is added directly to the clock uncertainty value.

Asynchronous Reset Paths

The analysis of asynchronous reset paths, including the recovery time and reset pin to output time, is not included in the PERIOD constraint analysis by default.

Note: In order to see asynchronous reset/set paths, a path tracing control (PTC) needs to be enabled, which is "ENABLE = REG_SR_R," for recovery time, and "ENABLE = REG_SR_O", for output time.

These path-tracing controls enable the path from the asynchronous reset pin through the synchronous element and the reset recovery time of the synchronous element.

