



**ALPHA DATA**

# **Xilinx XQRKU060**

## **Space Development Kit**

May 2020

**Adam Smith**

CEO

[adam.smith@alpha-data.com](mailto:adam.smith@alpha-data.com)

**Andrew McCormick**

CTO

[Andrew.mccormick@alpha-data.com](mailto:Andrew.mccormick@alpha-data.com)



# Introduction

- **Alpha Data Inc.** (Golden, CO)  
Product design, manufacturing, USA sales ITAR projects
- **Alpha Data Parallel Systems Ltd.** (Edinburgh, UK)  
Product design, manufacturing, worldwide sales (excl. USA)
- **Commercial Off-The-Shelf (COTS) Board**  
High-End Embedded (A&D, Space)
- Established 1993
- ISO9001 Certified
- **Xilinx Exclusive**

# 24hr Worldwide Sales & Support





# ADA-SDEV-KIT2/C



Development Kit for XQRKU060

Modular design with

- Commercial XCKU060 in -1 speed grade
- Space-Grade Power & Clocking solutions from TI
- XRTC compatible Configuration Module
- Two FMC Sites
- DDR3 DRAM
- System Monitoring

## Product Details

[www.alpha-data.com/sdev](http://www.alpha-data.com/sdev)

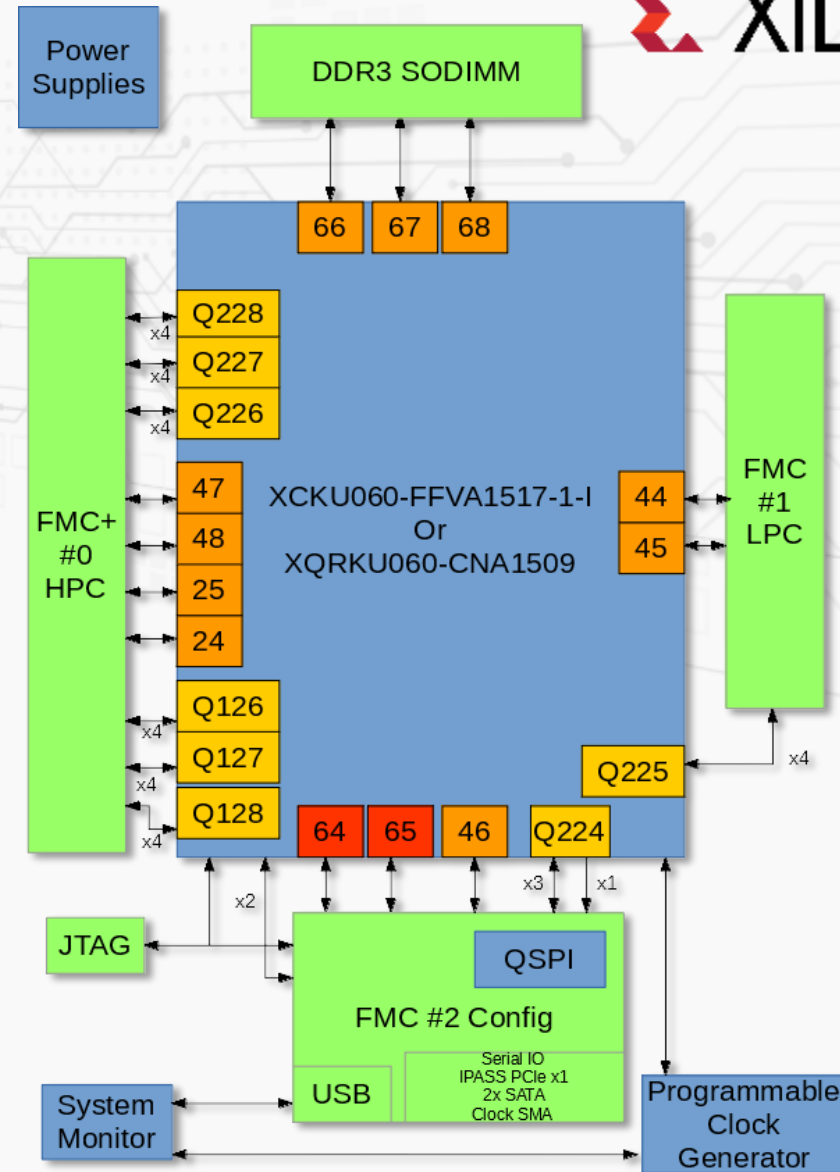
Datasheet



Manual



Ref Designs



# ADA-SDEV-KIT2/C

## Revision 2 Updates

- Upgraded FPGA core power supply to latest TI chipset  
 $V_{ccint} : I_{max}$  from 24A to 32A
- Supports CNA1509 pinout and power requirements
- Build option to utilise all HSSIO in CNA1509 Package

ADA-SDEV-KIT (Rev 1) discontinued

ADA-SDEV-KIT2/C (Rev 2) available now

**NOTE:** Rev 2 ADA-SDEV-KIT is bitstream compatible with Rev 1.

