

Support Information

To download Design Tools, generate licenses, or get the latest tool updates, go to www.xilinx.com/support/download

For Technical Support, go to www.xilinx.com/support. On this site you can:

- Subscribe to Alerts on Product Technical Documentation updates
- Choose instructor-led classes and recorded e-learning options under Training
- Collaborate with the Xilinx User Community on the Forums
- Quickly scan titles of Answers Database categories through the Answer Browser
- Submit cases and report bugs online 24 hours a day through WebCase
- Initiate and manage return of hardware and software products through the RMA Portal

For more information about this kit, please refer to the Getting Started Guide also included in the kit box. The Getting Started Guide provides further instructions on running demonstrations, installing software, and using the available reference designs to quickly and efficiently develop your applications.

For additional details, please visit the product page for more details: <http://www.xilinx.com/ml605>



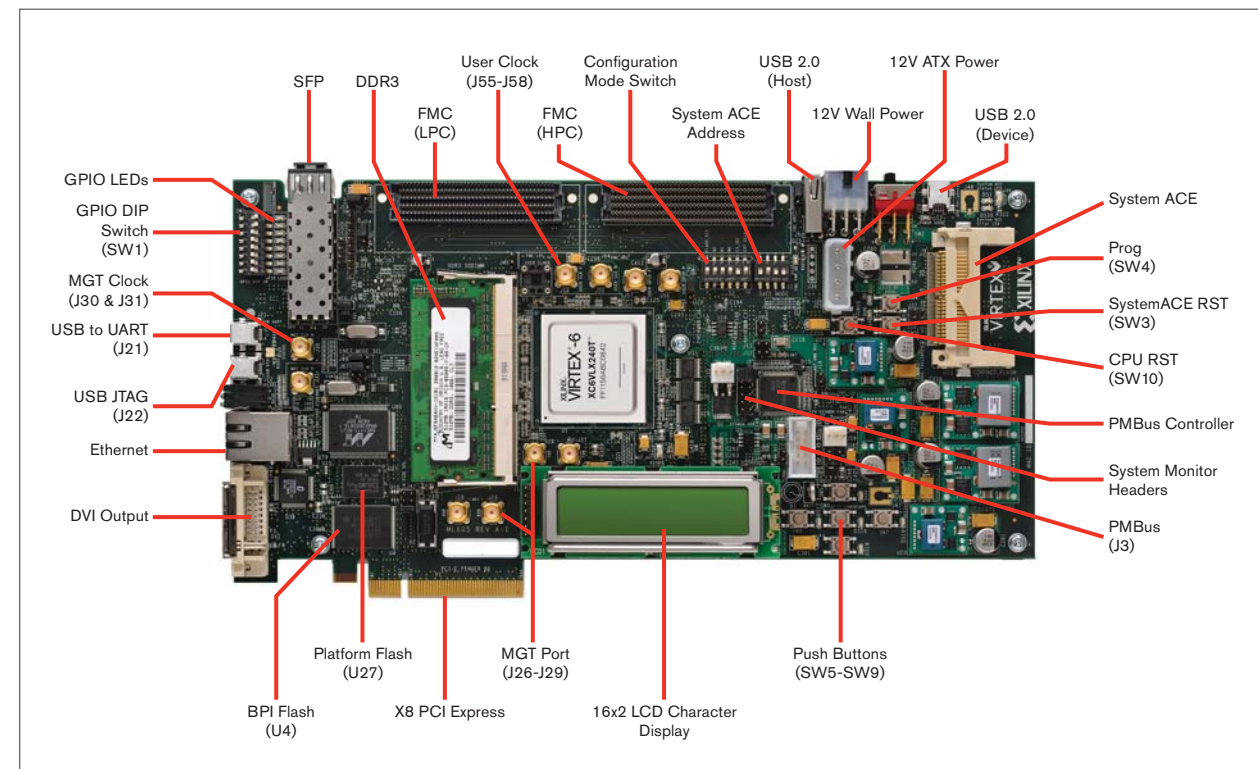
**FOR MORE INFORMATION GO TO
WWW.XILINX.COM/ML605**

ML605 HARDWARE SETUP GUIDE

The Virtex® -6 FPGA ML605 Evaluation Kit provides a development environment for system designs that demand high-performance, serial connectivity, and advanced memory interfacing. The ML605 is supported by multiple targeted reference designs and industry-standard FPGA Mezzanine Connectors (FMC) which allow scaling and customization with daughter cards. Integrated tools help streamline the creation of elegant solutions for complex design requirements.

This Hardware Setup Guide will provide an introduction to the board's features, instructions for default hardware set up, and a step-by-step procedure for verifying the board's functionality.

BOARD FEATURES



Corporate Headquarters

Xilinx, Inc.
2100 Logic Drive
San Jose, CA 95124
USA
Tel: 408-559-7778
www.xilinx.com

Europe

Xilinx Europe
One Logic Drive
Citywest Business Campus
Saggart, County Dublin
Ireland
Tel: +353-1-464-0311
www.xilinx.com

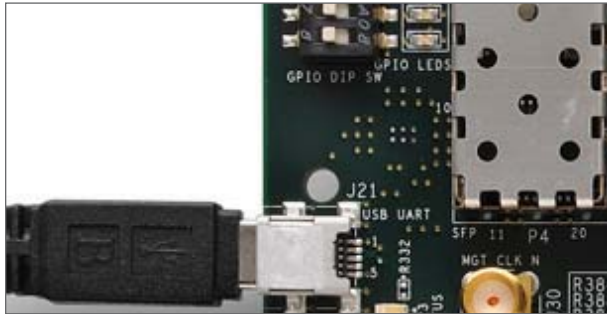
Japan

Xilinx K.K.
Art Village Osaki Central
Tower 4F
1-2-2 Osaki, Shinagawa-ku
Tokyo 141-0032 Japan
Tel: +81-3-6744-7777
japan.xilinx.com

Asia Pacific Pte. Ltd.

Xilinx, Asia Pacific
5 Changi Business Park
Singapore 486040
Tel: +65-6407-3000
www.xilinx.com

STEP 1



USB/UART Cable Connection

Connect one USB Type-A to mini-B 5-pin cables from your PC to J21 on the ML605 board.

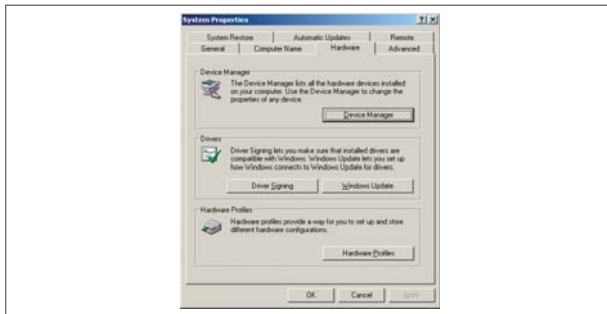
STEP 2

Driver Installation

Install USB UART Drivers located on the USB Drive shipped with your ML605 board.

Power on ML605 board.

STEP 3



System Properties

Right-click on My Computer and select Properties. Select the Hardware tab. Click on Device Manager.

STEP 4



Expand the Ports

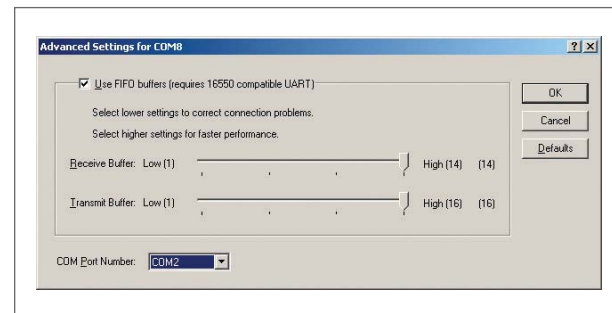
Right-click on USB to UART Bridge and select Properties.

STEP 5



Port Settings

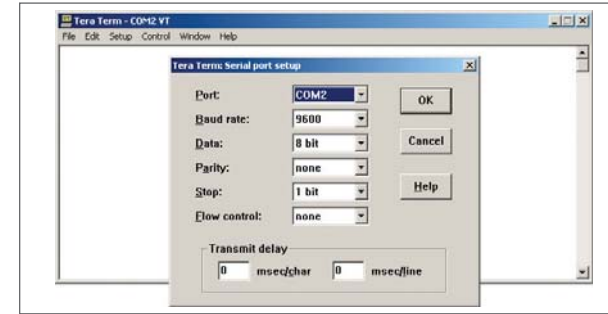
Under Port Settings tab, Click Advanced.



COM Port Selection

Set the COM Port to an open Com Port setting from COM1 to COM4. Note: Installing the USB driver may result in different COM ports which is different than the diagram.

STEP 6



Start the Tera Terminal Program

Download the Tera Terminal Program from <http://www.ayera.com/teraterm>. Select your USB Com Port. Set the Baud rate to 9600.

STEP 8



Set Dip Switch

Set Dip switch S1 to '1000'. Press SW3 button to boot off of the Compact Flash.

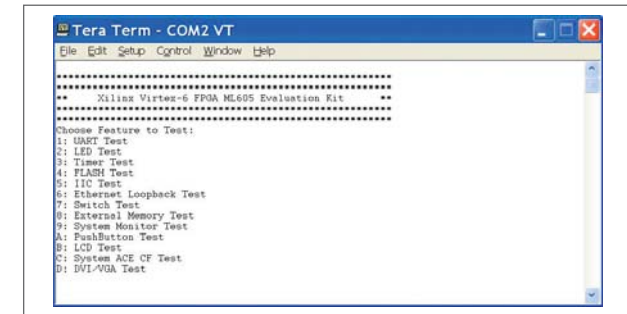
STEP 7



Insert CompactFlash Card

The CompactFlash card contains a test design which can be used to verify board functionality.

STEP 9



Tera Terminal

After FPGA configuration, the text shown above will appear in the Tera Term window. Type the number/letter associated with one of the listed tests to run the test application. For example, typing a "5" results in the IIC Test application being run.

Congratulations! You have successfully verified functionality of your board. Please review the ML605 Getting Started Guide for additional reference designs and demonstration content.