

Part Number: HW-FMC-XM107-G

Product Name: FMC XM107 Loopback Card

Disclaimer:

Xilinx is disclosing this user guide, manual, release note, schematic, and/or specification (the "Documentation") to you solely for use in the development of designs to operate with Xilinx hardware devices. You may not reproduce, distribute, republish, download, display, post, or transmit the Documentation in any form or by any means including, but not limited to, electronic, mechanical, photocopying, recording, or otherwise, without the prior written consent of Xilinx.

Xilinx expressly disclaims any liability arising out of your use of the Documentation. Xilinx reserves the right, at its sole discretion, to change the Documentation without notice at any time. Xilinx assumes no obligation to correct any errors contained in the Documentation, or to advise you of any corrections or updates. Xilinx expressly disclaims any liability in connection with technical support or assistance that may be provided to you in connection with the Documentation.

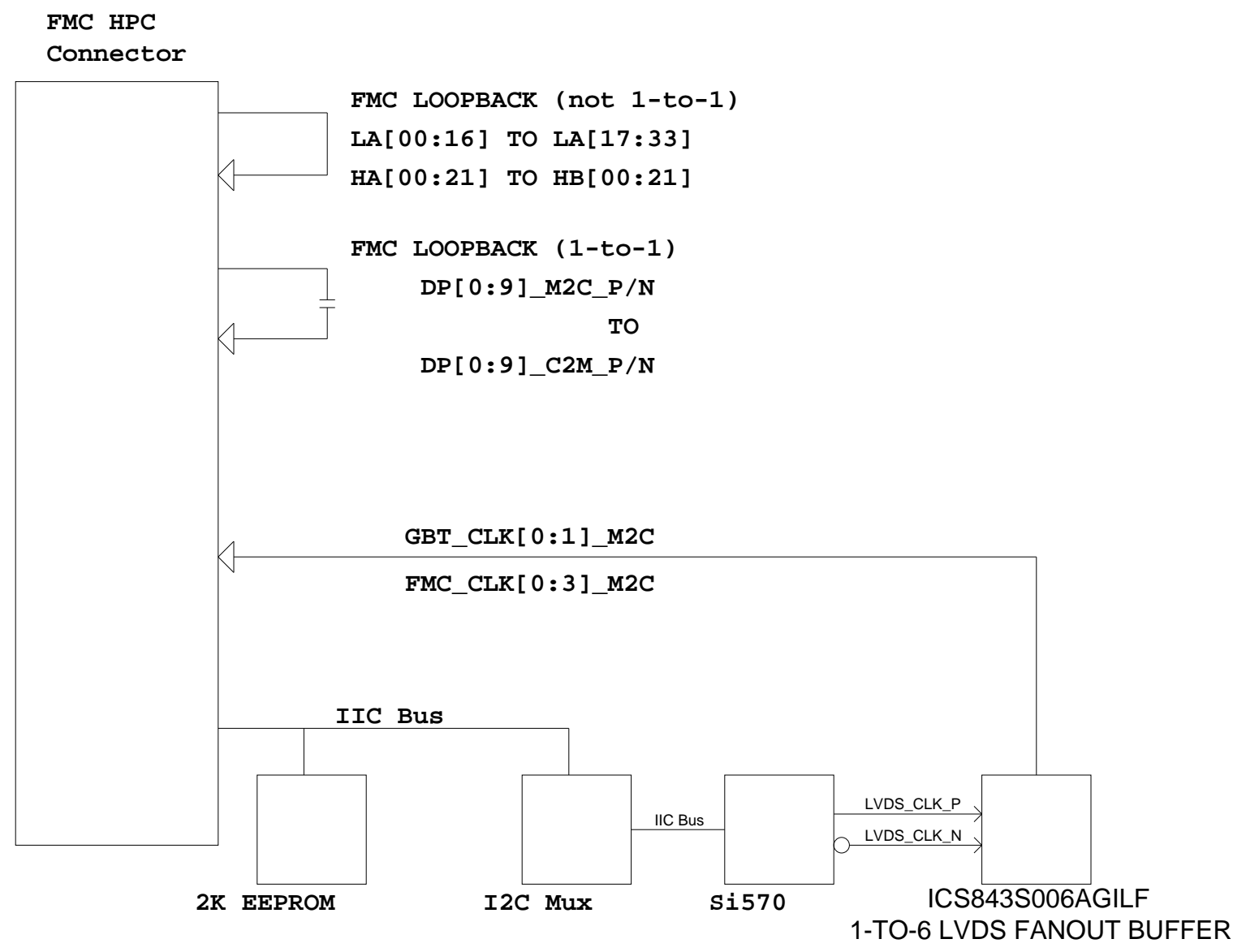
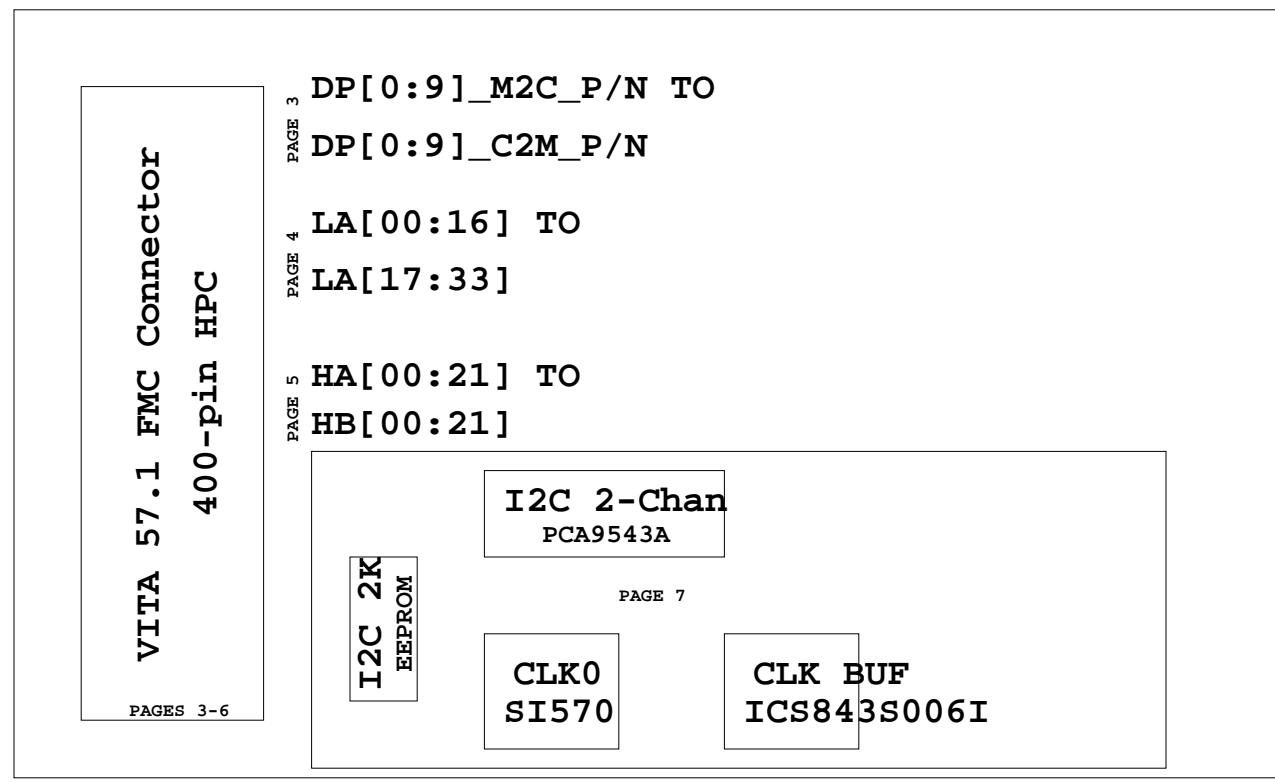
THE DOCUMENTATION IS DISCLOSED TO YOU "AS-IS" WITH NO WARRANTY OF ANY KIND. XILINX MAKES NO OTHER WARRANTIES, WHETHER EXPRESS, IMPLIED, OR STATUTORY, REGARDING THE DOCUMENTATION, INCLUDING ANY WARRANTIES OF MERCHANTABILITY, FITNESS FOR A PARTICULAR PURPOSE, OR NON-INFRINGEMENT OF THIRD-PARTY RIGHTS. IN NO EVENT WILL XILINX BE LIABLE FOR ANY CONSEQUENTIAL, INDIRECT, EXEMPLARY, SPECIAL, OR INCIDENTAL DAMAGES, INCLUDING ANY LOSS OF DATA OR LOST PROFITS, ARISING FROM YOUR USE OF THE DOCUMENTATION.

	SCH P/N 0381378
	PCB P/N 1280546
	ASSYP/N 0431616

Title: SCHEM, ROHS COMPLIANT, HW-FMC-XM107-G
DISCLAIMER

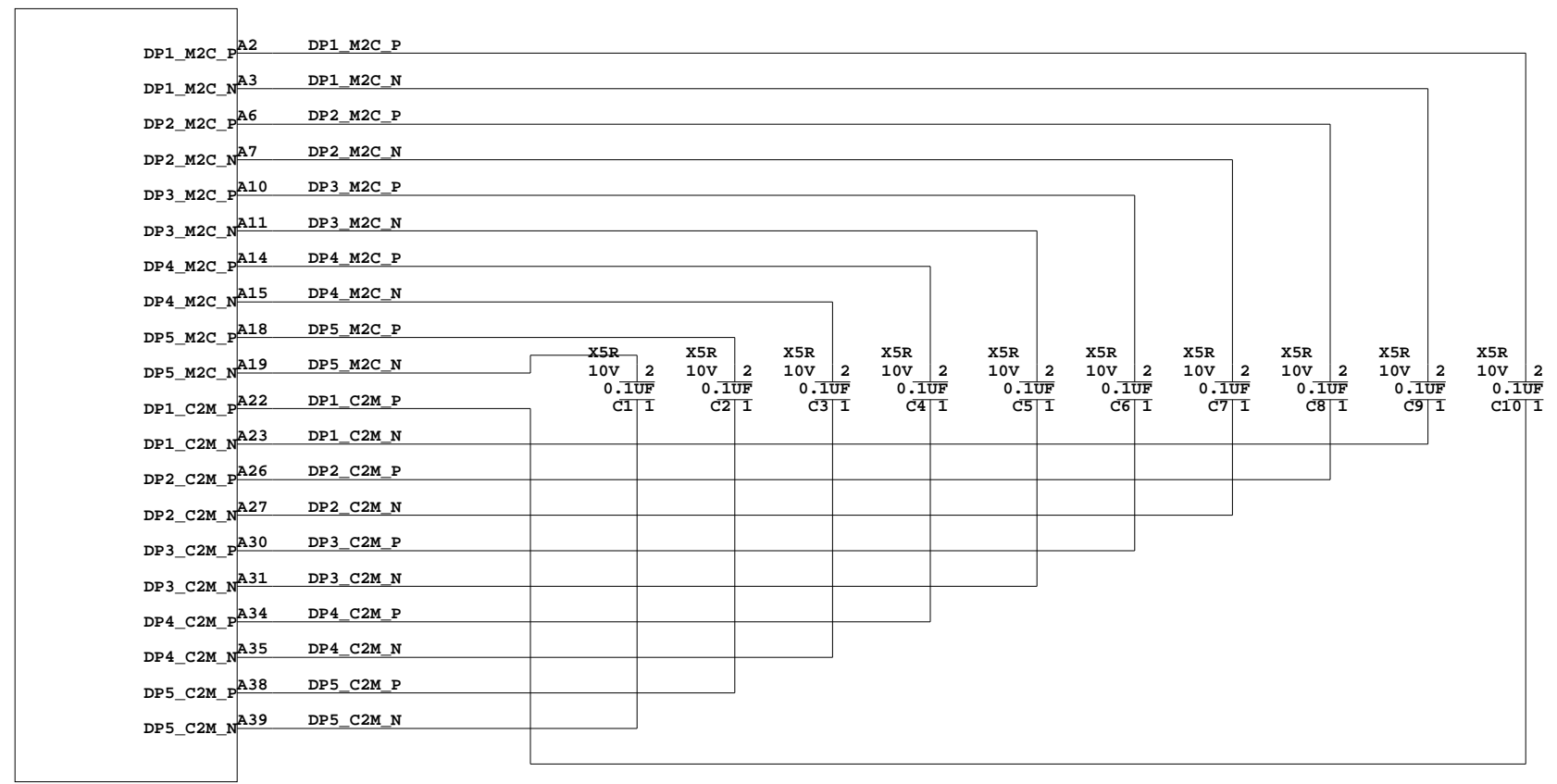
Date: 1-8-2010_7:02	Ver: A
Sheet Size: B	Rev: 01
Sheet 1 of 8	Drawn By EM

Part Number: HW-FMC-XM107-G
 Product Name: FMC XM107 Loopback Card



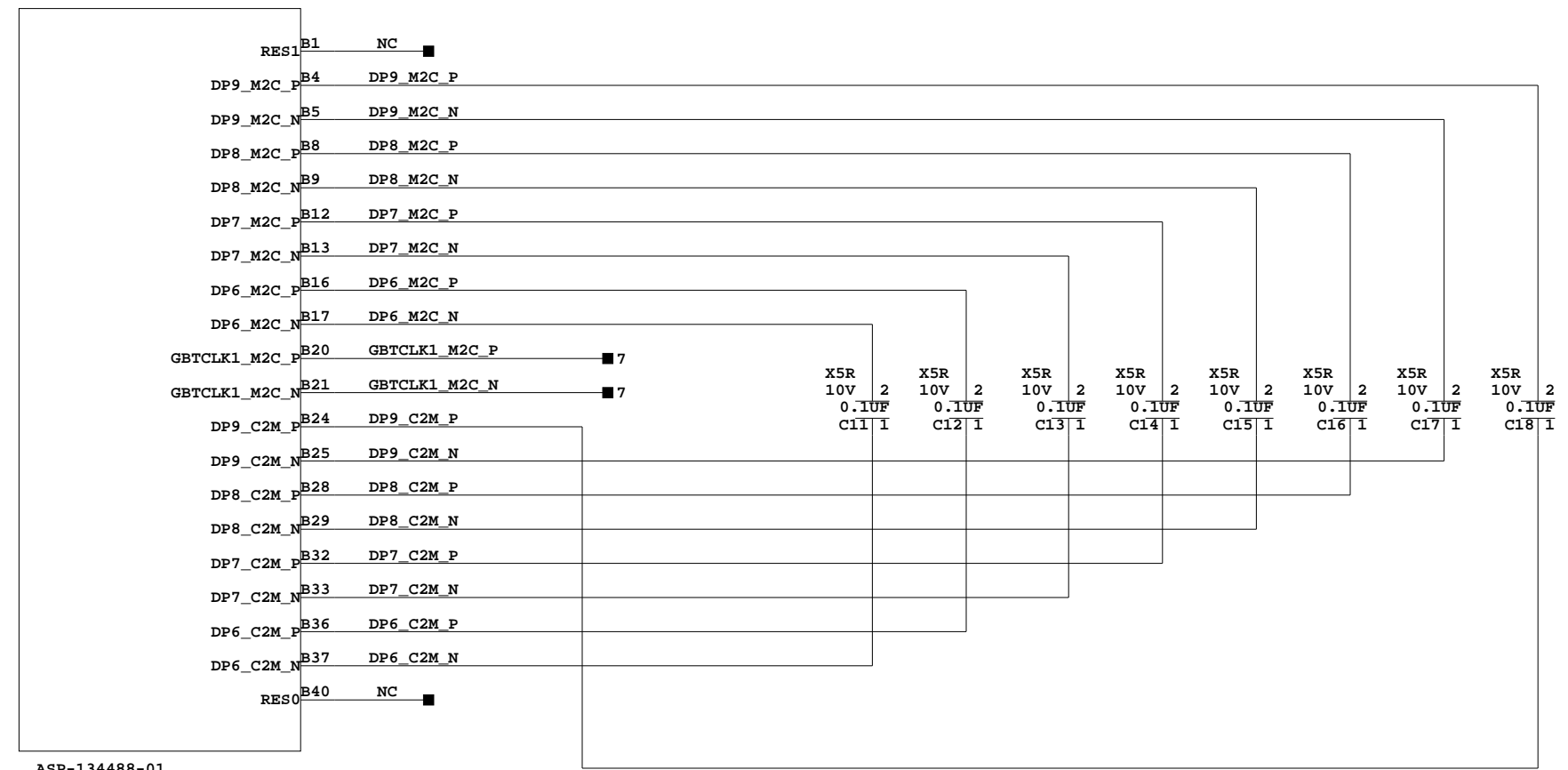
		SCH P/N 0381378
		PCB P/N 1280546
		ASSYP/N 0431616
Title: SCHEM, ROHS COMPLIANT, HW-FMC-XM107-G XM107 BLOCK DIAGRAM		
Date: 1-8-2010_7:02	Ver: A	
Sheet Size: B	Rev: 01	
Sheet 2 of 8	Drawn By EM	

J1




ASP-134488-01

J1



ASP-134488-01

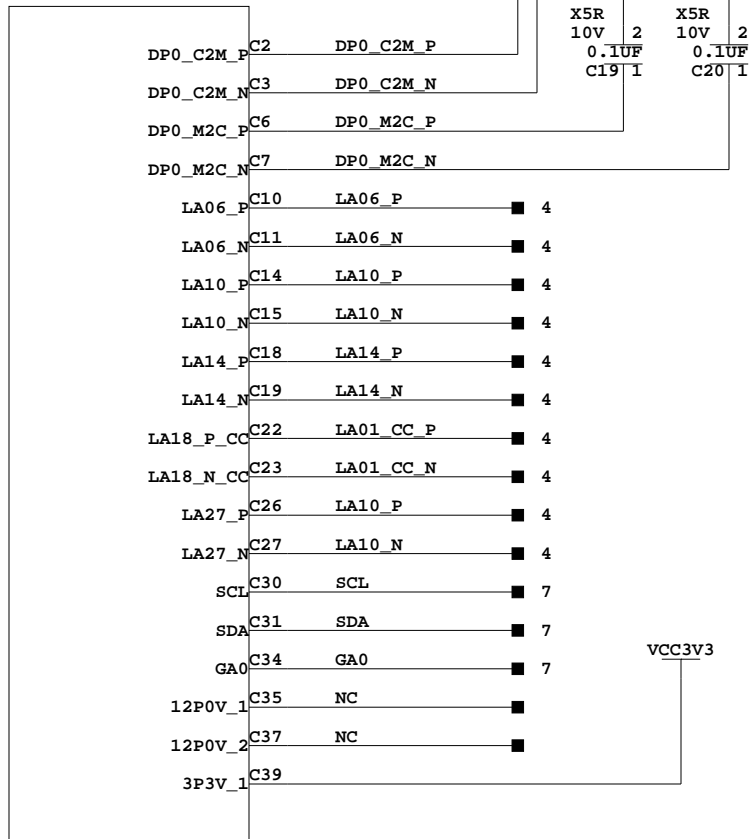
		SCH P/N 0381378
		PCB P/N 1280546
		ASSYP/N 0431616
Title: SCHEM, ROHS COMPLIANT, HW-FMC-XM107-G FMC HPC (ROWS A, B)		
Date: 1-8-2010_6:57		Ver: A
Sheet Size: B		Rev: 01
Sheet 3	of 8	Drawn By EM

J1

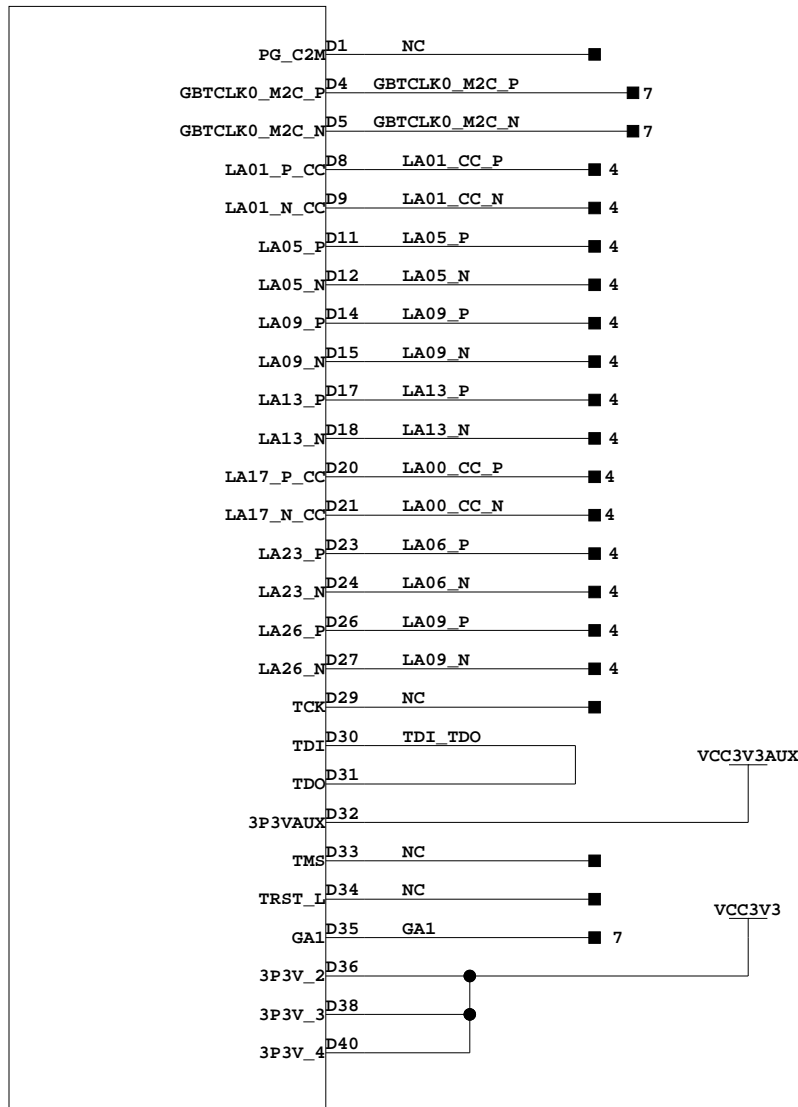
J1

J1

J1

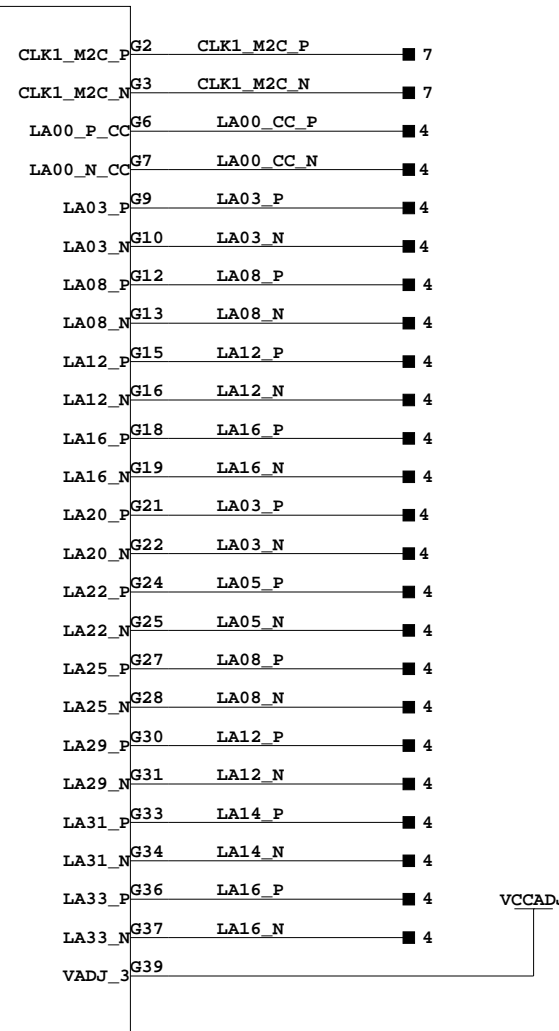


ASP-134488-01

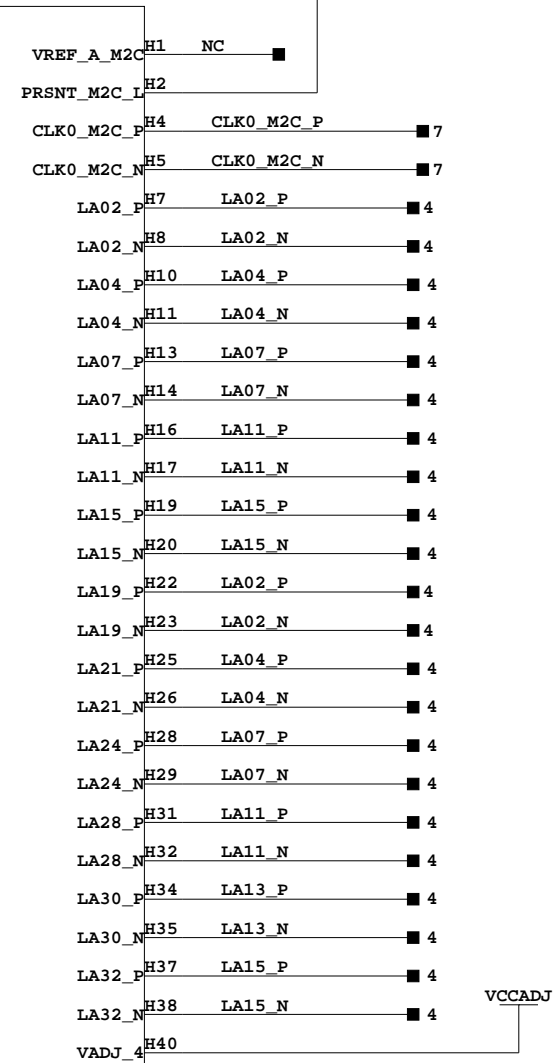


ASP-134488-01

ASP-134488-01



ASP-134488-01




 SCH P/N 0381378
 PCB P/N 1280546
 ASSYP/N 0431616

Title: SCHEM, ROHS COMPLIANT, HW-FMC-XM107-G
FMC HPC (ROWS C, D, G, H)

Date: 1-8-2010_6:57	Ver: A
Sheet Size: B	Rev: 01
Sheet 4 of 8	Drawn By EM

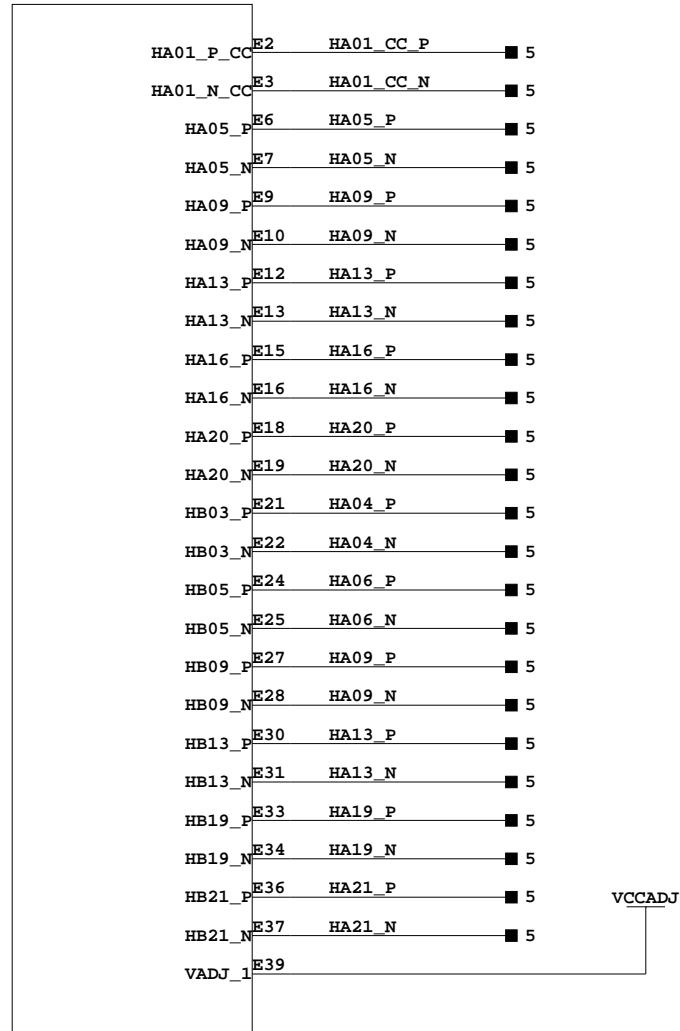
PG_M2C Is pulled up to 3.3V on the Carrier Card

J1

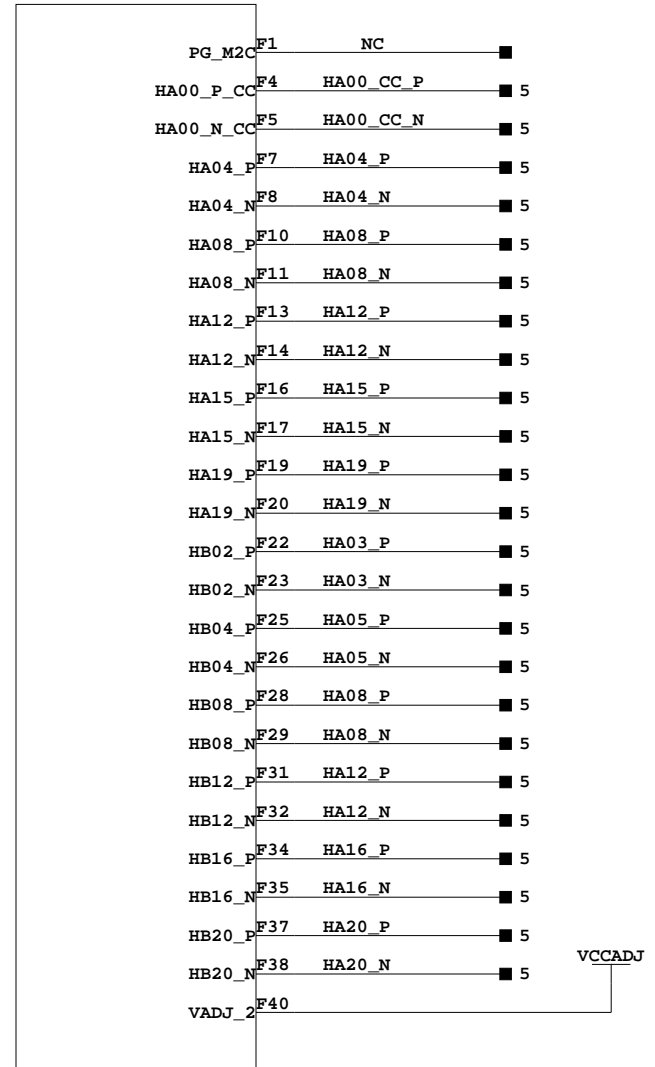
J1

J1

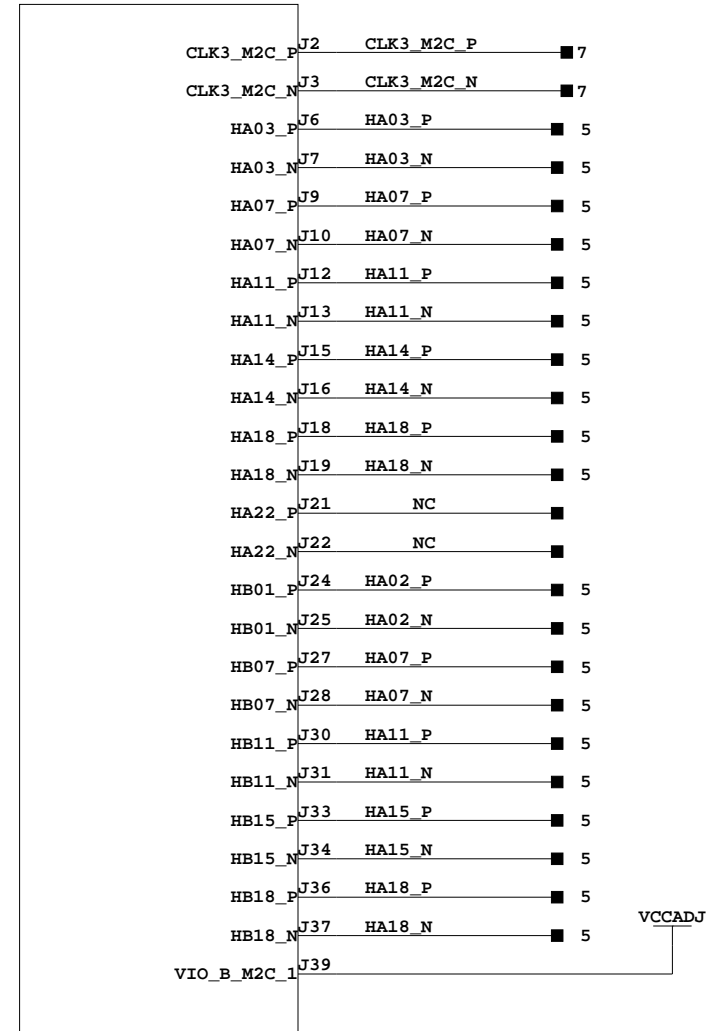
J1



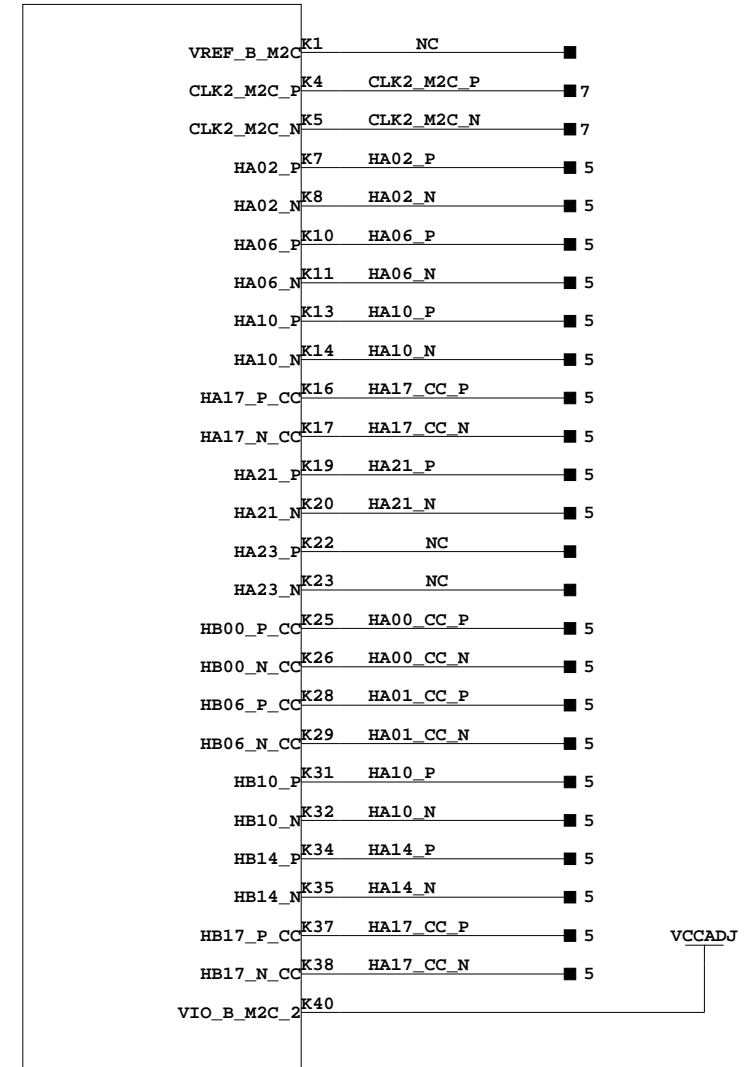
ASP-134488-01




ASP-134488-01

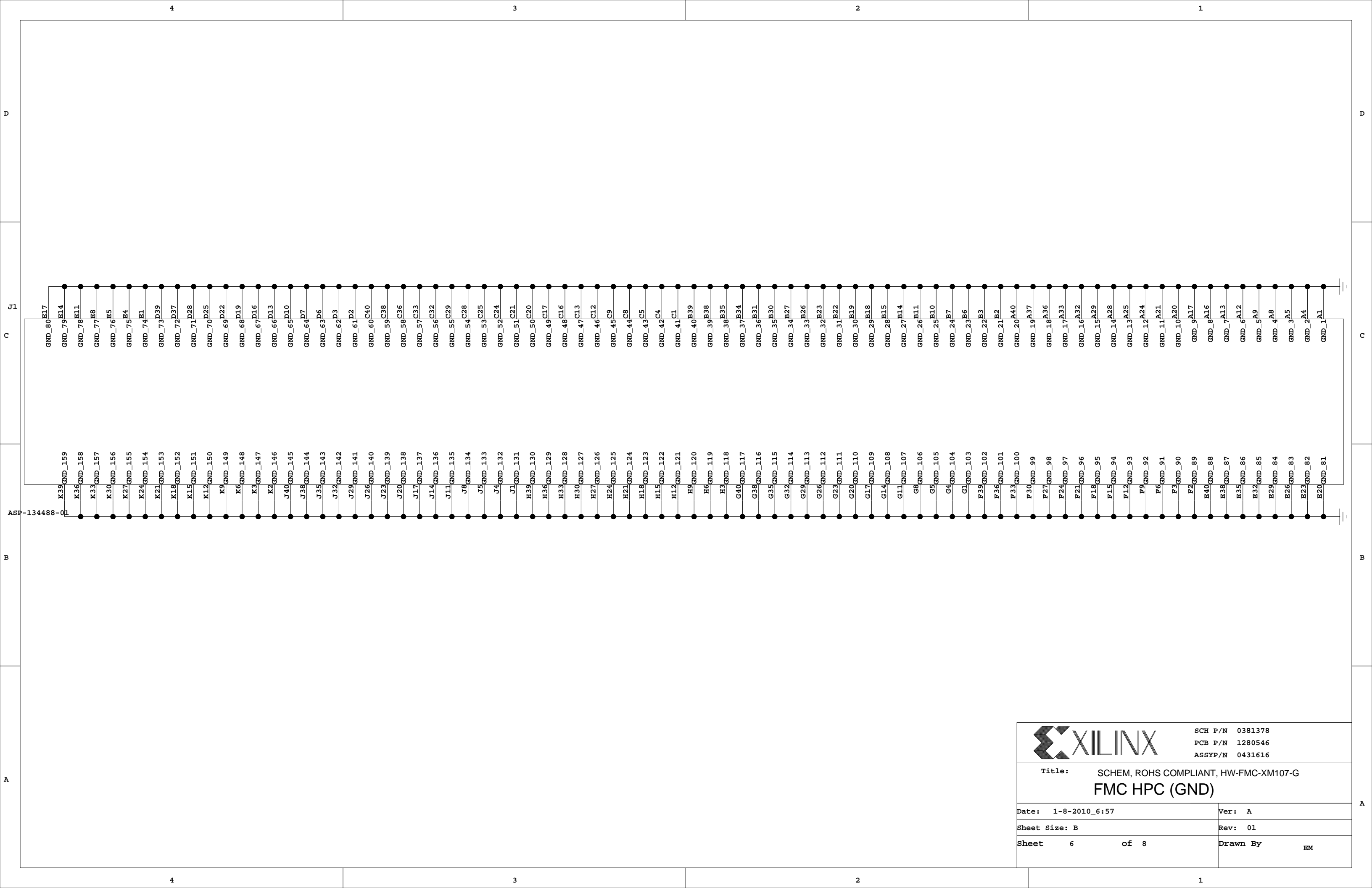


ASP-134488-01




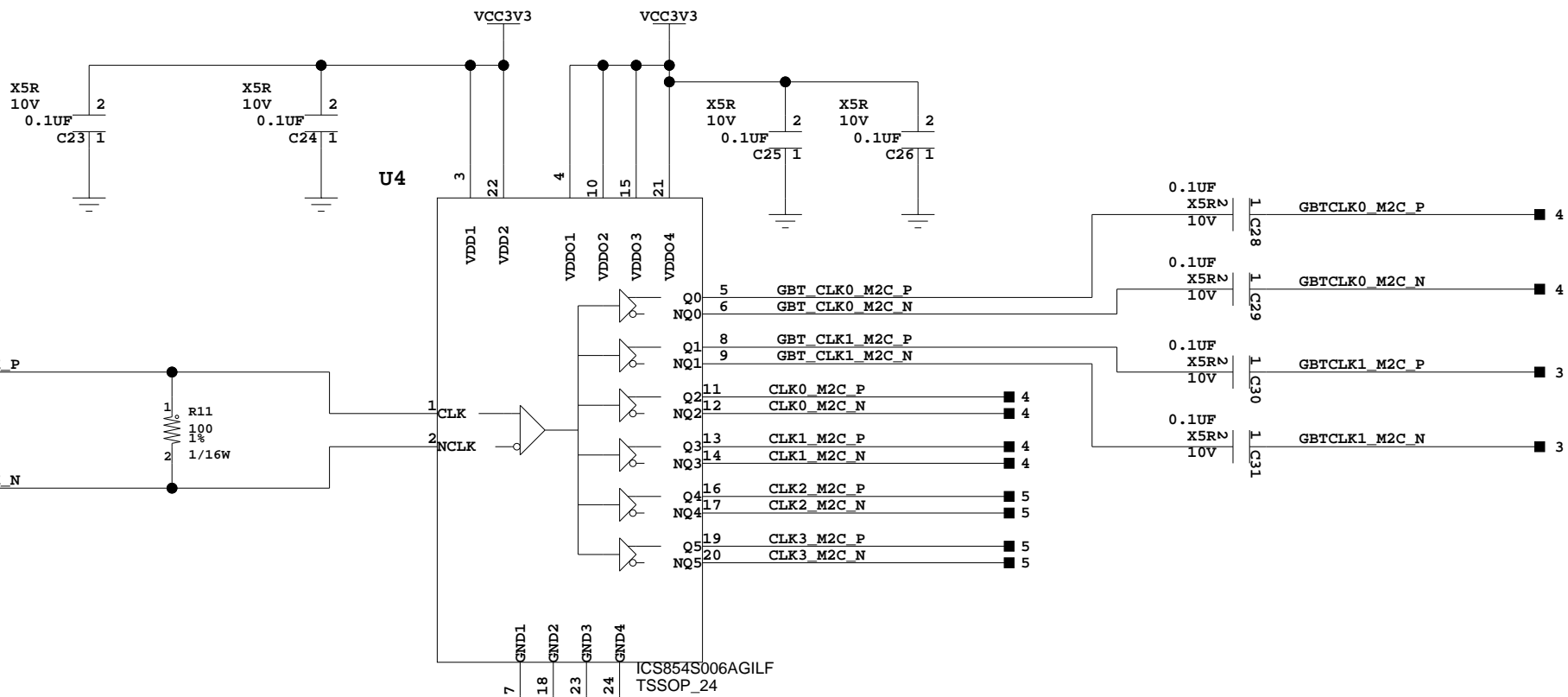
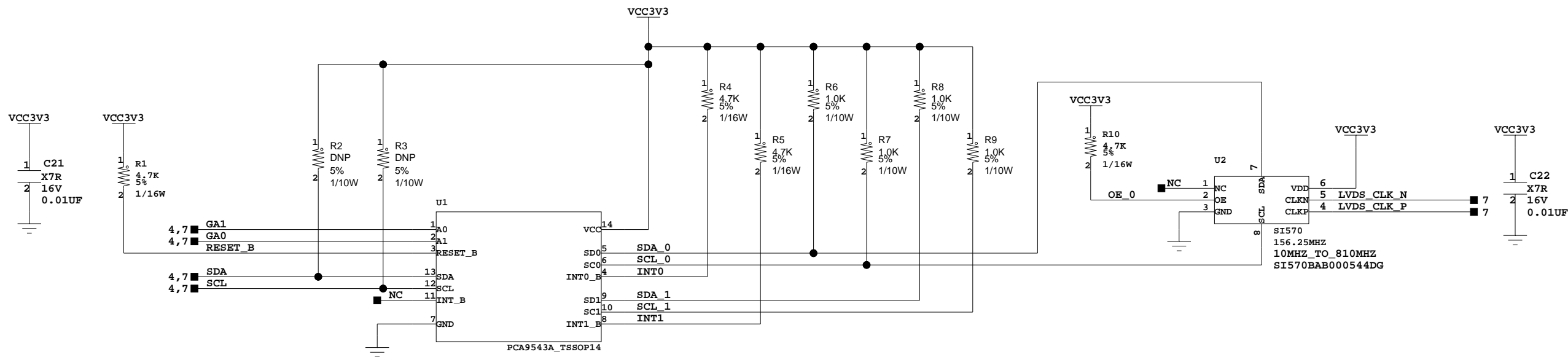
ASP-134488-01

		SCH P/N 0381378	
		PCB P/N 1280546	
		ASSYP/N 0431616	
Title: SCHEM, ROHS COMPLIANT, HW-FMC-XM107-G			
FMC HPC (ROWS E, F J, K)			
Date: 1-8-2010_6:57		Ver: A	
Sheet Size: B		Rev: 01	
Sheet 5	of 8	Drawn By	EM



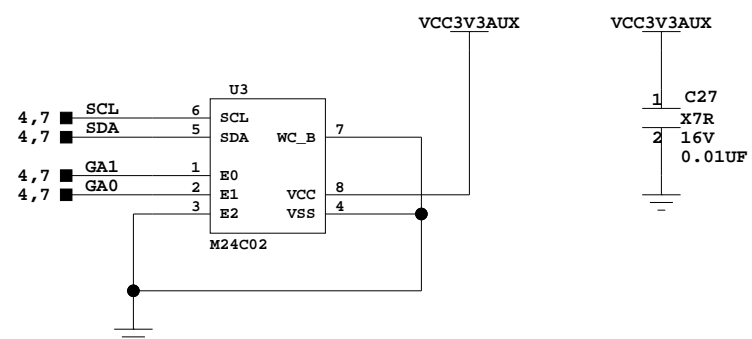
ASP-134488-01

		SCH P/N 0381378	
		PCB P/N 1280546	
		ASSYP/N 0431616	
Title: SCHEM, ROHS COMPLIANT, HW-FMC-XM107-G FMC HPC (GND)			
Date: 1-8-2010_6:57		Ver: A	
Sheet Size: B		Rev: 01	
Sheet 6 of 8		Drawn By EM	



I2C Address Table

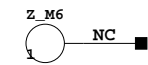
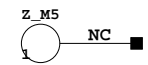
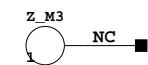
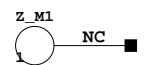
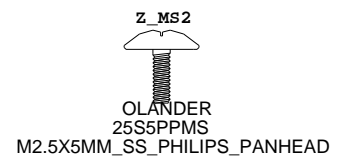
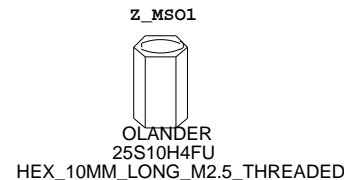
M24C02	-	1010_0_GA0_GA1_RW
PCA9543A	-	1110_0_GA0_GA1_RW
SI570	-	1011_1_0_1_RW




SCH P/N 0381378
 PCB P/N 1280546
 ASSYP/N 0431616

Title: SCHEM, ROHS COMPLIANT, HW-FMC-XM107-G
FMC I2C AND CLOCKING

Date: 1-8-2010_6:57	Ver: A
Sheet Size: B	Rev: 01
Sheet 7 of 8	Drawn By EM



FIDUCIALS

		SCH P/N 0381378
		PCB P/N 1280546
		ASSYP/N 0431616
Title: SCHEM, ROHS COMPLIANT, HW-FMC-XM107-G MECHANICALS		
Date: 12-21-2009_15:01	Ver: A	
Sheet Size: B	Rev: 01	
Sheet 8 of 8	Drawn By EM	