

Introduction

The DSOCM_V10 core is a data-side On-Chip Memory (OCM) bus interconnect core. The core connects the PowerPC® 405 processor data-side OCM interface to OCM peripherals, such as the data-side OCM BRAM controller (DSBRAM IF CNTRL). For information about the PowerPC 405 processor OCM controller interface, see the *PowerPC 405 Processor Block Reference Guide*.

Features

- Single master - no bus arbitration logic
- Configurable multiple slave capability - contains read-data multiplexing when used with 2 or more slaves

LogiCore Facts		
Core Specifics		
Supported Device Family	See EDK Supported Device Families.	
Version of Core	dsocm_v10	v2.00b
Resources Used		
	Min	Max
Slices	0	N/A
LUTs	0	64 ¹
FFs	0	0
Block RAMs	0	0
Provided with Core		
Documentation	Product Specification	
Design File Formats	VHDL	
Constraints File	N/A	
Verification	N/A	
Instantiation Template	N/A	
Reference Designs	N/A	
Design Tool Requirements		
Xilinx Implementation Tools	See Tools for requirements.	
Verification		
Simulation		
Synthesis		
Support		
Provided by Xilinx, Inc.		

1. Example for 3 slaves. Size increases with number of slaves

Functional Description

The DSOCM_V10 core shown in [Figure 1](#) is a data-side On-Chip Memory (OCM) bus interconnect core. The signals shown in the block diagram are listed and described in [Table 1](#).

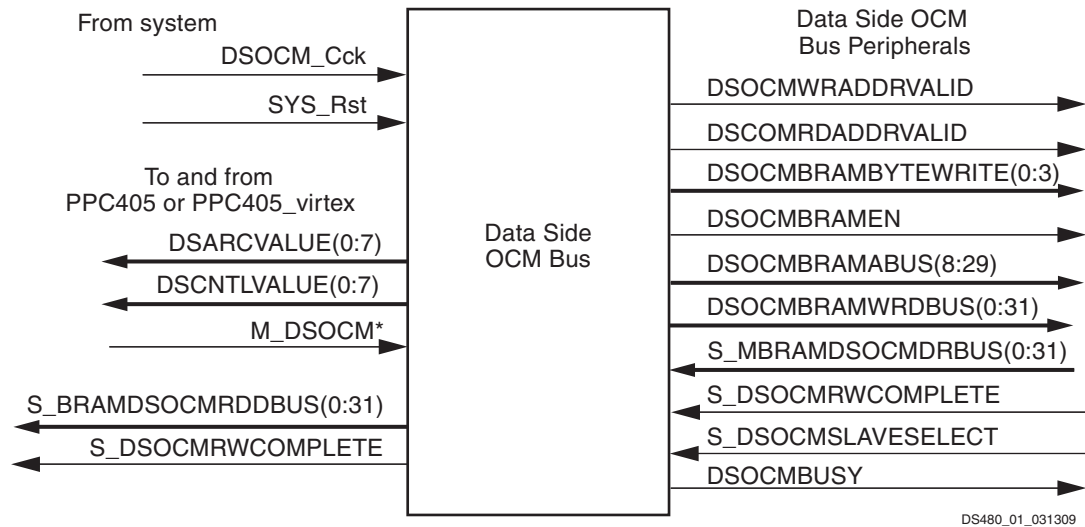


Figure 1: Data-side OCM Bus Block Diagram

Data Side OCM Bus I/O Signals

Table 1: Data Side OCM Bus I/O

Signal	I/O	Connects to	Description
DSOCM_Clk	I	system	Unused
SYS_Rst	I	system	Drives the output DSOCM_RST
DSOCM_RST	O	slaves	Reset signal for DSOCM slave peripherals
M_DSOCMBRAMABUS	I	ppc405	Drives the output DSOCMBRAMABUS
M_DSOCMBRAMEN	I	ppc405	Drives the output DSOCMBRAMEN
M_DSOCMRDADDRVALID	I	ppc405	Drives the output DSOCMRDADDRVALID
M_DSOCMWRADDRVALID	I	ppc405	Drives the output DSOCMWRADDRVALID
M_DSOCMBRAMWRDBUS	I	ppc405	Drives the output DSOCMBRAMWRDBUS.
M_DSOCMBRAMBYTEWRITE	I	ppc405	Drives the output DSOCMBRAMBYTEWRITE.
M_DSOCMBUSY	I	ppc405	Drives the output DSOCMBUSY.
S_DSOCMSLAVESELECT	I	slaves	Acknowledge signal from addressed slave. Controls read data multiplexing in multi-slave system.
S_DSOCMRWCOMPLETE	I	slaves	Virtex [®] -4 only. Drives the output DSOCMRWCOMPLETE

Table 1: Data Side OCM Bus I/O (Contd)

Signal	I/O	Connects to	Description
S_BRAMDSOCMRDDBUS	I	slaves	This signal connects directly to the output BRAMDSOCMRDDBUS.
DSOCMRDADDRVALID	O	slave	Virtex-4 only. Single cycle read request indicating that address is valid. Used with variable latency (non-BRAM) slaves
DSOCMWRADDRVALID	O	slave	Virtex-4 only. Single cycle write request indicating that address and write data are valid. Used with variable latency (non-BRAM) slaves
DSOCMRWCOMPLETE	O	ppc405	Virtex-4 only. Acknowledge that access has been completed by variable latency (non-BRAM) slave. Read data should be valid
BRAMDSOCMRDDBUS	O	ppc405	Read access read-data
DSARCVALUE	O	ppc405	DSOCM power-on 16MB address window offset. The value of this signal is set by the parameter C_DSARCVALUE.
DSCNTLVALUE	O	ppc405	DSOCM power-on configuration. The value of this signal is set by the parameter C_DSCNTLVALUE.
DSOCMBRAMEN	O	slave	Memory enable signal for BRAM
DSOCMBRAMWRDBUS	O	slave	Write access write-data
DSOCMBRAMBYTEWRITE	O	slave	Write access byte enable
DSOCMBRAMABUS	O	slave	Read/Write access address bus
DSOCMBUSY	O	slave	DCR writable control signal. Reflects DSCNTL(2)

Data Side OCM Bus Parameters

Table 2: Data Side OCM Bus Parameters

Parameter	Description	Default	Tool Calculated	Type
C_NUM_MASTERS	Number of DSOCM masters. The only allowed value is 1	1	Yes	integer
C_NUM_SLAVES	Number of DSOCM slaves	1	Yes	integer
C_DSARCVALUE	Power-on offset of the 16 MB DSOCM address window relative to the PLB address range. For example, with C_DSARCVALUE=0x54, the DSOCM memory window will reside in the address range: 0x5400_0000-0x54FF_FFFF.	0x31	Yes	std_logic_vector
C_DSCNTLVALUE	Power-on configuration of the PowerPC processor DSOCM interface controller. For details, see the “ <i>PowerPC 405 Processor Block Reference Guide</i> ”	0x81	Yes	std_logic_vector
C_FIXED_LATENCY	Virtex-4 only. Select between fixed return data latency (=1) or handshake (=0)	1	No	integer

Allowable Parameter Combinations

There are no restrictions on allowed parameter combinations in this core.

For information about the OCM controller interface feature, see the *PowerPC 405 Processor Block Reference Guide*.

Parameter - Port Dependencies

Table 3: Port and parameter dependencies

Name	Affects	Depends	Relationship Description
Design Parameters			
C_NUM_SLAVES	S_BRAMDSOCM RDDBUS	0 to C_NUM_SLAVES*32-1	Scale width of OCM read data bus based on number of connected slaves
C_NUM_SLAVES	S_DSOCMRW COMPLETE	0 to C_NUM_SLAVES	Scale width of OCM slave select based on number of connected slaves
C_NUM_SLAVES	S_DSOCMSLAVE SELECT	0 to C_NUM_SLAVES	Scale width of OCM slave select based on number of connected slaves
S_BRAMDSOCM RDDBUS		C_NUM_SLAVES	Scale width of OCM read data bus based on number of connected slaves
S_DSOCMRW COMPLETE		C_NUM_SLAVES	Scale width of OCM slave select based on number of connected slaves
S_DSOCMSLAVE SELECT		C_NUM_SLAVES	Scale width of OCM slave select based on number of connected slaves

Multi-Slave Configuration

This version of the bus can handle multiple slaves. Slave address ranges must be non-overlapping and each slave core is responsible for its own address range check. All readable slaves must follow one of two methods for returning data:

1. Provide an acknowledge signal (S_DSOCMSLAVESELECT) which they raise when addressed. When not addressed this signal must be held Low. The slave read-data is ignored when the acknowledge is Low. The DSOCM bus use the acknowledge signal as a valid signal to multiplex read-data.
1. Always provide a High acknowledge signal, but drive all 0's (zeros) on read-data when not addressed.

Data Side OCM Bus Register Descriptions

There are no registers in this core.

Data Side OCM Bus Interrupt Descriptions

There are no interrupts associated with this core.

Design Implementation

Design Tools

The Data Side OCM Bus design is handwritten.

Xilinx XST is the synthesis tool used for synthesizing the Data Side OCM Bus.

Target Technology

The target technology is an FPGA listed in [EDK Supported Device Families](#).

Device Utilization and Performance Benchmarks

Table 4: Data Side OCM Bus Resource Utilization

Parameters	Resources	
	Flip-Flops	4-input LUTs
C_NUM_SLAVES = 1	0	0
C_NUM_SLAVES = 2	0	32
C_NUM_SLAVES = 3	0	64
C_NUM_SLAVES = 4	0	96

There are no performance benchmarks available.

Specification Exceptions

Not applicable.

Support

Xilinx provides technical support for this LogiCORE product when used as described in the product documentation. Xilinx cannot guarantee timing, functionality, or support of product if implemented in devices that are not defined in the documentation, if customized beyond that allowed in the product documentation, or if changes are made to any section of the design labeled *DO NOT MODIFY*.

Reference Documents

1. [UG018](#) PowerPC 405 Processor Block Reference Guide
2. [DS447](#) Data Side OCM BRAM Interface Controller Data Sheet

Revision History

Date	Version	Revision
6/16/04	1.0	Initial Xilinx release
8/17/04	1.1	Updated for EDK 6.3. Updated trademarks and supported device family listing.
9/22/04	1.2	Updated to new data sheet template
8/2/05	1.3	Updated to new DS template.
1/23/07	1.4	Fixed RdDBus mux error for 5 slave case.
4/24/09	1.5	Replaced references to supported device families and tool name(s) with hyperlink to PDF file.

Notice of Disclaimer

Xilinx is providing this design, code, or information (collectively, the “Information”) to you “**AS-IS**” with no warranty of any kind, express or implied. Xilinx makes no representation that the Information, or any particular implementation thereof, is free from any claims of infringement. You are responsible for obtaining any rights you may require for any implementation based on the Information. All specifications are subject to change without notice. XILINX EXPRESSLY DISCLAIMS ANY WARRANTY WHATSOEVER WITH RESPECT TO THE ADEQUACY OF THE INFORMATION OR ANY IMPLEMENTATION BASED THEREON, INCLUDING BUT NOT LIMITED TO ANY WARRANTIES OR REPRESENTATIONS THAT THIS IMPLEMENTATION IS FREE FROM CLAIMS OF INFRINGEMENT AND ANY IMPLIED WARRANTIES OF MERCHANTABILITY OR FITNESS FOR A PARTICULAR PURPOSE. Except as stated herein, none of the Information may be copied, reproduced, distributed, republished, downloaded, displayed, posted, or transmitted in any form or by any means including, but not limited to, electronic, mechanical, photocopying, recording, or otherwise, without the prior written consent of Xilinx.