

Introduction

The Xilinx 7 series FPGAs memory interface solutions cores provide high-performance connections to [DDR3 and DDR2 SDRAMs](#), [QDRII+ SRAM](#), [RLDRAM II/RLDRAM III](#), and [LPDDR2 SDRAM](#).

DDR3 and DDR2 SDRAMs

This section discusses the features, applications, and functional description of Xilinx 7 series FPGAs memory interface solutions in DDR3 and DDR2 SDRAMs. These solutions are available with an optional AXI4 slave interface.

DDR3 SDRAM Features

- Component support for interface widths up to 72 bits
- Single and dual rank UDIMM, RDIMM, and SODIMM support
- DDR3 (1.5V) and DDR3L (1.35V)
- 1, 2, 4, and 8 Gb density device support
- 8-bank support
- x8 and x16 device support
- 8:1 DQ:DQS ratio support
- Configurable data bus widths (multiples of 8, up to 72 bits)
- 8-word burst support
- Support for 5 to 14 cycles of column-address strobe (CAS) latency (CL)
- On-die termination (ODT) support
- Support for 5 to 10 cycles of CAS write latency
- ZQ calibration – initial and periodic (configurable)
- Write leveling support for DDR3 (fly-by routing topology required for DDR3 component designs)
- JEDEC-compliant DDR3 initialization support
- Source code delivery in Verilog and VHDL (top-level files only)
- 4:1 and 2:1 memory to FPGA logic interface clock ratio
- ECC support
- I/O Power Reduction option reduces average I/O power by automatically disabling DQ/DQS I/Os and internal terminations during writes and periods of inactivity
- Internal V_{REF} support
- Multicontroller support for up to eight controllers
- Two controller request processing modes:
 - Normal: reorder requests to optimize system throughput and latency
 - Strict: memory requests are processed in the order received

| LogiCORE™ IP Facts Table | |
|---|--|
| Core Specifics | |
| Supported Device Family ⁽¹⁾ | Zynq™-7000 ⁽²⁾ , Virtex®-7 ⁽³⁾ , Kintex™-7 ⁽³⁾ , Artix™-7 |
| Supported Memory | DDR3 Component and DIMM, DDR2 Component and DIMM, QDRII+, RLDRAM II, RLDRAM III, and LPDDR2 SDRAM Components |
| Resources | See Table 1 . |
| Provided with Core | |
| Documentation | Product Specification User Guide |
| Design Files | Verilog, VHDL (top-level files only) |
| Example Design | Verilog, VHDL (top-level files only) |
| Test Bench | Not Provided |
| Constraints File | ISE®: UCF Vivado™: XDC |
| Supported S/W Driver | N/A |
| Tested Design Flows⁽⁴⁾ | |
| Design Entry | ISE Design Suite 14.5 Vivado Design Suite |
| Simulation (Behavioral only) | ISim ⁽⁵⁾ (Verilog designs only), Mentor Graphics Questa® SIM, Vivado Simulator ⁽⁵⁾ |
| Synthesis | XST, Synopsys Synplify Pro Vivado Synthesis |
| Support | |
| Provided by Xilinx @ www.xilinx.com/support | |

Notes:

1. For a complete listing of supported devices, see the [release notes](#) for MIG.
2. Supported in ISE Design Suite implementations only.
3. See the *Virtex-7 FPGAs Data Sheet: DC and Switching Characteristics* or the *Kintex-7 FPGAs Data Sheet: DC and Switching Characteristics* for performance information.
4. For the supported versions of the tools, see the [Xilinx Design Tools: Release Notes Guide](#).
5. ISim and Vivado Simulators are supported for DDR3 SDRAM, DDR2 SDRAM, QDRII+ SRAM, RLDRAM II, and LPDDR2 SDRAM.

DDR2 SDRAM Features

- Component support for interface widths up to 64 bits
- Single rank UDIMM, RDIMM, and SODIMM
- 1 and 2 Gb density device support (additional densities supported in the MIG tool using the Create Custom Part feature)
- 4- and 8-bank support
- x8 and x16 device support
- 8:1 DQ:DQS ratio support
- Configurable data bus widths (multiples of 8, up to 72 bits)
- 8-word burst support
- Support for 3 to 6 cycles of column address strobe (CAS) latency
- On-die termination (ODT) support
- JEDEC-compliant DDR2 initialization support
- Source code delivery in Verilog and VHDL (top-level files only)
- 4:1 and 2:1 memory to FPGA logic interface clock ratio
- ECC support
- I/O Power Reduction option reduces average I/O power by automatically disabling DQ/DQS IBUFs and internal terminations during writes and periods of inactivity
- Internal V_{REF} support
- Two controller request processing modes:
 - Normal: Reorder requests to optimize system throughput and latency
 - Strict: Memory requests are processed in the order received
- Multiple controllers per FPGA supported running the MIG tool multiple times

Applications

Typical applications for the Xilinx 7 series FPGAs memory interface solutions include DDR3 SDRAM and DDR2 SDRAM interfaces.

[Figure 1](#) shows a high-level block diagram of the 7 series FPGAs memory interface solution connecting a user design to a DDR2 or DDR3 SDRAM device. The physical layer (PHY) side of the design is connected to the DDR2 or DDR3 SDRAM device through FPGA I/O blocks (IOBs), and the user interface side is connected to the user design through FPGA logic. See *7 Series FPGAs Memory Interface Solutions User Guide* (UG586) for more details regarding the design.

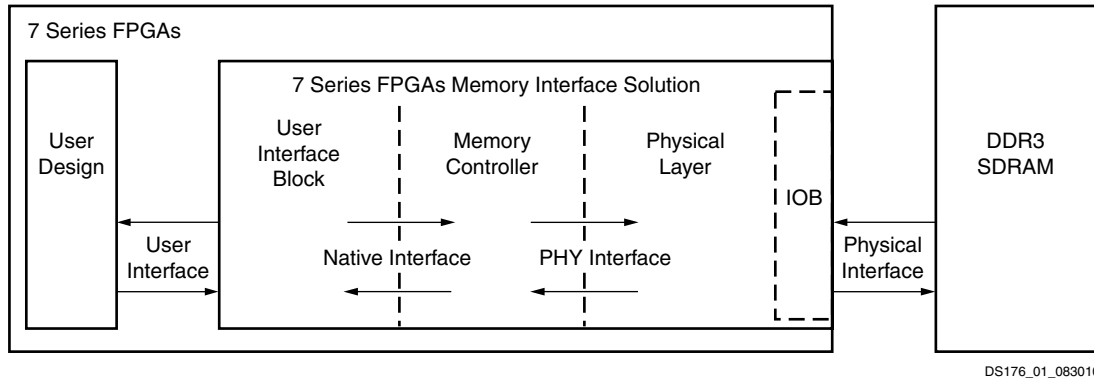


Figure 1: DDR2/DDR3 SDRAM Memory Interface Solution

DS176_01_083010

Functional Description

As shown in Figure 1, the top-level functional blocks of the Xilinx 7 series FPGAs memory interface solution include:

- The User Interface block:
 - Presents the user interface to a user design
 - Provides a simple and user-friendly alternative to the native interface
 - Buffers read and write data
 - Reorders read return data to match the request order
 - Presents a flat address space and translates it to the addressing required by the SDRAM
- The Memory Controller block:
 - Receives requests from the user design
 - Reorders requests to minimize dead states for maximum SDRAM performance
 - Manages SDRAM row/bank configuration
 - Performs high-level SDRAM management such as refresh and activate/precharge
- The PHY block:
 - Interfaces with the Memory Controller block over a simple interface and translates the signals into the actual signals sent to the SDRAM, and vice versa
 - Translates and synchronizes control and data over various clock domains
 - Initializes the SDRAM
 - Performs write leveling for DDR3 (fly-by routing topology required for component designs)
 - Performs calibration to center align capture clocks with read data

Figure 1 also shows a user design connecting to the memory interface. An example user design is provided with the core. See *7 Series FPGAs Memory Interface Solutions User Guide* (UG586) for more details regarding the design.

AXI4 Slave Interface Features

These features are optional and selectable using the MIG GUI:

- AMBA® AXI4 slave-compliant memory-mapped interface
- AXI4-Lite interface support for ECC control and status registers
- 1:1 clock rate to the controller

- AXI4 interface data widths can be 64, 128, 256, or 512 bits to correspond with memory data widths of 8, 16, 32, 64, or 72 bits
- Parameterized address width support
- Support for incremental (INCR) burst up to 256 data beats
- WRAP burst support
- Multicontroller support for up to eight DDR3 SDRAM controllers

QDRII+ SRAM

This section discusses the features, applications, and functional description of Xilinx 7 series FPGAs memory interface solutions in QDRII+ SRAMs.

Features

- QDRII+ SRAM device support
- x18 and x36 memory width support
- Configurable data bus widths (x18, x36)
- 2-word and 4-word burst support
- Source code delivery in Verilog and VHDL (top-level files only)
- 2:1 memory to FPGA logic interface clock ratio
- 2.0-cycle and 2.5-cycle read latency support
- Fixed latency mode support
- Internal V_{REF} support
- Multicontroller support for up to eight controllers

Applications

QDRII+ SRAMs offer high-speed data transfers on separate read and write buses on the rising and falling edges of the clock. These memory devices are used in high-performance systems as temporary data storage, such as:

- Look-up tables in networking systems
- Packet buffers in network switches
- Cache memory in high-speed computing
- Data buffers in high-performance testers

Figure 2 shows a high-level block diagram of the 7 series FPGAs memory interface solution connecting a user design to a QDRII+ SRAM device.

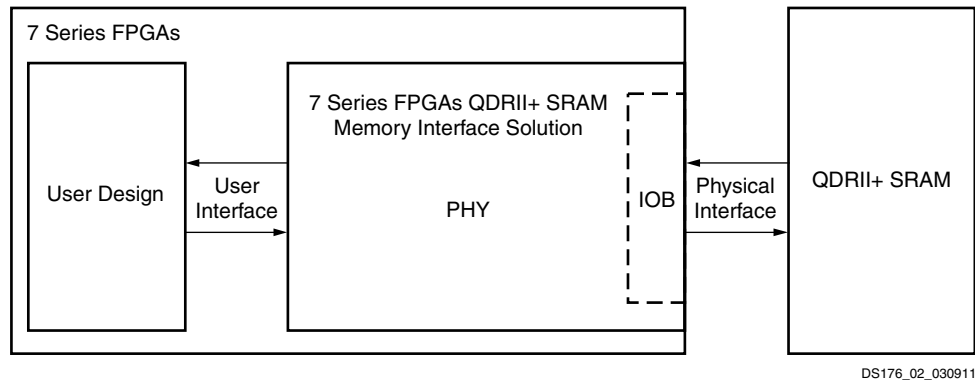


Figure 2: QDRII+ SRAM Memory Interface Core

Functional Description

As shown in Figure 2, the top-level functional block is composed of a PHY that interfaces to the user and to the QDRII+ SRAM device. The PHY block:

- Translates simple user read and write commands to conform to QDRII+ SRAM protocol
- Enables the user to provide up to one read and one write transaction per clock cycle for maximum throughput
- Performs calibration to center align clocks with data
- Returns data to the user with a corresponding valid signal
- Translates and synchronizes over various clock domains
- Implements an optimized half-frequency design that eliminates the need for a memory controller

For more details regarding the design, see *7 Series FPGAs Memory Interface Solutions User Guide* (UG586) provided with the core.

RLDRAM II/RLDRAM III

This section discusses the features, applications, and functional description of Xilinx 7 series FPGAs memory interface solutions in RLDRAM II/RLDRAM III devices.

RLDRAM II Features

- RLDRAM II common I/O (CIO) memory device support
- x18 and x36 memory width support
- Configurable data bus widths (x18, x36, x72)
- 4-word and 8-word burst support
- Configuration 1, 2, 3 support
- Address Multiplexing Mode support
- ODT support
- Source code delivery in Verilog and VHDL (top-level files only)
- 2:1 memory to FPGA logic interface clock ratio
- Internal V_{REF} support

- Multicontroller support for up to eight controllers

RLDRAM III Features

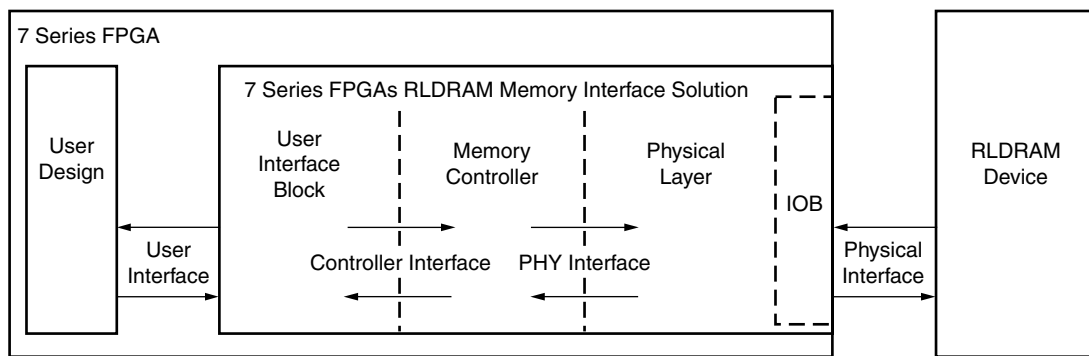
- x18 and x36 memory width support
- Configurable data bus widths (x18, x36, x72)
- 2-word, 4-word, and 8-word burst support
- Address Multiplexing Mode support
- ODT support
- Source code delivery in Verilog only
- 4:1 memory to FPGA logic interface clock ratio
- Internal V_{REF} support

Applications

RLDRAM II and RLDRAM III devices are used in high-performance systems as temporary data storage, such as:

- Look-up tables in networking systems
- Packet buffers in network switches
- Cache memory in high-speed computing
- Data buffers in high-performance testers

Figure 3 shows a high-level block diagram of the 7 series FPGAs memory interface solution connecting a user design to an RLDRAM device. The physical layer is connected to the RLDRAM device through FPGA IOBs, and the user interface is connected to the user design through FPGA logic.



DS176_03_031011

Figure 3: RLDRAM Memory Interface Core

Functional Description

As shown in Figure 3, the top-level functional blocks of the RLDRAM memory interface solution include:

- The User Interface block:
 - Presents the user interface to a user design
 - Buffers commands and write data
- The Memory Controller block:
 - Receives requests from the user design
 - Processes commands in order and adheres to memory specifications
 - Performs high-level SDRAM management, such as refresh, and controls bank access

- The Physical Layer (PHY) block:
 - Interfaces with the Memory Controller block over a simple interface and translates the signals into the actual signals sent to the RLDRAM, and vice versa.
 - Performs memory initialization sequence.
 - Performs calibration to center align clocks with data
 - Returns data to the user with a corresponding valid signal

For more details regarding the design, see *7 Series FPGAs Memory Interface Solutions User Guide* (UG586) provided with the core.

LPDDR2 SDRAM

This section discusses the features, applications, and functional description of Xilinx 7 series FPGAs memory interface solutions in LPDDR2 SDRAMs.

LPDDR2 SDRAM Features

- Component support for interface widths up to 32 bits
- 2 and 4 Gb density device support
- 8-bank support
- x16 and x32 device support
- 8:1 DQ:DQS ratio support
- 8-word burst support
- JEDEC-compliant LPDDR2 SDRAM initialization support
- Source code delivery in Verilog
- 2:1 memory to FPGA logic interface clock ratio
- Internal V_{REF} support
- Two controller request processing modes:
 - Normal: reorder requests to optimize system throughput and latency
 - Strict: memory requests are processed in the order received

Applications

Typical applications for the Xilinx 7 series FPGAs memory interface solutions include LPDDR2 SDRAM interfaces.

[Figure 4](#) shows a high-level block diagram of the 7 series FPGAs memory interface solution connecting a user design to a LPDDR2 SDRAM device. The physical layer (PHY) side of the design is connected to the LPDDR2 SDRAM device through FPGA I/O blocks (IOBs), and the user interface side is connected to the user design through FPGA logic. For more details regarding the design, see *7 Series FPGAs Memory Interface Solutions User Guide* (UG586) provided with the core.

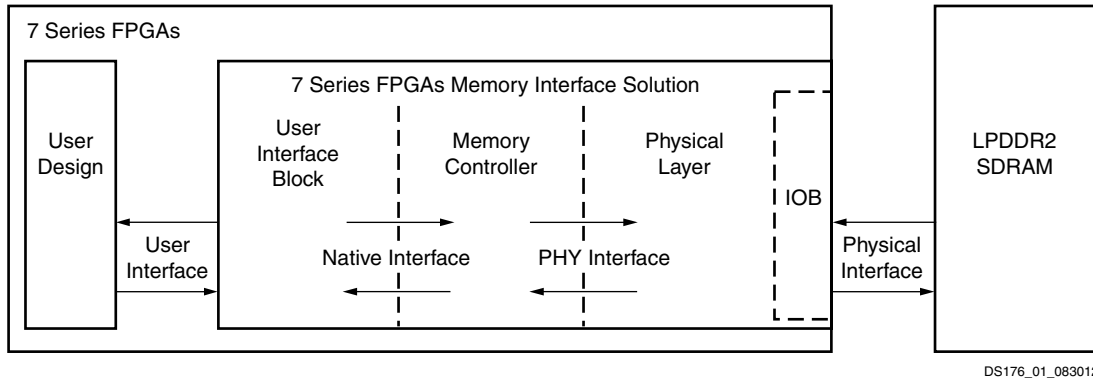


Figure 4: LPDDR2 SDRAM Memory Interface Solution

DS176_01_083012

Functional Description

As shown in Figure 4, the top-level functional blocks of the Xilinx 7 series FPGAs memory interface solution include:

- The User Interface block:
 - Presents the user interface to a user design
 - Provides a simple and user-friendly alternative to the native interface
 - Buffers read and write data
 - Reorders read return data to match the request order
 - Presents a flat address space and translates it to the addressing required by the SDRAM
- The Memory Controller block:
 - Receives requests from the user design
 - Reorders requests to minimize dead states for maximum SDRAM performance
 - Manages SDRAM row/bank configuration
 - Performs high-level SDRAM management such as refresh and activate/precharge
- The Physical Layer (PHY) block:
 - Interfaces with the Memory Controller block over a simple interface and translates the signals into the actual signals sent to the SDRAM, and vice versa.
 - Translates and synchronizes control and data over various clock domains
 - Initializes the SDRAM
 - Performs calibration to center align capture clocks with read data

Figure 4 also shows a user design connecting to the memory interface. For more details regarding the design, see *7 Series FPGAs Memory Interface Solutions User Guide* (UG586) provided with the core.

General Specifications

See the *7 Series FPGAs Memory Interface Solutions User Guide* for more details regarding specific banking, pin location, and internal clock resource requirements for all cores.

Resource Utilization

Table 1: Resource Utilization for 7 Series FPGAs

| Product ⁽¹⁾ | LUTs | Flip-Flops | BUFG | PLLE2 | MMCM | Block RAM |
|-----------------------------|--------|------------|------|-------|------|-----------|
| 7 Series FPGAs DDR3 SDRAM | 15,164 | 10,595 | 2 | 1 | 1 | 0 |
| 7 Series FPGAs DDR2 SDRAM | 7,633 | 4,588 | 2 | 1 | 1 | 0 |
| 7 Series FPGAs QDRII+SRAM | 2,536 | 2,117 | 2 | 1 | 1 | 0 |
| 7 Series FPGAs RLDRAM II | 5,134 | 3,308 | 2 | 1 | 1 | 0 |
| 7 Series FPGAs RLDRAM III | 8,731 | 5,259 | 2 | 1 | 1 | 0 |
| 7 Series FPGAs LPDDR2 SDRAM | 5,233 | 3,871 | 2 | 1 | 1 | 0 |

1. Resource utilization can change depending on the options chosen, memory device used, or both. Resource information is provided for 72-bit DDR3 SDRAM, 72-bit DDR2 SDRAM, 36-bit QDRII+ SRAM, 72-bit RLDRAM II, 72-bit RLDRAM III, and 32-bit LPDDR2 SDRAM interfaces.

Verification

Xilinx 7 series FPGAs memory interface solutions cores have been verified in simulation. Verification tests include:

- Initialization sequence
- Read calibration
- Memory read operation
- Memory write operation
- Row/bank management
- Write leveling

Additional Resources

This section provides additional information related to this data sheet:

- JEDEC Standard JESD79-3E: DDR3 SDRAM, JEDEC Solid State Technology Association
- JEDEC Standard JESD79-2F: DDR2 SDRAM Specification, JEDEC Solid State Technology Association
www.jedec.org

This Xilinx document can be located on the [MIG Solution Center Documentation page](#):

- *7 Series FPGAs Memory Interface Solutions User Guide* (UG586)

The data sheets for the Xilinx 7 series FPGAs can be located at

www.xilinx.com/support/documentation/7_series.htm:

- *Vertex-7 FPGAs Data Sheet: DC and Switching Characteristics* (DS183)
- *Kintex-7 FPGAs Data Sheet: DC and Switching Characteristics* (DS182)

Licensing and Ordering Information

This Xilinx LogiCORE IP module is provided at no additional cost with the Xilinx Vivado Design Suite and ISE Design Suite tools under the terms of the [Xilinx End User License](#). Information about this and other Xilinx LogiCORE IP modules is available at the [Xilinx Intellectual Property](#) page. For information about pricing and availability of other Xilinx LogiCORE IP modules and tools, contact your [local Xilinx sales representative](#).

Revision History

The following table shows the revision history for this document:

| Date | Version | Revision |
|------------|---------|--|
| 03/01/2011 | 1.0 | Initial Xilinx release. |
| 06/22/2011 | 1.1 | ISE 13.2 software release. Added RLDRAM II support throughout document. Added single rank UDIMM support bullet to DDR3 SDRAM Features, page 1 . Added internal V_{REF} support. |
| 10/19/2011 | 1.2 | ISE 13.3 software release for MIG v1.3. <ul style="list-style-type: none"> Added Resources to the IP Facts table. For DDR3 SDRAM, added support for up to eight controllers, added 2:1 as an interface clock ratio, added AXI4-Lite interface support, and added 72 as a memory data width option. For QDRII+ SRAM, added support for 2-word bursts and support for up to eight controllers. For RLDRAM II, added support for Address Multiplexing Mode and support for up to eight controllers. |
| 01/18/2012 | 1.3 | ISE 13.4 tool release for MIG v1.4. <ul style="list-style-type: none"> For DDR3 SDRAM: Added support for 4 Gb density, DDR3L (1.35 V), and dual rank UDIMM, RDIMM, and SODIMM. Removed support for AXI4-Lite interface and 72-bit data width. Added DDR2 SDRAM support. |
| 04/24/2012 | 1.4 | ISE 14.1 tool release for MIG v1.5. <ul style="list-style-type: none"> Added VHDL source code for top-level files for all memory devices For DDR3 and DDR2 SDRAM, added: I/O Power Reduction option, AXI4-Lite interface support for ECC control and status registers, and 72-bit data width. |
| 07/25/2012 | 1.5 | ISE 14.2 and Vivado 2012.2 Design Suite releases for MIG v1.6. |
| 10/16/2012 | 1.6 | ISE 14.3 and Vivado 2012.3 Design Suite releases for MIG v1.7. Added RLDRAM III content. |
| 12/18/2012 | 1.7 | <ul style="list-style-type: none"> ISE 14.4 and Vivado 2012.4 Design Suite releases for MIG v1.8. Added 8 Gb to DDR3 SDRAM feature. Added VHDL support. |
| 03/20/2013 | 1.8 | <ul style="list-style-type: none"> ISE 14.5 and Vivado Design Suite releases for MIG v1.9. Moved Resource table into a separate Resource section. Updated 7 Series FPGAs DDR3 SDRAM in Table 1 Resource Utilization. Added LPDDR2 SDRAM content. |

Notice of Disclaimer

The information disclosed to you hereunder (the "Materials") is provided solely for the selection and use of Xilinx products. To the maximum extent permitted by applicable law: (1) Materials are made available "AS IS" and with all faults, Xilinx hereby DISCLAIMS ALL WARRANTIES AND CONDITIONS, EXPRESS, IMPLIED, OR STATUTORY, INCLUDING BUT NOT LIMITED TO WARRANTIES OF MERCHANTABILITY, NON-INFRINGEMENT, OR FITNESS FOR ANY PARTICULAR PURPOSE; and (2) Xilinx shall not be liable (whether in contract or tort, including negligence, or under any other theory of liability) for any loss or damage of any kind or nature related to, arising under, or in connection with, the Materials (including your use of the Materials), including for any direct, indirect, special, incidental, or consequential loss or damage (including loss of data, profits, goodwill, or any type of loss or damage suffered as a result of any action brought by a third party) even if such damage or loss was reasonably foreseeable or Xilinx had been advised of the possibility of the same. Xilinx assumes no obligation to correct any errors contained in the Materials or to notify you of updates to the Materials or to product specifications. You may not reproduce, modify, distribute, or publicly display the Materials without prior written consent. Certain products are subject to the terms and conditions of the Limited Warranties which can be viewed at <http://www.xilinx.com/warranty.htm>; IP cores may be subject to warranty and support terms contained in a license issued to you by Xilinx. Xilinx products are not designed or intended to be fail-safe or for use in any application requiring fail-safe performance; you assume sole risk and liability for use of Xilinx products in Critical Applications: <http://www.xilinx.com/warranty.htm#critapps>.