

Introduction

The interleaver/de-interleaver core is appropriate for any application that requires data to be rearranged in an interleaved fashion, including many popular communications standards such as CDMA2000 and DVB Terrestrial(T), Cable(C), and Satellite(S).

The multiple configuration mode is particularly useful for standards that require swapping between a number of convolutional interleavers, for example, ITU J.83 Annex B.

Features

- High-speed compact symbol interleaver/de-interleaver
- Supports many popular standards, such as DVB and CDMA2000
- Drop-in module for Kintex™-7, Virtex®-7, Spartan®-6, Virtex-6, Virtex-5, Virtex-4, and Spartan-3/XA, Spartan-3E/XA and Spartan-3A/AN/3A DSP/XA FPGAs
- Forney Convolutional and Rectangular Block type architectures available
- Easy-to-use interface signals
- Fully synchronous design using a single clock
- Symbol size from 1 to 256 bits
- Internal or external symbol RAM
- Convolutional type features:
 - Parameterizable number of branches
 - Parameterizable branch lengths
 - Supports uniform and non-uniform branch length increments
 - Multiple configurations with on-the-fly swapping
- Rectangular Block type features:
 - Parameterizable, variable, or selectable numbers of rows and columns
 - Parameterizable or variable block size
 - Can change numbers of rows/columns or block size at start of each new block
 - Row and column permutations
 - Multiple permutations for selectable rows or columns
 - Input validity checking
- Use with Xilinx CORE Generator™ software and Xilinx System Generator for DSP v13.1
- Available under terms of the [SignOnce IP Site License](#)

LogiCORE IP Facts Table	
Core Specifics	
Supported Device Family ⁽¹⁾	Virtex-7 and Kintex-7, Virtex-6, Virtex-5, Virtex-4, Spartan-6, Spartan-3/XA, Spartan-3E/XA, Spartan-3A/3AN/3A DSP/XA
Supported User Interfaces	Not Applicable
Provided with Core	
Documentation	Product Specification
Design Files	Netlist
Example Design	Not Provided
Test Bench	VHDL
Constraints File	Not Applicable
Simulation Model	VHDL behavioral model in the xilinxcorelib library VHDL UniSim structural model Verilog UniSim structural model
Tested Design Tools	
Design Entry Tools	CORE Generator tool 13.1 System Generator for DSP 13.1
Simulation	Mentor Graphics ModelSim 6.6d Cadence Incisive Enterprise Simulator (IES) 10.2 Synopsys VCS and VCS MX 2010.06 ISIM 13.1
Synthesis Tools	N/A
Support	
Provided by Xilinx, Inc.	

1. For a complete listing of supported devices, see the [release notes](#) for this core.

Functional Description

An interleaver is a device that rearranges the order of a sequence of input symbols. The term *symbol* is used to describe a collection of bits. In some applications, a symbol is a single bit. In others, a symbol is a bus.

The classic use of interleaving is to randomize the location of errors introduced in signal transmission. Interleaving spreads a burst of errors out so that error correction circuits have a better chance of correcting the data.

If a particular interleaver is used at the transmit end of a channel, the inverse of that interleaver must be used at the receive end to recover the original data. The inverse interleaver is referred to as a *de-interleaver*.

Two types of interleaver/de-interleavers can be generated with this core: Forney Convolutional and Rectangular Block. Although they both perform the general interleaving function of rearranging symbols, the way in which the symbols are rearranged and their methods of operation are entirely different.

For very large interleavers, it may be preferable to store the data symbols in external memory. The core provides an option to store data symbols in internal FPGA RAM or in external RAM. This is explained in more detail in the section [External Symbol Memory, page 30](#).

Forney Convolutional Operation

Figure 1 shows the operation of a Forney Convolutional Interleaver. The core operates as a series of delay line shift registers. Input symbols are presented to the input commutator arm on DIN. Output symbols are extracted from the output commutator arm on DOUT. Both commutator arms start at branch 0 and advance to the next branch after the next rising clock edge. After the last branch ($B-1$) has been reached, the commutator arms both rotate back to branch 0 and the process is repeated.

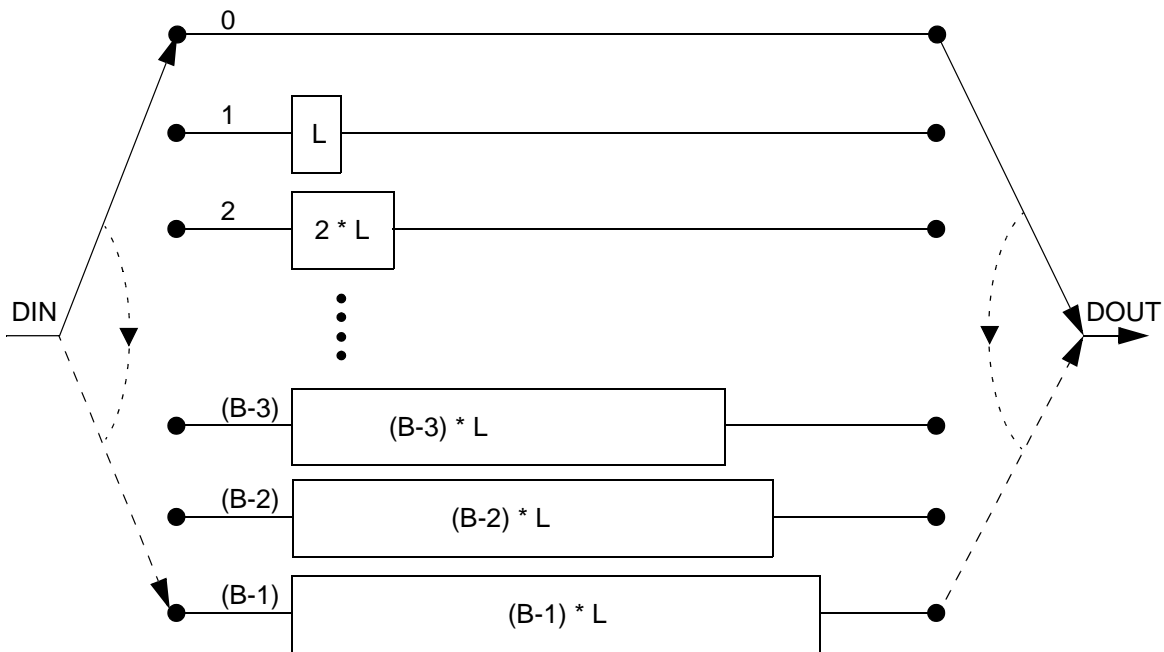


Figure 1: Forney Convolutional Interleaver

In Figure 1, the branches increase in length by a uniform amount, L . The core allows interleavers to be specified in this way, or the branch lengths can be passed in via a file, allowing each branch to be any length. Although branch 0 appears to be a zero-delay connection, there is still a delay of a number of clock cycles between DIN and DOUT because of the fundamental latency of the core. For clarity, this is not illustrated in Figure 1.

The only difference between an interleaver and a de-interleaver is that branch 0 is the longest in the de-interleaver and the branch length is decremented by L rather than incremented. Branch $(B-1)$ has length 0. This is illustrated in Figure 2.

If a file is used to specify the branch lengths, it is arbitrary whether the resulting core is called an interleaver or de-interleaver. All that matters is that one must be the inverse of the other. If a file is used, each branch length is individually controllable. This is illustrated in Figure 3. The file syntax is shown in Figure 13, page 25.

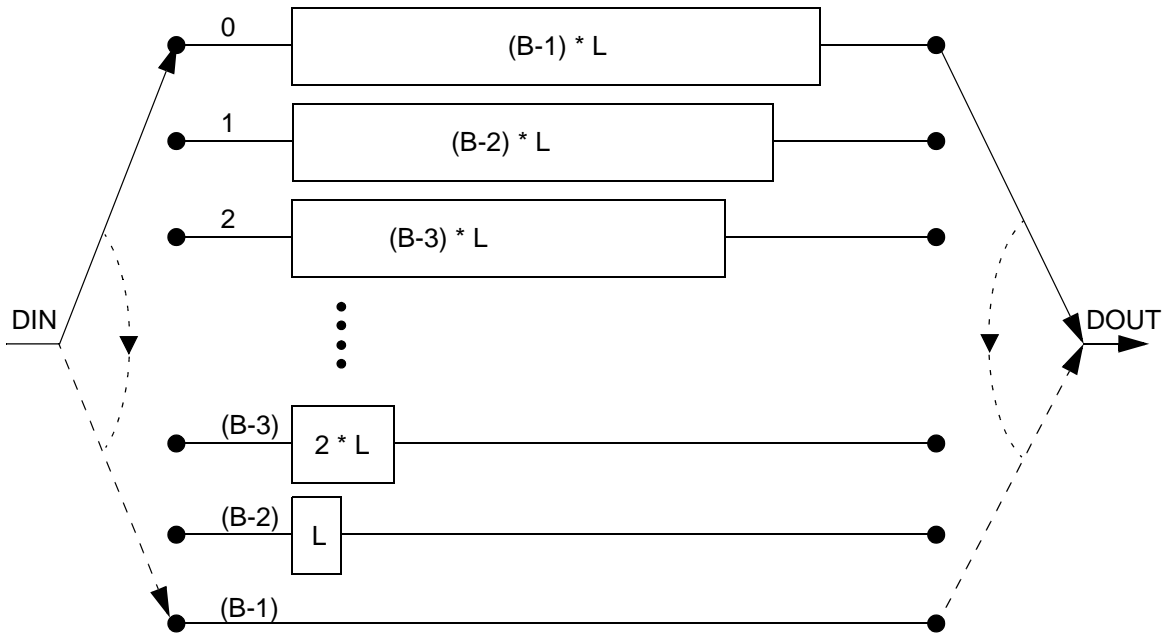


Figure 2: Forney Convolutional De-interleaver

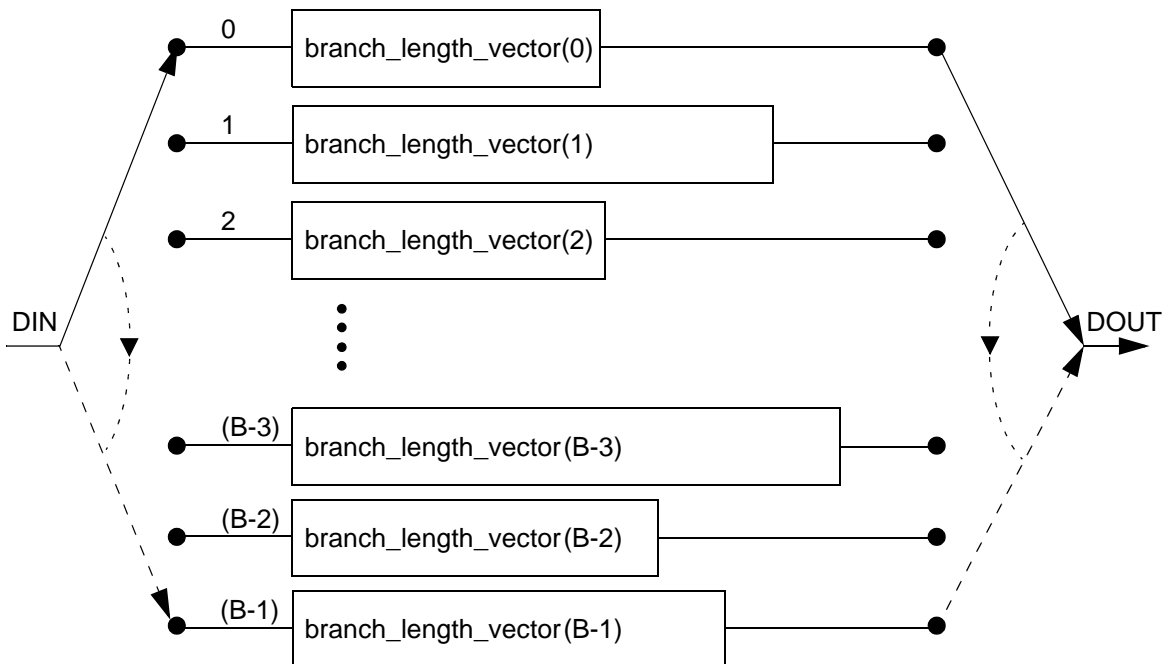


Figure 3: Forney Convolutional Interleaver/De-interleaver with Branch Lengths Set by File

Configuration Swapping

It is possible for the core to store a number of pre-defined configurations. Each configuration can have a different number of branches and branch length constant. It is even possible for each configuration to have every individual branch length defined by file.

The configuration can be changed at any time by asserting `FD` and `NEW_CONFIG` and selecting the required configuration on `CONFIG_SEL`.

The core assumes all configurations are either for an interleaver or de-interleaver, depending on what was selected in the GUI. It is possible to switch between interleaving and de-interleaving by defining the individual branch lengths for every branch of each configuration.

The details for each configuration are specified in a COE file. See [COE Files for Multiple Configurations, page 25](#) for details. The timing for a configuration swap is described in the section [Multiple Configuration Timing, page 28](#).

Rectangular Block Operation

The Rectangular Block Interleaver works by writing the input data symbols into a rectangular memory array in a certain order and then reading them out in a different, mixed-up order. The input symbols must be grouped into blocks. Unlike the Convolutional Interleaver, where symbols can be continuously input, the Rectangular Block Interleaver inputs one block of symbols and then outputs that same block with the symbols rearranged. No new inputs can be accepted while the interleaved symbols from the previous block are being output.

The rectangular memory array is composed of a number of rows and columns as shown in [Figure 4](#).

Row\Column	0	1	...	(C-2)	(C-1)
0					
1					
:					
(R-2)					
(R-1)					

Figure 4: Row and Column Indexing Scheme

The Rectangular Block Interleaver operates as follows:

1. All the input symbols in an entire block are written row-wise, left to right, starting with the top row.
2. Inter-row permutations are performed if required.
3. Inter-column permutations are performed if required.
4. The entire block is read column-wise, top to bottom, starting with the left column.

The de-interleaver operates in the reverse way:

1. All the input symbols in an entire block are written column-wise, top to bottom, starting with the left column.
2. Inter-row permutations are performed if required.
3. Inter-column permutations are performed if required.
4. The entire block is read row-wise, left to right, starting with the top row.

An example of Rectangular Block Interleaver operation is shown in Figure 5. This example has 3 rows, 4 columns and a block size of 12. The inter-row permutation pattern is {2, 0, 1}. This means row 0 is permuted to row 2, row 1 is permuted to row 0, and row 2 is permuted to row 1. The meaning of the permute vector differs for the de-interleaver.

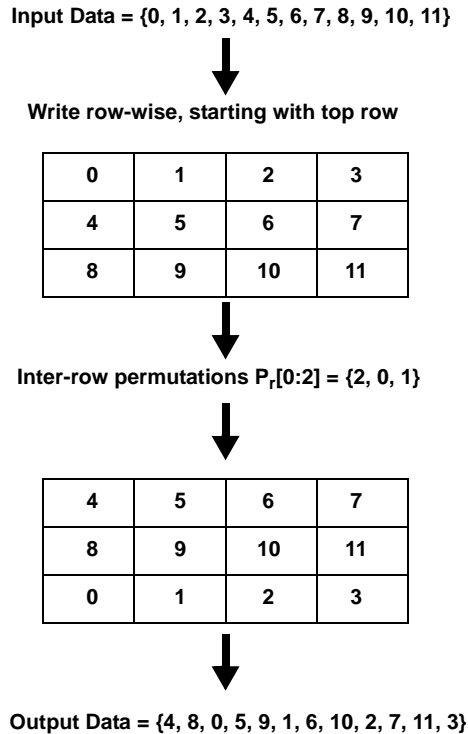


Figure 5: Block Interleaving Example with Row Permutations

Although this example shows only row permutations, it is possible to do both row and column permutations simultaneously. This is shown in Figure 6.

Figure 7 shows the output data from the interleaver of Figure 6 being de-interleaved. All the parameters are the same, apart from mode, which is set to de-interleaver in this case. Notice how the permute vectors are identical to those for the interleaver, but they are interpreted in a different way. This ensures that output data from the interleaver is correctly restored to the original data by the de-interleaver, as shown in Figure 8.

The inter-row permutation pattern is again {2, 0, 1}. However, for the de-interleaver this means row 2 is permuted to row 0, row 0 is permuted to row 1, and row 1 is permuted to row 2.

Input Data = {0, 1, 2, 3, 4, 5, 6, 7, 8, 9, 10, 11}



Write row-wise, starting with top row

0	1	2	3
4	5	6	7
8	9	10	11



Inter-row permutations $P_r[0:2] = \{2, 0, 1\}$



4	5	6	7
8	9	10	11
0	1	2	3



Inter-column permutations $P_c[0:3] = \{3, 1, 0, 2\}$



6	5	7	4
10	9	11	8
2	1	3	0



Output Data = {6, 10, 2, 5, 9, 1, 7, 11, 3, 4, 8, 0}

Figure 6: Block Interleaving Example with Row and Column Permutations

The core can be configured with fixed, variable, or selectable rows and columns. The block size can be fixed, variable or set to always equal $R * C$. If the block size is variable or less than $R * C$, row and column permutations are not supported. If the block size is less than $R * C$, the interleaver is described as *pruned*.

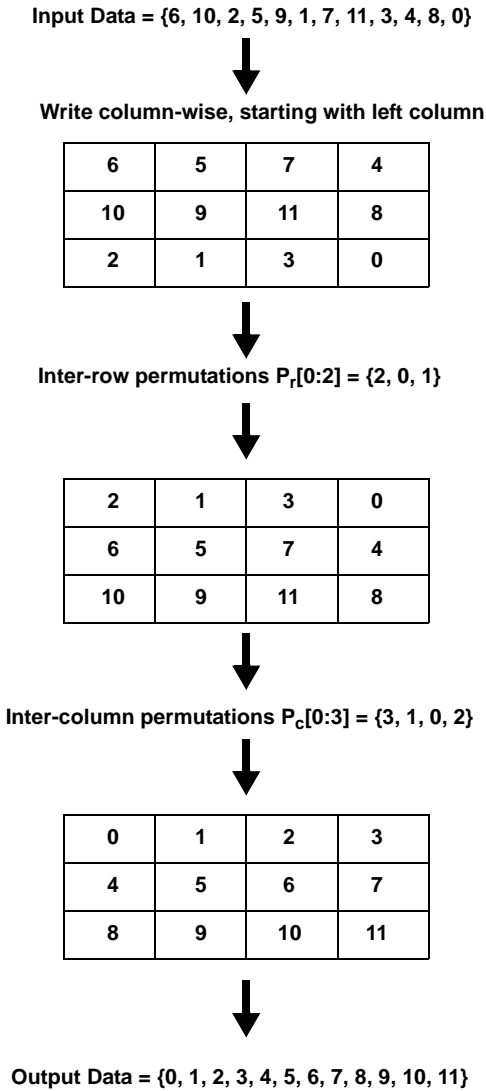


Figure 7: Block De-interleaving Example with Row and Column Permutations

Row permutations are not supported if the row type is *variable*. Column permutations are not supported if the column type is *variable*.

Selectable rows/columns can be used when the number of possible values for the number of rows or columns is known and is relatively small. In this mode, the number of rows/columns is still run-time variable but chosen from a small set of predetermined values, stored within the core. Permutations are possible when using selectable rows or columns. A different permutation vector can be stored for each row or column select value.

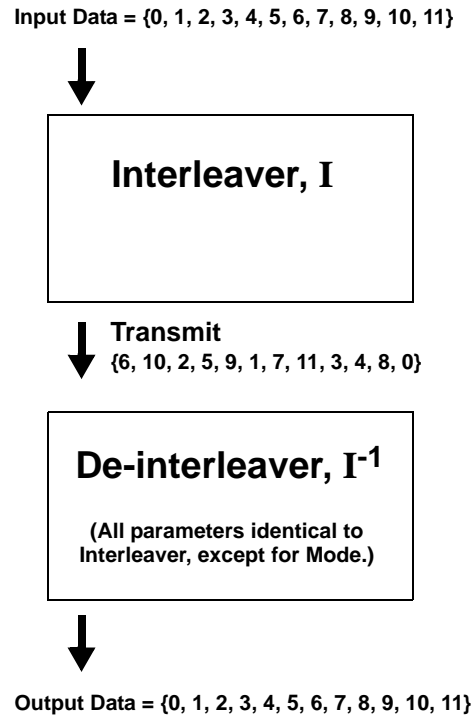


Figure 8: Block Interleaver, De-interleaver Operation

In general, the most efficient core is one with constant rows, columns, and block size. The number of optional pins should be kept to a minimum. For every optional pin or extra feature, such as row or column permutations, there is a price to pay in terms of area and speed.

More details on the available block size types and choosing the appropriate one are given in the section [Block Size Type](#), page 21.

The core also provides optional outputs to check the validity of inputs, such as `BLOCK_SIZE`. These can sometimes be useful in a receiver to detect if things have gone catastrophically wrong before further error correction is attempted.

Block Interleaver Specifications

Sometimes, a specification requires a Rectangular Block Interleaver, but it is specified in the form of an equation. It is not always immediately obvious that the equation represents a block interleaver.

It may be necessary to evaluate the equation for a number of values to see if it can be translated into the parameters required by the block interleaver core.

For example, one way of defining a block interleaver is to specify that the symbols are all written to a memory in sequential order (0, 1, ... block_size-1) as in the write phase of [Figure 5](#). The symbols are then read back from memory in an order defined by the following equation:

$$\text{Read Address}_i = 2^c(i \bmod R) + \text{BRO}_c(\text{Round Down}(i/R))$$

where i increments from 0 to block_size-1, 2^c is the number of columns and R is the number of rows. $\text{BRO}_c(x)$ is the bit-reversed c -bit value of x , for example, $\text{BRO}_3(1) = 4$.

Examination of the Read Address equation shows that the first part, $2^c(i \bmod R)$, yields the start address of each row. The second part, $BRO_c(\text{Round Down}(i/R))$, yields how far along the row to go. The BRO part produces column permutations. For example, if $c=3$, column 4 is permuted to column 1 and column 1 is permuted to column 4.

If $c=3$ and $R=4$, then the resultant column permute vector is $\{0, 4, 2, 6, 1, 5, 3, 7\}$.

Pinout

Some of the pins are optional. These should be selected only if they are genuinely required, as their inclusion might result in an increase in the core size.

Representative symbols for the Forney Convolutional type and Rectangular Block type are shown in [Figure 9](#) and [Figure 11](#), respectively.

[Table 1](#) summarizes the signal functions. They are described in more detail in the remainder of this section. Timing examples are shown in the section [Timing, Latency and FDO Delay, page 27](#).

Table 1: Core Signal Pinout

Signal	Direction	Description	Conv	Rect
BLOCK_SIZE<>	Input	Block Size: If block size is variable.	-	O
BLOCK_SIZE_VALID	Output	Block Size Valid: Indicates if an invalid value is sampled on BLOCK_SIZE.	-	O
BLOCK_START	Output	Block Start: Indicates first symbol of block on DOUT.	-	O
BLOCK_END	Output	Block End: Indicates last symbol of block on DOUT.	-	O
CLK	Input	Clock: Clock input, all core operation is synchronous with the CLK input.	M	M
CE	Input	Clock Enable: Freezes state of core when low.	O	O
COL<>	Input	Number of Columns: If the number of columns is variable, this specifies how many columns are in the block.	-	O
COL_SEL<>	Input	Column Select: If the number of columns is selectable, this specifies which predefined value for the number for columns to use.	-	O
COL_SEL_VALID	Output	Column Select Valid: A 1 means "valid." A 0 means "invalid."	-	O
COL_VALID	Output	Column Valid: A 1 means "valid." A 0 means "invalid."	-	O
CONFIG_SEL<>	Input	Configuration Select: Select one from a number of pre-defined configurations.	O	-
DIN<>	Input	Data Input: Input symbols to be interleaved/deinterleaved.	M	M
DOUT<>	Output	Data Output: Output symbols after interleaving/deinterleaving.	M	M
FD	Input	First Data: Indicates first symbol on DIN.	M	M
FDO	Output	First Data Out: Flags propagation of first symbol to DOUT.	O	-
ND	Input	New Data: Indicates new data on DIN.	M	O
NDO	Output	New Data Out: ND delayed by latency.	O	-
NEW_CONFIG	Input	New Configuration: Indicates that configuration has changed.	O	-
RD_ADDR<>	Output	Read Address: For external symbol RAM.	O	O
RD_DATA<>	Input	Read Data: Read data value from external symbol RAM.	O	O
RD_EN	Output	Read Enable: High when reading data from external symbol RAM.	O	O
RDY	Output	Output Ready: Indicates valid data on port DOUT.	O	O
RFD	Output	Ready for Data: Indicates that the core is ready to receive new data.	O	O

Table 1: Core Signal Pinout (Cont'd)

Signal	Direction	Description	Conv	Rect
RFFD	Output	Ready for First Data: Indicates that FD can be asserted.	O	O
ROW<>	Input	Number of Rows: If the number of rows is variable, this specifies how many rows are in the block.	-	O
ROW_SEL<>	Input	Row Select: If the number of rows is selectable, this specifies which predefined value for the number for rows to use.	-	O
ROW_SEL_VALID	Output	Row Select Valid: A 1 means "valid." A 0 means "invalid."	-	O
ROW_VALID	Output	Row Valid: 1 means "valid." A 0 means "invalid."	-	O
SCLR	Input	Synchronous Reset: Reinitializes core control logic.	O	O
WR_ADDR<>	Output	Write Address: For external symbol RAM.	O	O
WR_DATA<>	Output	Write Data: Write data value for external symbol RAM.	O	O
WR_EN	Output	Write Enable: High when writing data to external symbol RAM.	O	O

Notes:

- <> signifies that a signal can be a multi-bit bus.
- The last two columns define whether the pin is Mandatory (M), Optional (O) or not available, (-) for the Convolutional and Rectangular Block Interleavers.

Pin Description for Forney Convolutional Type

Figure 9 illustrates the Forney Convolutional type schematic symbol.

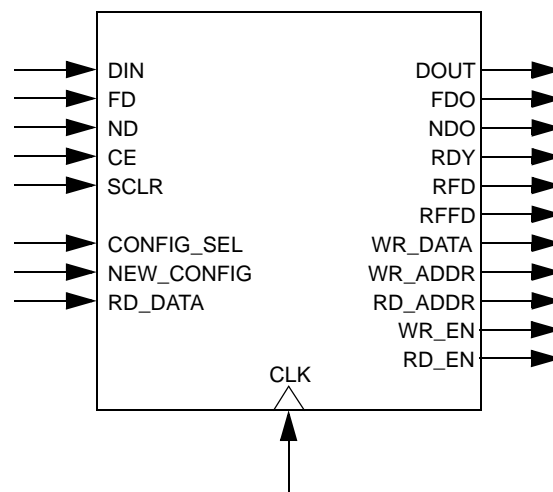


Figure 9: Forney Convolutional Schematic Symbol

DIN Input

This is the input bus for symbols to be interleaved. Symbols on DIN are sampled, interleaved, and output on DOUT.

FD Input

The FD (First Data) input is used to:

- Initialize the core commutator arms to the branch 0 tap.
- Indicate that the value on the DIN port is the first symbol in a sequence of symbols.

The term “valid FD pulse” is used to describe the case when FD and ND (and CE, if appropriate) are asserted logic-high while a rising edge of CLK occurs. It is recommended that a valid FD pulse last for only a single clock cycle. However, the core supports the case where it is asserted logic-high for multiple clock cycles. The data symbols, sampled from the DIN port, all pass through branch 0 while valid FD pulses are sampled.

Only one valid FD pulse is required after power-on-reset or initialization. FD can be asserted subsequently. However, the behavior then depends on the value on the optional RFFD output (or its internal equivalent if there is no RFFD output).

Referring to [Figure 1](#), the commutator arms cycle periodically, returning to the initial starting position after B symbols have been sampled. A logic-high on the RFFD output indicates that the symbol sampled on the DIN port (assuming a valid ND pulse is also sampled), passes through the branch 0 tap of the input commutator arm. Therefore, sampling a valid FD pulse while RFFD is logic-high does not actually affect the synchronization of the commutator arms (assuming that a valid FD pulse has been previously sampled). This is the preferred mode of operation, as it ensures that symbols already in the branch memory eventually appear on the DOUT port in the appropriate interleaved/de-interleaved order.

If a valid FD pulse is received when RFFD is logic-low, the core aborts the previous interleave operation and the commutator arms are reset to branch 0. The periodic cycling of the commutator arms is disrupted. Therefore, the symbols that are already in the branch memory do not appear on the DOUT output port in the expected interleaved/de-interleaved order.

ND Input

When the ND (New Data) input is sampled logic-high, it signals the core that a new symbol on DIN should be sampled on the same rising clock edge. Every new input symbol, including the first, must be qualified by ND. ND differs from CE in that the core is not frozen when ND is low. The core processes the new sample as far as possible. Like all the synchronous inputs, ND is ignored if CE is low. For every input symbol qualified by ND, a new symbol is also output on DOUT.

CE Input

The Clock Enable input is an optional input pin. When CE is deasserted (low), all the synchronous inputs are ignored and the core remains in its current state.

An example of CE operation is shown in [Figure 10](#). In this case, the core ignores symbol Di2 and all the other synchronous inputs at this time. The state of the core is frozen while CE is low.

SCLR Input

When SCLR is asserted (high), all the core flip-flops are synchronously initialized. The core remains in this state until SCLR is deasserted.

The synchronous initialization has the effect of resetting the commutator arms to the branch 0 position. The branches themselves are not cleared.

SCLR is an optional pin, as the core can function correctly without it. The mandatory FD input causes the logic to be synchronously initialized every time it is asserted.

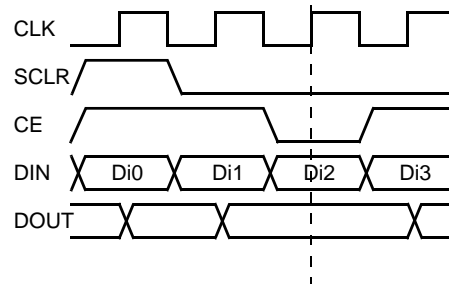


Figure 10: CE and SCLR Timing

CONFIG_SEL Input

If the number of configurations is more than one, then CONFIG_SEL selects which configuration to use for the current block. CONFIG_SEL is sampled when FD is asserted. NEW_CONFIG must also be asserted. More details on the use of multiple configurations are given in the section [Configuration Swapping, page 4](#).

NEW_CONFIG Input

NEW_CONFIG must be asserted at the same time as FD when a configuration swap is to occur. This distinguishes between an ordinary FD pulse and one where the configuration is also to be swapped. NEW_CONFIG must always be asserted for the very first FD pulse. This causes the core to load the initial configuration. The core cannot operate correctly until a valid FD pulse with NEW_CONFIG high has occurred at least once.

DOUT Output

This is the output bus for the interleaved/de-interleaved symbols. This bus always has the same width as DIN. One new symbol is output on DOUT for each input symbol sampled on DIN. The number of clock cycles between an input symbol being sampled and a new output appearing on DOUT is termed the *latency* of the core. Note that this is not the number of cycles from a particular symbol being sampled on DIN and the same symbol finally appearing on DOUT. For the first symbol, this is termed the *FDO delay* and is dependent on the interleaver branch lengths. This delay is different for each input symbol because of the interleaving process. The latency is always the same, regardless of branch lengths. Latency and the FDO delay are described further on, in the section [Timing, Latency and FDO Delay, page 27](#).

FDO Output

First Data Out (FDO) is a time-delayed version of the FD input. FDO is asserted high when the value sampled on DIN at the time of the FD pulse appears on DOUT. The FDO delay is dependent on the latency and the branch lengths. The FDO output is useful for synchronizing circuits downstream of the interleaver. It can be used to tell those circuits when to start a new block if the data is arranged in blocks.

NDO Output

New Data Out (NDO) is a time-delayed version of the ND input. A new symbol is output on DOUT for every symbol input on DIN. NDO is asserted high whenever a new symbol is output. The delay from ND to NDO is dependent only on the latency, as the symbol being qualified by NDO is not the same as the one qualified by ND. The NDO output is also useful for synchronizing circuits downstream of the interleaver. It can be used to tell those circuits when to sample a new input.

NDO remains low until after the first valid FD pulse.

RDY Output

The RDY (Ready) output is similar to NDO. It signals valid data on DOUT. The difference from NDO is that RDY is not asserted until the input symbol sampled with the first FD pulse finally appears on DOUT. NDO is asserted as each zero (or other symbol) that was in the branch memory prior to the FD pulse is flushed out. RDY is not asserted for this data.

If branch 0 has length 0, RDY and NDO are identical. This is because the first symbol output on DOUT after the FD pulse is the one that was sampled with FD.

RFD Output

Ready for Data (RFD) indicates that the core is ready to sample new data on DIN. For the Convolutional type, RFD is permanently high because the core is always ready for new data. The output is provided only for consistency with other Xilinx cores that provide handshaking signals. The core does not sample new data during synchronous resets, even though RFD is high.

RFFD Output

When Ready for First Data (RFFD) is asserted high, it indicates that FD may be asserted without affecting the synchronization of the commutator arms. When a valid FD pulse is received, RFFD is deasserted immediately. It then remains low until B symbols have been sampled. B is the number of branches, as shown in [Figure 1](#). It is then reasserted high, indicating that the commutator arms are back at position 0. An FD pulse can safely be applied at this time, although it is unnecessary unless an FDO output pulse is required.

Although RFFD is an optional output, it is always required internal to the core because FD-aborts must be detected. An FD-abort takes place when a valid FD pulse occurs when the commutator arms are not located at branch 0. This situation is described in the [FD Input](#) section.

Unlike all the other outputs, RFFD is not a glitch-free output.

RD_EN Output

This optional pin is present when external symbol memory is selected. It is the read enable for the RAM. The core asserts the RD_EN output high when there is a valid read address on RD_ADDR and it needs to read the contents of that RAM location.

WR_EN Output

This is the write enable for the external symbol RAM. The core asserts the WR_EN output high when there is a valid write address on WR_ADDR and it needs to write to that RAM location.

RD_DATA Input

This is the read data bus from the external symbol RAM. It has the same width as DIN. For the Convolutional Interleaver, one of the dual-port RAM output data ports should be connected to RD_DATA. This should be a different port from the one used by WR_DATA.

RD_DATA is simply passed straight back out on DOUT. It is not registered or modified in any way inside the core.

WR_DATA Output

This is the write data bus to the external symbol RAM. It has the same width as DIN. For the Convolutional Interleaver, the dual-port RAM input data port should be connected to WR_DATA. If RD_DATA uses one port, then WR_DATA should use the other port.

RD_ADDR Output

This is the read address for the external symbol RAM. For the Convolutional Interleaver, the external RAM must be dual-port, with separate read and write address busses. RD_ADDR should be connected to the RAM address bus corresponding to the port used by RD_DATA. RD_ADDR must be exactly wide enough to address the required symbol memory depth. The CORE Generator software calculates this automatically and generates a core with appropriately sized address busses. The required address bus width is also displayed on the last page of the core GUI.

WR_ADDR Output

This is the read address for the external symbol RAM. For the Convolutional Interleaver, the external RAM must be dual-port, with separate read and write address busses. WR_ADDR should be connected to the RAM address bus corresponding to the port used by WR_DATA.

WR_ADDR must be the same width as RD_ADDR.

Pin Description for Rectangular Block Type

Figure 11 illustrates the Rectangular Block type schematic symbol.

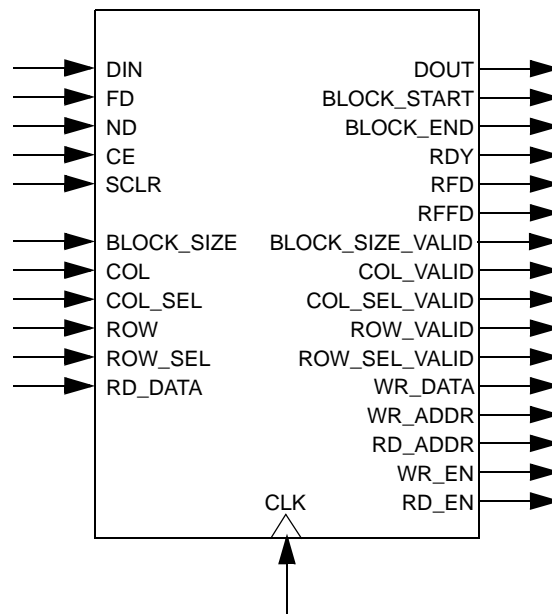


Figure 11: Rectangular Block Schematic Symbol

DIN Input

This is the input bus for symbols to be interleaved. Symbols on DIN are sampled, interleaved, and output on DOUT.

FD Input

The First Data (FD) input is used to indicate that the value on the DIN port is the first symbol in a new block.

The term “valid FD pulse” is used to describe the case when FD (and ND and CE, if appropriate) is asserted logic-high while a rising edge of CLK occurs.

FD must be asserted at the beginning of each new block input to the core. FD should not be reasserted until the core is ready to accept a new block of data. This is N sample periods (while data is sampled) plus N clock periods (while data is output), where N equals the block size. The optional RFFD output is provided to determine when it is safe to start a new block.

If a valid FD pulse is received before the core is ready for a new block to be started, the core aborts the previous interleave operation and starts a new block. The internal operation of the core is disrupted, which means the symbols that are already in the symbol memory do not appear on the DOUT output port in the expected interleaved/de-interleaved order. DOUT is undefined until data from the new block starts to appear on DOUT. The optional RFFD output is available when it is necessary to determine when it is safe to assert FD.

ND Input

When the optional ND (New Data) input is sampled logic-high, it signals the core that a new symbol on DIN should be sampled on the same rising clock edge. If ND is selected, every new input symbol, including the first, must be qualified by ND. ND differs from CE in that the core is not frozen when ND is low. The core processes the new sample as far as possible. Like all the synchronous inputs, ND is ignored if CE is low. ND is also ignored when the core is busy processing a received block. The optional RFD output is available to flag when this is the case, if required.

CE Input

The Clock Enable input is an optional input pin. When CE is deasserted (low), all the synchronous inputs are ignored and the core remains in its current state.

An example of CE operation is shown in [Figure 10](#). In this case, the core ignores symbol Di2 and all the other synchronous inputs at this time. The state of the core is frozen while CE is low.

BLOCK_SIZE Input

This optional input is automatically selected if variable block sizes are chosen in the GUI. The width of the input is also entered in the GUI. Take care not to make this port any wider than necessary, as this increases the size of the core.

BLOCK_SIZE is resampled at the start of each new block when FD is sampled high. Illegal values on BLOCK_SIZE can be detected using the BLOCK_SIZE_VALID output, if necessary. See [Block Size Type, page 21](#), for details of illegal BLOCK_SIZE values.

COL Input

This optional input is automatically selected if the variable number of columns option is chosen in the GUI. The width of the input is also entered in the GUI. As with BLOCK_SIZE, care should be taken not to make this port any wider than necessary, as this increases the size of the core.

COL is resampled at the start of each new block when FD is sampled high. The number sampled from the COL input tells the core how many columns there are in the block. Illegal values on COL can be detected using the COL_VALID output, if necessary.

COL_SEL Input

This optional input is automatically selected if the selectable number of columns option is chosen in the GUI. The width of the input is determined from the number of selectable columns entered in the GUI. Again, care should be taken not to make this any larger than necessary, as this increases the size of the core.

COL_SEL is resampled at the start of each new block when FD is sampled high. The number sampled from the COL_SEL input tells the core which value to use from the COE file. 0 means use the first value, 1 the second, and so on.

The value sampled on COL_SEL must correspond to a predefined number of columns in the COE file. An illegal value on COL_SEL can be detected using the COL_SEL_VALID output, if necessary.

An example of an illegal COL_SEL value would be three possible numbers of columns being defined in the COE file. These would be selected using a two-bit COL_SEL bus. '00,' '01' and '10' would all be valid COL_SEL inputs, but '11' would be illegal because there is no corresponding column number for that COL_SEL value in the COE file.

ROW Input

This optional input is automatically selected if the variable number of rows option is chosen in the GUI. The width of the input is also entered in the GUI. Care should be taken not to make this port any wider than necessary, as doing so increases the size of the core.

ROW is resampled at the start of each new block when FD is sampled high. The number sampled from the ROW input tells the core how many rows are in the block. Illegal values on ROW can be detected using the ROW_VALID output, if necessary.

ROW_SEL Input

This optional input is automatically selected if the selectable number of rows option is chosen in the GUI. The width of the input is determined from the number of selectable rows entered in the GUI. Care should be taken not to make this any larger than necessary, as doing so increases the size of the core.

ROW_SEL is resampled at the start of each new block when FD is sampled high. The number sampled from the ROW_SEL input tells the core which value to use from the COE file. 0 means use the first value, 1 the second, and so on. An illegal value on ROW_SEL can be detected using the ROW_SEL_VALID output, if necessary. Illegal ROW_SEL values are defined in the same way as for COL_SEL. See the description of [COL_SEL Input](#) for more details.

SCLR Input

When SCLR is asserted (high), all the core flip-flops are synchronously initialized. The core remains in this state until SCLR is deasserted.

The synchronous initialization resets only the core control logic. The symbol memory itself is not cleared.

SCLR is an optional pin; the core can function correctly without it. The mandatory FD input causes the control logic to be synchronously initialized every time it is asserted.

DOUT Output

This is the output bus for the interleaved/de-interleaved symbols. This bus always has the same width as DIN.

The core does not start to output the symbols from the block in an interleaved/de-interleaved fashion until all the symbols from the block have been sampled.

The number of clock cycles between the *last* input symbol in a block being sampled and the *first* symbol from that block appearing on DOUT is termed the *latency* of the core. Note that this definition differs from the one used for the Convolutional interleaver. The number of cycles from the first symbol being sampled on DIN to the first symbol of the same block finally appearing on DOUT is termed the *FDO delay* or *BLOCK_START delay*. This delay is dependent on the interleaver block size.

The delay from an input symbol being sampled on DIN to that same symbol finally appearing on DOUT is different for each input symbol because of the interleaving process.

Latency and the BLOCK_START delay are described further on in [Timing, Latency and FDO Delay, page 27](#).

BLOCK_START Output

BLOCK_START has similar functionality to FDO in the Convolutional interleaver. It is asserted high when the first symbol of a block appears on DOUT. The BLOCK_START delay is dependent on the latency and the block size. The BLOCK_START output is useful for synchronizing circuits downstream of the interleaver. It can be used to tell those circuits when to start a new block.

BLOCK_END Output

BLOCK_END is asserted high when the last symbol of a block appears on DOUT. As with BLOCK_START, this cannot be the last symbol from the block as sampled on DIN, because of the interleaving process.

BLOCK_SIZE_VALID Output

This optional output is available when the block size is not constant, that is, if the block size type is either variable or equal to $R * C$.

If the block size type is variable, BLOCK_SIZE_VALID signals whether a legal or illegal value is sampled on the BLOCK_SIZE input. If an illegal value is sampled, BLOCK_SIZE_VALID goes low a predefined number of clock cycles later.

If the block size type is $R * C$, BLOCK_SIZE_VALID signals that the block size, generated from the values sampled on ROW or ROW_SEL, or on COL or COL_SEL, is legal.

[Table 2](#) lists the number of clock cycles from FD being sampled high to BLOCK_SIZE_VALID (or any of the other *_VALID outputs) changing. Once a *_VALID output has gone low, it remains low until “Valid Delay” clock cycles after the next block is started. The latency is defined in [Table 5](#) and always equals a constant. Thus, the Valid Delay is always constant.

Table 2: Clock Cycles from FD

Block Size Type	Selectable Rows or Columns	Valid Delay (clock cycles)
Variable	-	latency-2
Row x Column	No	2
Row x Column	Yes	4

Regardless of the block size type chosen, the block size must never go below the absolute minimum value given in [Table 3](#).

COL_VALID Output

This optional output is available when a variable number of columns is selected. If an illegal value is sampled on the COL input, COL_VALID goes low a predefined number of clock cycles later. [Table 2](#) lists the number of clock cycles from FD being sampled high to COL_VALID changing.

See [Table 3](#) for details of illegal COL values.

COL_SEL_VALID Output

This optional output is available when a selectable number of columns is chosen. If an illegal value is sampled on the COL_SEL input, COL_SEL_VALID goes low a predefined number of clock cycles later. [Table 2](#) lists the number of clock cycles from FD being sampled high to COL_SEL_VALID changing.

See [COL_SEL Input](#) for an explanation of an illegal COL_SEL value.

ROW_VALID Output

This optional output is available when a variable number of rows is selected. If an illegal value is sampled on the ROW input, ROW_VALID goes low a predefined number of clock cycles later. [Table 2](#) lists the number of clock cycles from FD being sampled high to ROW_VALID changing.

See [Table 3](#) for details of illegal ROW values.

ROW_SEL_VALID Output

This optional output is available when a selectable number of rows is chosen. If an illegal value is sampled on the ROW_SEL input, ROW_SEL_VALID goes low a predefined number of clock cycles later. [Table 2](#) lists the number of clock cycles from FD being sampled high to ROW_SEL_VALID changing.

See [ROW_SEL Input](#) for an explanation of an illegal ROW_SEL value.

RDY Output

The RDY (Ready) output signals valid interleaved/de-interleaved data on DOUT. Under normal operation, RDY is high the whole time a block is being output on DOUT.

RFD Output

RFD (Ready for Data) indicates that the core is ready to sample new data on DIN. Under normal operation, RFD is high. If N is the block size, the core samples N symbols and RFD immediately goes low. RFD remains low for N clock cycles and then go high again.

ND and DIN are ignored when RFD is low.

If any of the *_VALID outputs go low, RFD (and RFFD) are forced high one clock cycle later.

RFFD Output

When RFFD (Ready for First Data) is asserted high, it indicates that FD can be safely asserted without affecting any processing for previous blocks.

When a valid FD pulse is received, RFFD is deasserted immediately. It then remains low until N symbols have been sampled and a further N clock cycles have elapsed, where N is the block size. It is then reasserted high, indicating that an FD pulse can be safely applied at this time.

If any of the *_VALID outputs go low, RFFD (and RFD) are forced high one clock cycle later.

RD_EN Output

This optional pin is present when external symbol memory is selected. The Rectangular Block Interleaver uses only a single port symbol RAM and RD_EN is simply driven high all the time. Note that it is high even when CE is low, so care must be taken if using it to drive an enable input external to the core. It might be necessary to AND it with CE.

WR_EN Output

This is the write enable for the external symbol RAM. This has the same functionality as described previously for the Convolutional Interleaver.

RD_DATA Input

This is the read data bus from the external symbol RAM. It has the same functionality as described previously for the Convolutional Interleaver, except the RAM only needs to be single-port in this case.

WR_DATA Output

This is the write data bus to the external symbol RAM. It has the same functionality as described previously for the Convolutional Interleaver, except the RAM only needs to be single-port in this case.

RD_ADDR Output

This is the address for the external symbol RAM. As the RAM is only single-port for the Rectangular Block Interleaver, there only needs to be one address bus. RD_ADDR and WR_ADDR are actually identical for the Rectangular Block Interleaver.

WR_ADDR Output

For the Rectangular Block Interleaver, this is just a duplicate of RD_ADDR.

CORE Generator Software Parameters

The CORE Generator GUI for the Interleaver/De-interleaver core uses several screens for setting core parameters. To move between screens, click **Next** or **Back**. After selecting the desired parameters for type of core you want, click **Generate** to generate the core when you reach the final screen.

Note that some parameters are relevant to both types of interleavers, and some are specific to only one type.

Component Name

Used as the base name of the output files generated for the core. Names must begin with a letter and must be composed of the following characters: a to z, 0 to 9 and “_”.

Memory Style

The following options are available:

- **Distributed.** The core should not use any block memories, if possible. This is useful if they are required elsewhere in the design.

- **Block.** The core should use block memories wherever possible. This keeps the number of slices used to a minimum, but may waste block memory.
- **Automatic.** Allow the core to use the most appropriate style of memory for each case, based on required memory depth.

Symbol Memory Type

Allows the symbol memory to be specified as internal or external. If external is selected, then all the optional pins required for external memory access are automatically added.

Mode

Determines whether the core is to be an interleaver or de-interleaver.

For the Forney Convolutional type, the branch lengths are incremented from branch 0, as shown in [Figure 1](#), or decremented from branch 0, as shown in [Figure 2](#). If the branch lengths are specified in a file, the mode is irrelevant.

For the Rectangular Block type, this determines whether a write rows, read columns or write columns, read rows operation is performed.

Symbol Width

This is the bus width of the DIN and DOUT ports.

Pipelining

Three levels of pipelining are available. Select **Maximum** if speed is important. This might result in a slight increase in area. The latency of the Convolutional type also increases slightly. The behavior of the Rectangular Block type is identical whether level of pipelining is selected.

In general, it is recommended that **Maximum** pipelining is used.

Medium and **Maximum** pipelining have the effect of adding input registers to DIN, FD, and ND in the Convolutional type. **Maximum** pipelining results in some additional internal registering within the core compared to **Medium** pipelining.

In the Rectangular Block type, a number of internal circuits are pipelined to improve performance. **Medium** and **Maximum** pipelining are actually identical for the Rectangular Block type. It might be possible to further improve performance by adding extra registers on all the synchronous inputs and outputs external to the core.

Optional Pins

Check the boxes of the optional pins that are required. Each selected pin can result in more FPGA resources being used and can result in a reduced maximum operating frequency.

System Generator for DSP Graphical User Interface

The Symbol Interleaver/De-interleaver core is available through Xilinx System Generator for DSP, a design tool that enables the use of the model-based design environment Simulink® for FPGA design. The Symbol Interleaver/De-interleave core is one of the DSP building blocks provided in the Xilinx blockset for Simulink. The core can be found in the Xilinx Blockset in the Communication section. The block is called "Interleaver/De-interleaver 6.0." See the System Generator User Manual for more information.

The controls in the System Generator GUI work identically to those in the CORE Generator GUI, although the layout has changed slightly. See "CORE Generator Software Parameters," page 19, for detailed information about all other parameters.

Forney Convolutional Specific Parameters

Number of Branches

The value for the variable B in [Figure 1](#), [Figure 2](#), and [Figure 3](#). The value must always be specified, even when using a file to define branch lengths.

Length of Branches

Either a constant difference between branch lengths, as in [Figure 1](#) and [Figure 2](#), or the branch lengths specified from a file, as in [Figure 3](#). [Figure 13](#) provides an example of the file syntax in the latter case.

Number of Configurations

If greater than 1, the core is generated with `CONFIG_SEL` and `NEW_CONFIG` inputs. The parameters for each configuration are defined in a COE file. The number of parameters defined must exactly match the number of configurations specified.

Architecture

Controls whether look-up table ROMs or logic circuits are used to compute some of the internal results in the core. Which option is best depends on the other core parameters. It is recommended that both options are tried. This parameter has no effect on the core behavior.

Rectangular Block-Specific Parameters

Block Size Type

There are three possibilities:

1. **Constant.** Block size never changes. The block can be pruned (block size < row * col). The block size must be chosen so that the last symbol is on the last row. An unpruned interleaver uses a smaller quantity of FPGA resources than a pruned one, so pruning should be used only if necessary.

[Figure 12](#) provides an example with three rows and four columns. Using the preceding rule, the only legal block sizes are 9, 10, 11 and 12.

This block size type can be used only if the row and column types are also set to constant.

Row and column permutations are not supported for pruned block sizes.

2. **Rows * Columns.** If the number of rows and columns is constant, selecting this option has the same effect as setting the block size type to constant and entering a value of rows * columns for the block size.
If the number of rows or columns is not constant, selecting this option means the core calculates the block size automatically whenever a new row or column value is sampled. Pruning is impossible with this block size type.
3. **Variable.** Block size is sampled from the `BLOCK_SIZE` input at the beginning of every block. The value sampled on `BLOCK_SIZE` must be such that the last symbol falls on the last row, as previously described.
If the block size is already available external to the core, selecting this option is usually more efficient than selecting "rows * columns" for the block size type.

Row and column permutations are not supported for the variable block size type.

0	1	2	3
4	5	6	7
8	9	X	X

Block Size = 10 - Legal

0	1	2	3
4	5	6	X
X	X	X	X

Block Size = 7 - Illegal

Figure 12: Legal and Illegal Block Sizes

Block Size Constant Value

This parameter is relevant only if constant block size type is selected. It must meet the constraints described in the [Block Size Type](#) section.

BLOCK_SIZE Port Width

This parameter is relevant only if variable block size type is selected. It sets the width of the BLOCK_SIZE input bus. The smallest possible value should be used to keep the core as small as possible.

Column Type

There are three possibilities:

1. **Constant.** The number of columns is always equal to the Column Constant Value parameter.
2. **Variable.** The number of columns is sampled from the COL input at the start of each new block. Column permutations are not supported for the variable column type.
3. **Selectable.** COL_SEL is sampled at the start of each new block. This value is then used to select from one of the possible values for number of columns provided in the COE file.

Column Constant Value

This parameter is relevant only if constant column type is selected. The number of columns is fixed at this value.

COL Port Width

This parameter is relevant only if variable column type is selected. It sets the width of the COL input bus. The smallest possible value should be used to keep the core as small as possible.

Minimum Number of Columns

This parameter is relevant only if variable column type is selected. In this case, the core has to cope potentially with a wide range of possible values for the number of columns. If the smallest value that will actually occur is known, then the amount of logic in the core can sometimes be reduced. The largest possible value should be used for this parameter to keep the core as small as possible.

Number of Selectable Columns

If the selectable column type has been chosen, this parameter defines how many valid selection values have been defined in the COE file. Only add select values you need.

Use Column Permute File

This tells the CORE Generator software that a column permute vector exists in the COE file and column permutations are to be performed. Remember this is only possible for unpruned interleaver/de-interleavers.

Row Type

There are three possibilities:

1. **Constant.** The number of rows is always equal to the Row Constant Value parameter.
2. **Variable.** The number of rows is sampled from the ROW input at the start of each new block. Row permutations are not supported for the variable row type.
3. **Selectable.** ROW_SEL is sampled at the start of each new block. This value is then used to select from one of the possible values for number of rows provided in the COE file.

Row Constant Value

This parameter is relevant only if constant row type is selected. The number of rows is fixed at this value.

ROW Port Width

This parameter is relevant only if variable row type is selected. It sets the width of the ROW input bus. The smallest possible value should be used to keep the core as small as possible.

Number of Selectable Rows

If the selectable row type has been chosen, this parameter defines how many valid selection values have been defined in the COE file. Only add select values you need.

Minimum Number of Rows

This parameter is relevant only if variable row type is selected. In this case the core has to potentially cope with a wide range of possible values for the number of rows. If the smallest value that will actually occur is known, then the amount of logic in the core can sometimes be reduced. The largest possible value should be used for this parameter to keep the core as small as possible.

Use Row Permute File

This tells the CORE Generator software that a row permute vector exists in the COE file, and row permutations are to be performed. Remember this is possible only for unpruned interleaver/de-interleavers.

Parameter Ranges

Valid ranges for the parameters are provided in [Table 3](#).

Table 3: Parameter Ranges

Parameter	Min	Max	Notes
Symbol Width	1	256	-
Forney Convolutional:			
Number of Configurations	1	256	
Number of Branches	2	256	1
Branch Length Constant	1	See notes	1,2
Branch Lengths	1	See notes	1
Rectangular Block:			
Block Size Constant	6	65025	1,3
Block Size Width	3	16	1
Column Constant	2	255	1,4
Column Width	2	8	1
Minimum Number of Columns	2	255	1,4
Number of Selectable Columns	2	32	-
Row Constant	1	255	1,4
Row Width	1	8	1
Minimum Number of Rows	1	255	1,4
Number of Selectable Rows	2	32	-

Notes:

1. This parameter is limited such that the maximum depth of individual memories within the core do not exceed certain limits. The GUI detects if these limits have been exceeded. This can mean the maximum value allowed by the GUI appears to be less than the absolute maximum value given in [Table 3](#). In reality, these parameters are limited by the maximum size of device available.
2. The branch length constant is the value entered as the constant difference between consecutive branches. The GUI displays the range of legal values, based on the restrictions mentioned in Note 1.
3. Block Size Constant must be within the following range: $(R-1) * C < \text{Block Size Constant} \leq R * C$, where R = number of rows and C = number of columns. If there is only a single row, then Block Size Constant must equal the number of columns.
4. The resulting block size must be within the absolute limits for Block Size Constant given in this table.

COE File Format

In certain cases, some parameter values are passed to the CORE Generator software via a COE (COEfficient) file. This is an ASCII text file with a single radix header followed by a number of vectors. The radix can be 2, 10, or 16. Each vector must be terminated by a semi-colon.

The GUI reads the COE file and writes out one or more MIF files when the core is generated. The VHDL and Verilog behavioral simulation models for the core rely on these MIF files. For correct operation when using MIF files, they must be copied to the directory in which the simulation is to be run.

The vectors used in the COE file differ depending on whether the core is a Forney Convolutional or Rectangular Block type.

Forney Convolutional Type

If the branch lengths are defined in a file, then it must be a correctly formatted COE file. The length of all the branches is defined in a comma-separated list in a `branch_length_vector`.

Figure 13 shows an example COE file for a Forney Convolution interleaver with eight branches. Note that the number of branches must also be set to 8 in the GUI.

```
radix=10;
branch_length_vector=
3,
10,
20,
40,
80,
160,
320,
640;
```

Figure 13: Example Convolutional COE File

The branch length values can also be placed on a single line as shown in Figure 14.

```
radix=10;
branch_length_vector=3,10,20,40,80,160,320,640;
```

Figure 14: Example Convolutional COE File Values on a Single Line

COE Files for Multiple Configurations

The COE file is used to specify the branch length constant and number of branches for each configuration.

Figure 15 shows a COE file for an example with 16 configurations. If `CONFIG_SEL = 0` then the interleaver has 128 branches and a branch length constant of 1. If `CONFIG_SEL = 3` then the interleaver has 64 branches and a branch length constant of 2.

```
radix=10;
number_of_branches_vector=
128,128,128,64,128,32,128,16,128,
8,128,128,128,128,128,128;
branch_length_constant_vector=
1,1,2,2,3,4,4,8,5,16,6,1,7,1,8,1;
```

Figure 15: ITU J.83 Annex B COE File

The number of elements in the `number_of_branches_vector` and the `branch_length_constant_vector` must equal the number of configurations.

If the number of configurations is not a power of two, then out-of-range values on the `CONFIG_SEL` input results in the core selecting configuration 0.

It is possible to define the individual branch length for every branch in each configuration. If this option is selected, then the `branch_length_constant_vector` must be replaced with a `branch_length_vector`. The number of elements in this vector must be the exact sum of all the elements of the `number_of_branches_vector`. An example is shown in Figure 16. In this example, if `CONFIG_SEL = 0`, then an interleaver with branches of lengths 1, 2, 3, and 4 is selected.

If `CONFIG_SEL = 1`, an interleaver with branches of 4, 3, 2, and 1 is selected. This is one way of having a single core switch between interleaving and de-interleaving. If `CONFIG_SEL = 2`, an interleaver with branches of 1, 4 and 5 is selected.

```
radix=10;
number_of_branches_vector=
4,4,3;
branch_length_vector=
1,2,3,4,4,3,2,1,1,4,5;
```

Figure 16: Multiple Configuration COE File Defining Each Individual Branch Length

Rectangular Block Type

If row or column permutations are to be used, then the row and/or column permutation vectors are passed to the CORE generator software using a COE file. Figure 17 shows an example COE file for the permutations used in Figure 6.

```
radix=10;
row_permute_vector=
2,0,1;
col_permute_vector=
3,1,0,2;
```

Figure 17: Example Rectangular COE File

If the row or column type is “selectable,” the row and/or column select vectors are also passed in via the COE file. These tell the core how to map the value sampled on the `ROW_SEL` and `COL_SEL` inputs to a particular number of rows or columns. If row or column permutations are to be used in conjunction with selectable rows or columns, then it is possible to have a different permute vector for every row and column select value. For example, in Figure 18 there are three selectable row values. If `ROW_SEL = '00'` the interleaver has three rows. `'01'` gives four rows and `'10'` gives five rows. `'11'` is an illegal `ROW_SEL` input because a fourth value is not defined in the `row_select_vector`. Also, if `ROW_SEL='00'` the row permute vector is [2, 0, 1]. If `ROW_SEL='01'` the vector is [3, 2, 0, 1], and if `ROW_SEL='10'` the vector is [0, 1, 2, 3, 4] (that is, no row permutations). The `col_select_vector` and `col_permute_vector` work in the same way.

The supplied COE file must be compatible with the other parameters entered in the GUI, such as number of selectable rows.

```
radix=10;
row_select_vector=
3,4,5;
col_select_vector=
4,6,5;
row_permute_vector=
2,0,1,
3,2,0,1,
0,1,2,3,4;
col_permute_vector=
3,1,0,2,
3,1,0,2,4,5,
2,1,3,0,4;
```

Figure 18: Example Rectangular COE File with Selectable Rows and Columns

Timing, Latency and FDO Delay

The precise definitions of latency and FDO Delay differ for the different types of interleaver /de-interleaver. Each is described separately.

Forney Convolutional Timing

The latency is the number of clock cycles from a new symbol being sampled on DIN, to a new symbol appearing on DOUT. Note that these are generally not the same symbol, as they have been interleaved or de-interleaved.

The latency is dependent on the pipelining level selected as shown in Table 4.

Table 4: Forney Convolutional Latency

Pipelining	Latency ⁽¹⁾
Minimum	3
Medium	4
Maximum	5

Note:

1. Add one clock cycle to these figures if external symbol RAM is used.

The FDO delay is the delay from the first symbol being sampled with an FD pulse to that symbol being output on DOUT. The FDO delay is comprised of two parts: a number of valid ND pulses, including the FD pulse, and the latency. The GUI reports the FDO delay as the number of new symbols that must be sampled, including the FD pulse, plus *latency* clock cycles. This is when FDO is actually asserted, assuming CE is high all the time. The number of new symbols that must be sampled is dependent on the number of branches and the length of branch 0.

An example, with a latency of four clock cycles, is shown in Figure 19. In this example, the input symbols Di2 and Di7 are ignored because ND is low. When Di0 is sampled, a new symbol, Do0, appears on DOUT after four clock cycles. Di0 finally appears on DOUT when FDO goes high. Therefore, Do4 = Di0. Do5 is not the same as Di1 because the input symbols have been interleaved. Do1 and Do5 are held for two clock cycles because Di2 and Di7 are not sampled due to ND.

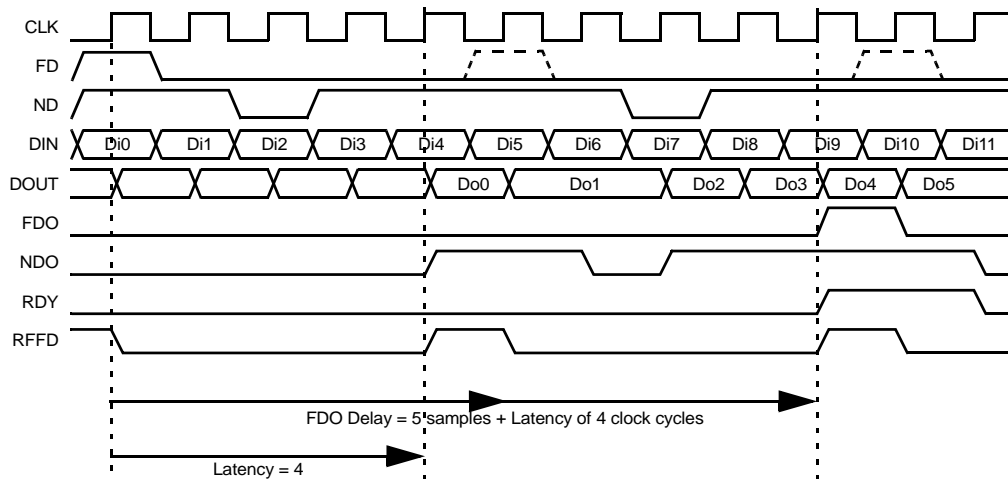


Figure 19: Forney Convolutional Interleaver Interface Timing

The FDO delay is reported as five samples (Di0 to Di5, Di2 not included) plus the four clock cycle latency. Note that ND being low does affect the count of the number of samples, but it does not affect the latency.

This is the first FD pulse after a reset, so RDY stays low until FDO is asserted. NDO is just a delayed version of ND.

In this example, there are four branches. RFFD goes low after the first sample is taken and goes high after the fourth sample is taken. This indicates that the commutator arms are connected to branch 0 again. See Figure 3. It is now safe to reassert FD, although this is not necessary. RFFD goes low again as soon as another sample is taken and remains low until the commutator arms are back at branch 0.

Multiple Configuration Timing

Figure 20 shows the timing when the configuration is swapped using CONFIG_SEL. In this example, the core switches from configuration 0 to configuration 1 at time t_1 . RFFD was high when FD was asserted, so the core continues to output configuration 0 data for Latency clock cycles, as defined previously. After this number of clock cycles, DOUT is unknown until the first configuration 1 symbol appears on DOUT. This is at time t_2 . After this point only configuration 1 data can be output, as the interleaver configuration has now been switched. The “XX” in the figure indicates that DOUT is undefined between valid configuration 1 output symbols. It actually outputs some residual value left over from a previous configuration interleaver.

Maximum pipelining was used in this example, so the core continues to output configuration 0 symbols for five clock cycles after the FD pulse. In the interleaver case, this exactly matches the number of cycles to the FDO for the first configuration 1 symbol. For a de-interleaver this is not true, as the delay to FDO is generally more than five clock cycles.

If RFFD had been low when FD was asserted, an abort would have occurred in the same way as for a single configuration case, and no more configuration 0 data would be output after the FD pulse.

The timing of RFFD reflects the new configuration immediately after the FD pulse. Configuration 0 has three branches in this example, so RFFD pulses every three samples. Configuration 1 has five branches, so RFFD begins pulsing every five samples after the FD pulse.

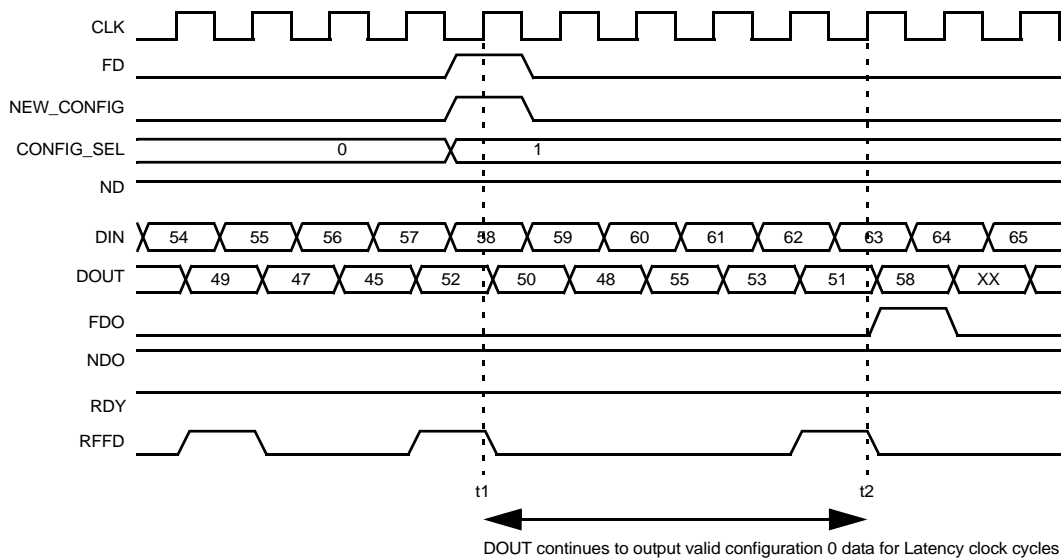


Figure 20: Configuration Swapping Timing

Rectangular Block Timing

The latency is the number of clock cycles from the last symbol in a block being sampled on DIN to the first symbol from that block appearing on DOUT.

The latency is dependent on the block size type, row and column types and whether there are any permutations. All the possible values are shown in [Table 5](#).

Table 5: Rectangular Block Latency

Block Size Type	Column Type	Row Type	Row or Column Permutations	Latency (Clock Cycles)
Constant	-	-	No	4
Constant	-	-	Yes	6
Row * Column	-	-	No	4
Row * Column	-	-	Yes	6
Variable	Constant	Constant	N/A	6
Variable	Not Constant	-	N/A	9
Variable	-	Not Constant	N/A	9

The FDO delay, or BLOCK_START delay, is the delay from the first symbol of a block being sampled with an FD pulse to the first symbol of the same block being output on DOUT. Note that this can be a different symbol to the one sampled when FD was asserted due to the interleaving process. The BLOCK_START delay is composed of two parts: a number of valid ND pulses, including the FD pulse, and the latency. The GUI reports the BLOCK_START delay as the number of new symbols that must be sampled, including the FD pulse, plus a number of clock cycles. This is when BLOCK_START is actually asserted, assuming CE is high all the time. The number of new symbols that must be sampled is equal to the block size.

An example is shown in [Figure 21](#). In this example, the block size is variable and the number of rows and columns is constant. There are two rows and four columns. There are no permutations. Using [Table 5](#), the latency is six clock cycles.

The block size is resampled at the start of each new block. FD is sampled high at time t_1 , signaling the start of a new block. The block size is sampled as '7' at this time. If the core had ROW, COL, ROW_SEL or COL_SEL inputs, they would also be sampled at time t_1 .

Using [Table 2](#), we see that the delay to the *_VALID outputs changing is $6 - 2 = 4$ clock cycles. BLOCK_SIZE_VALID changes four clock cycles after FD is asserted. Note that the latency is always six clock cycles and the Valid Delay is always four clock cycles, regardless of the block size.

RFFD goes low immediately after FD is sampled, signaling that it is no longer safe to assert FD. If FD is asserted high again before RFFD goes high, a new block is started and the current block is aborted.

The seven input symbols are sampled. '3' is ignored because ND is low. '7' is the seventh and final symbol in the block. As soon as this has been sampled (at time t_3), RFD goes low to signal that the core cannot accept any more data on DIN. ND and DIN are now ignored until RFD goes high again. This is seven clock cycles, for a block length of 7. The number of clock cycles from the last symbol being sampled to RFD going high again is always equal to the block length. ND has no effect on this because it is being ignored.

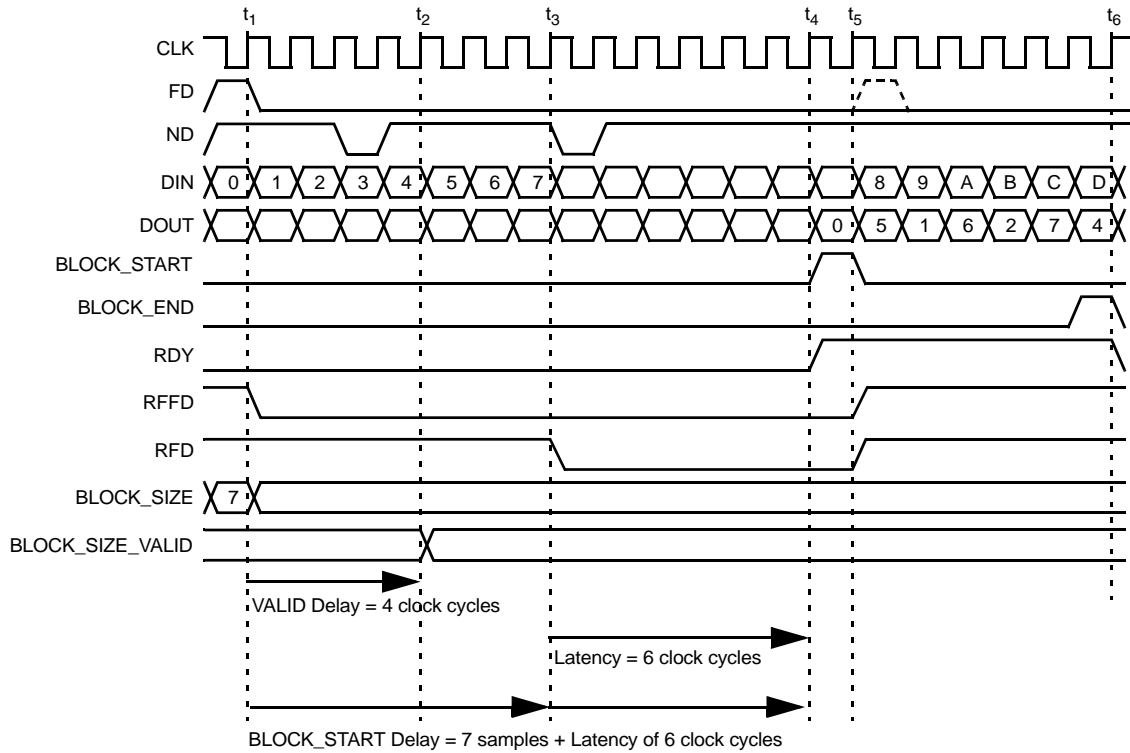


Figure 21: Rectangular Block Interleaver Interface Timing

RFFD is reasserted at the same time as RFD (time t_5) to signal that a new block can be safely started. Notice how it is possible to start a new block even though the data from the previous block has still to appear on DOUT. The dashed FD pulse in Figure 21 indicates the earliest time at which FD could be safely reasserted without aborting the current block.

If an invalid block size is sampled, RFD and RFFD are forced high one clock cycle after BLOCK_SIZE_VALID (or any of the other *_VALID) outputs goes low.

The BLOCK_START Delay is reported as 7 samples ('0', '1', '2', '4', '5', '6' and '7') plus the six clock cycle latency. Note that ND being low does affect the count of the number of samples, but it does not affect the latency.

The output symbols are always output consecutively on DOUT, even if there were gaps between some of the input symbols. In the example, there was a one clock cycle gap between '2' and '4' because ND was deasserted, but this has no effect on the rate at which data is output on DOUT.

RDY is always high when the data on DOUT corresponds to data that was sampled as part of a block on DIN. RDY goes high at time t_4 to signal the first interleaved symbol of the block is on DOUT. It goes low again at time t_6 , as all the symbols for this block have now been output.

External Symbol Memory

The core can use internal or external memory to store the data symbols. External memory might be necessary if there is insufficient block RAM left in the FPGA to implement a large interleaver.

The Convolutional Interleaver requires a dual-port RAM, with separate addresses for read and write ports. The Rectangular Block interleaver requires only a single-port RAM.

The connections for a Convolutional Interleaver example are shown in Figure 22. It is assumed the dual-port RAM behaves in the same way as a standard Xilinx block RAM. The ports shown are the standard Xilinx block RAM ports. The ENA/ENB ports act as clock enables for operations on the A and B ports respectively. In this case the A port is used for write operations and the B port for read operations.

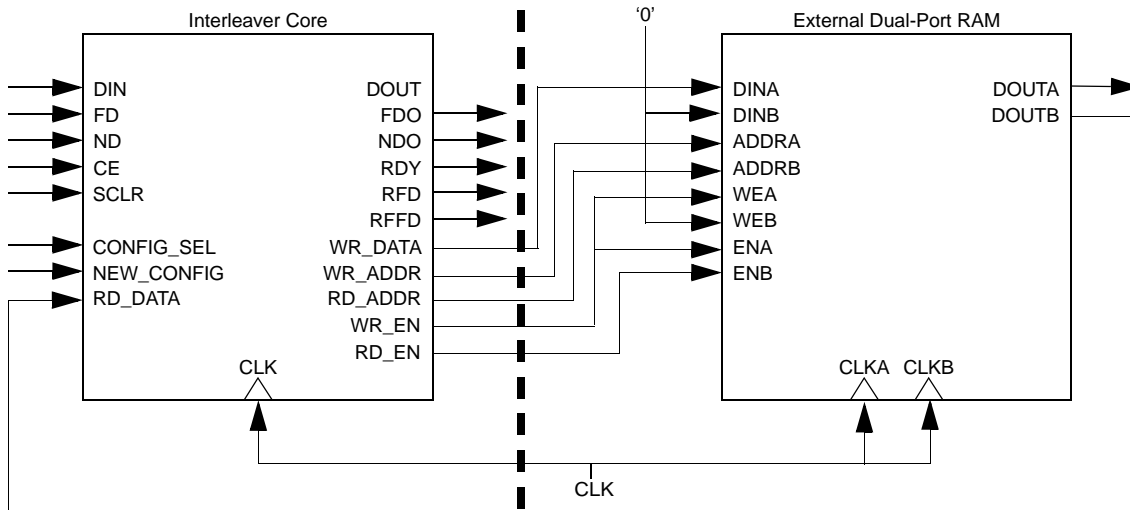


Figure 22: Connections to External Symbol RAM for Convolutional Interleaver

The connections for a Rectangular Block Interleaver are shown in Figure 23. This is similar to the dual-port case; however the Rectangular Block Interleaver does not perform simultaneous reads and writes so only a single port is required. The EN input acts as a clock enable for all operations. If the core has a CE input, then the RAM should be enabled with the same signal to prevent DOUT changing when CE is low. The CE could also be sourced from inside the FPGA.

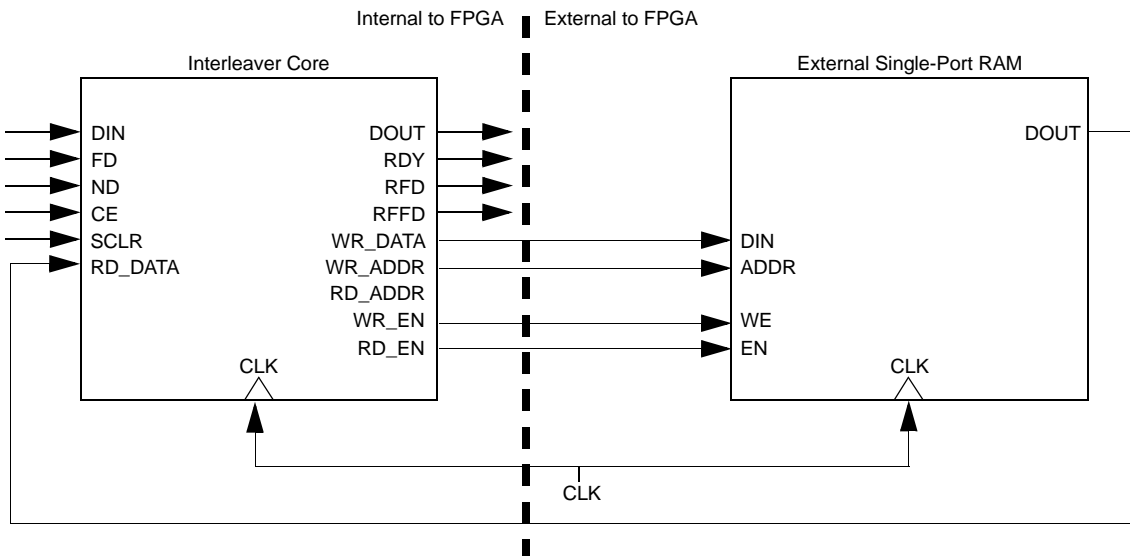


Figure 23: Connections to External Symbol RAM for Rectangular Interleaver

All the outputs for the external RAM are registered in the core. To achieve predictable timing when accessing the external RAM, these registers should be mapped into IOBs using the appropriate mapper options. It is possible to

insert additional registers on the outputs if required. The same number of registers must be added to every external RAM output. This simply increases the latency of the interleaver by the number of additional registers inserted.

The CORE Generator software automatically determines the required address bus width. This value is also displayed on the final page of the core GUI.

The timing for accessing the external symbol RAM is identical to the timing for accessing a synchronous dual-port block RAM inside the FPGA.

Figure 24 shows the timing of the dual-port external RAM interface for a Convolutional Interleaver example. The interleaving begins at t_1 . The value on DIN at t_2 is ignored, as ND is low. The first write to external memory occurs at t_3 , when 1 is written to address 0. The delay from the FD pulse to the first write is (Latency - 1) clock cycles. Latency = 6 in Figure 24. The first read occurs at t_4 , when address 0 is read. This causes the first real symbol to appear on RD_DATA and FDO goes high. Note that RD_DATA is passed straight through to DOUT.

No write occurs at t_5 because ND was low at t_2 . WR_DATA still changes, but the value of 3 is not written because WR_EN is low. Similarly RD_EN is low at t_6 , so no read occurs at that time and DOUT remains unchanged.

DOUT is shown as "XX" after t_5 because this is a residual value left over from the previous interleave operation. It is the contents of RAM address 2 after t_5 and address 4 after t_7 .

The timing diagram does not show realistic clock-to-output delays, as this is a function of where the final output registers are placed in the FPGA (preferably in the IOBs) and the PCB layout.

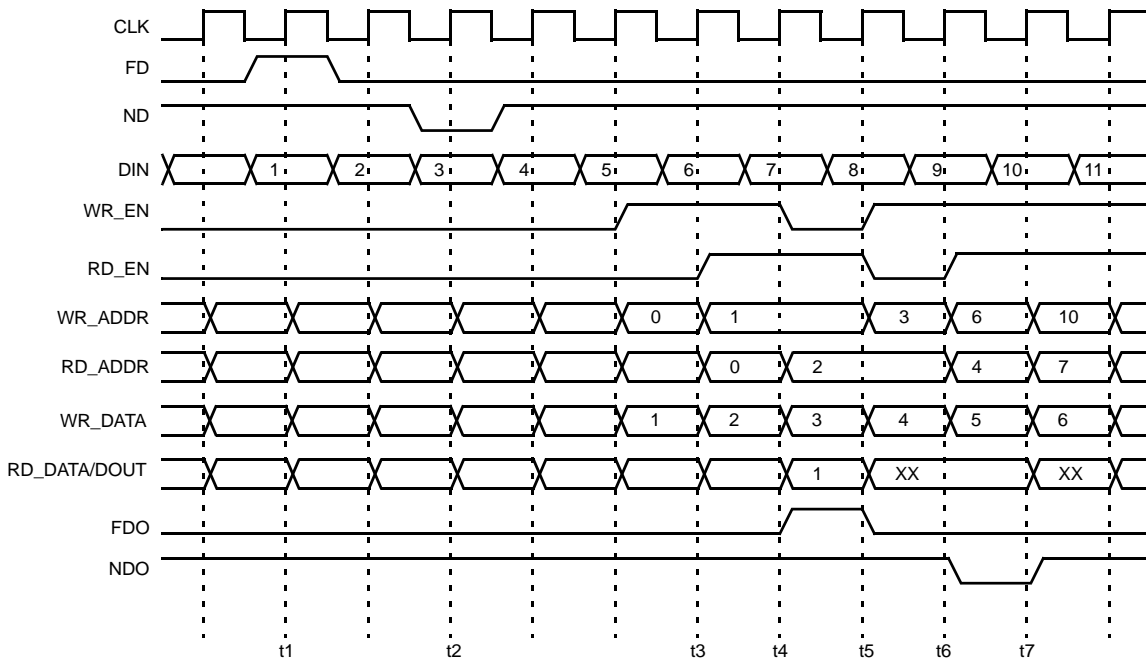


Figure 24: External RAM Interface Timing

Core Resource Utilization

The area of the Forney Convolutional Interleaver increases with the number of branches, the length of the branches and the symbol width. Some example configurations are shown in [Table 6](#).

The area of the Rectangular Block interleaver increases with the block size and if row, column or block size are selectable or variable. Adding optional pins such as RFD also increases the size. Some example configurations are shown in [Table 7](#).

The slice counts can be reduced slightly by selecting the option to map primary I/O registers into IOBs during placement. This option should certainly be selected if the core I/Os are to be connected directly onto a PCB via the FPGA package pins. This gives lower output clock-to-out times and predictable set-up and hold times.

The map options used were: `map -pr b -ol high`

The par options used were: `par -ol high`

Performance Characteristics

It is important to set a maximum period constraint on the core clock input. The figures in [Table 6](#) and [Table 7](#) show clock speeds that can be achieved when this is done. It may be possible to improve slightly on these values by trying different seed values for the place-and-route software. If necessary, performance can be increased by selecting a part with a faster speed grade.

For performance characterization, the examples used a wrapper, external to the core, which adds an extra register on every synchronous input and output.

Table 6: Example Forney Convolutional Implementations

Parameter	DVB-T Tx	DVB-T Rx	ITU J.83 Annex B
Mode	Interleaver	De-interleaver	Interleaver
Number of Configurations	1	1	16
Number of Branches	12	12	Configurable(8 to 128)
Branch Length Constant	17	17	Configurable(1 to 16)
Symbol Width	8	8	7
Pipelining	Maximum	Maximum	Maximum
Optional Pins	FDO, RDY, RFFD,	FDO, RDY, RFFD	RDY, RFFD
Internal/External Symbol RAM	Internal	Internal	External
Memory Style	Automatic	Automatic	Automatic
Spartan-6 XC6SLX75			
<i>Test cases used an xc6slx75-fgg484 (with -2 and -3 speed grade) device and ISE speed file version ADVANCED 1.04g 2010-02-17.</i>			
Area (LUT/FF pairs) ⁽¹⁾	217	197	194
Block RAMs 16K/8K ⁽³⁾	1/0	1/0	4/2
Maximum Clock Frequency (speed grades -2 and -3) ⁽¹⁾⁽²⁾	205/251 MHz	213/250 MHz	124/157 MHz
Virtex-6 XC6VLX75T			
<i>Test cases used an xc6vlx75t-ff484 (with -1 and -3 speed grade) device and ISE speed file version ADVANCED 1.05c 2010-02-17.</i>			
Area (LUT/FF pairs) ⁽¹⁾	144	152	201
Block RAMs 36K/18K ⁽³⁾	0/1	0/1	2/2
Maximum Clock Frequency (speed grades -1 and -3) ⁽¹⁾⁽²⁾	331/434 MHz	328/434 MHz	191/241 MHz
Virtex-5 XC5VSX95T			
<i>Test cases used an xc5vsx95t-ff1136 (with -1 and -2 speed grades) device and ISE speed file version PRODUCTION 1.67 2010-02-17, STEPPING.</i>			
Area (LUT/FF pairs) ⁽¹⁾	181	204	231
Block RAMs 36K/18K ⁽³⁾	0/1	0/1	2/2
Maximum Clock Frequency (speed grades -1 and -2) ⁽¹⁾⁽²⁾	270/322 MHz	273/324 MHz	185/210 MHz

Notes:

1. Area and maximum clock frequencies are provided as a guide. They can vary with new releases of the Xilinx implementation tools, etc.
2. Clock frequency does not take clock jitter into account and should be derated by an amount appropriate to the clock source jitter specification.
3. This is the total number of block RAMs used when map was run. In reality two 18k block RAM primitives can usually be packed together, giving an absolute minimum total block RAM usage of block RAMs (36k) + (block RAMs (18k)/2) (rounded up).

Table 7: Example Rectangular Block Implementations

Parameter	3GPP2 – F-SPDCCH	3GPP2 – F-SPDCCH
Mode	Interleaver	Interleaver
Block Size Type	Rows * Columns	Rows * Columns
Column Type	Selectable	Selectable
Row Type	Constant	Constant
Permutations	Column	Column
Symbol Width	1	1
Pipelining	Maximum	Maximum
Optional Pins	None	CE, ND, SCLR, RDY, RFD, RFFD
Memory Style	Automatic	Automatic
Spartan-6 XC6SLX75		
<i>Test cases used an xc6slx75-fgg484 (with -2 and -3 speed grade) device and ISE speed file version ADVANCED 1.04g 2010-02-17.</i>		
Area (LUT/FF pairs) ⁽¹⁾	58	93
Block RAMs 36K/18K ⁽³⁾	0/1	0/1
Maximum Clock Frequency (speed grades -2 and -3) ⁽¹⁾⁽²⁾	227/251 MHz	223/251 MHz
Virtex-6 XC6VLX75T		
<i>Test cases used an xc6vlx75t-ff484 (with -1 and -3 speed grade) device and ISE speed file version ADVANCED 1.05c 2010-02-17.</i>		
Area (LUT/FF pairs) ⁽¹⁾	60	98
Block RAMs 36K/18K ⁽³⁾	0/1	0/1
Maximum Clock Frequency (speed grades -1 and -3) ⁽¹⁾⁽²⁾	343/444 MHz	345/442 MHz
Virtex-5 XC5VSX95T		
<i>Test cases used an xc5vsx95t-ff1136 (with -1 and -2 speed grades) device and ISE speed file version PRODUCTION 1.67 2010-02-17, STEPPING.</i>		
Area (LUT/FF pairs) ⁽¹⁾	74	108
Block RAMs 36K/18K ⁽³⁾	0/1	0/1
Maximum Clock Frequency (speed grades -1 and -2) ⁽¹⁾⁽²⁾	336/390 MHz	339/390 MHz

Notes:

1. Area and maximum clock frequencies are provided as a guide. They can vary with new releases of the Xilinx implementation tools, etc.
2. Clock frequency does not take clock jitter into account and should be derated by an amount appropriate to the clock source jitter specification.
3. This is the total number of block RAMs used when map was run. In reality two 18k block RAM primitives can usually be packed together, giving an absolute minimum total block RAM usage of block RAMs (36k) + (block RAMs (18k)/2) (rounded up).

Parameter Values in the XCO File

Table 8 defines valid entries for the XCO parameters. Parameters are not case sensitive. Default values are displayed in bold.

Xilinx strongly suggests that XCO parameters not be manually edited in the XCO file; instead, use the CORE Generator GUI to configure the core and perform range and parameter value checking.

Table 8: Parameter File Information

XCO Parameter	Valid Values
architecture	rom_based , logic_based
block_end	true, false
block_size_constant_value	Integer in the range defined in Table 3 (default value is 15)
block_size_port_width	Integer in the range defined in Table 3 (default value is 4)
block_size_type	constant, rows_columns , variable
block_size_valid	true, false
block_start	true, false
branch_length_constant	Integer in the range defined in Table 3 (default value is 1)
branch_length_type	constant_difference_between_consecutive_branches use_coe_file_to_define_branch_lengths coe_file_defines_branch_length_constant_for_each_configuration coe_file_defines_individual_branch_lengths_for_every_branch_in_each_configuration
ce	true, false
coefficient_file	Path of coe file if coe file required (default is blank)
column_permutations	none , use_coe_file_to_define_column_permutations
col_port_width	Integer in the range defined in Table 3 (default value is 4)
col_sel_valid	true, false
col_valid	true, false
component_name	ASCII text starting with a letter and based upon the following character set: a..z, 0..9 and _ (default is blank)
fdo	true, false
memory_style	automatic , distributed, block
minimum_columns	Integer in the range defined in Table 3 (default value is 15)
minimum_rows	Integer in the range defined in Table 3 (default value is 15)
mode	interleaver , deinterleaver
nd	true , false
ndo	true, false
number_of_branches	Integer in the range defined in Table 3 (default value is 16)
number_of_columns	constant , selectable, variable
number_of_columns_constant_value	Integer in the range defined in Table 3 (default value is 15)
number_of_columns_selectable_value	Integer in the range defined in Table 3 (default value is 4)
number_of_configurations	Integer in the range defined in Table 3 (default values is 1)
number_of_rows	constant , selectable, variable

Table 8: Parameter File Information (Cont'd)

XCO Parameter	Valid Values
number_of_rows_constant_value	Integer in the range defined in Table 3 (default value is 15)
number_of_rows_selectable_value	Integer in the range defined in Table 3 (default value is 4)
pipelining	minimum, maximum , medium
rdy	true, false
rfd	true, false
rffd	true, false
row_permutations	none , use_coe_file_to_define_row_permutations
row_port_width	Integer in the range defined in Table 3 (default value is 4)
row_sel_valid	true, false
row_valid	true, false
sclr	true, false
symbol_memory	internal , external
symbol_width	Integer in the range defined in Table 3 (default value is 1)
type	forney , rectangular

Simulation Models

The core has a number of options for simulation models:

- VHDL behavioral model in the xilinxcorelib library
- VHDL UniSim-based structural simulation model
- Verilog UniSim-based structural simulation model

The models required may be selected in the CORE Generator project options.

Xilinx recommends that simulations utilizing UniSim-based structural models be run using a resolution of 1 ps. Some Xilinx library components require a 1 ps resolution to work properly in either functional or timing simulation. The UniSim-based structural simulation models may produce incorrect results if simulated with a resolution other than 1 ps. See the “Register Transfer Level (RTL) Simulation Using Xilinx Libraries” section in Chapter 6 of the *Synthesis and Simulation Design Guide* for more information. This document is part of the ISE® Software Manuals set available at www.xilinx.com/support/documentation/dt_ise.htm.

Support

Xilinx provides technical support at www.xilinx.com/support for this LogiCORE product when used as described in the product documentation. Xilinx cannot guarantee timing, functionality, or support of product if implemented in devices that are not defined in the documentation, if customized beyond that allowed in the product documentation, or if changes are made to any section of the design labeled *DO NOT MODIFY*.

Refer to the IP Release Notes Guide (XTP025) for further information on this core. On the first page there is a link to “All DSP IP.” The relevant core can then be selected from the displayed list.

For each core, there is a master Answer Record that contains the Release Notes and Known Issues list for the core being used. The following information is listed for each version of the core:

- New Features
- Bug Fixes
- Known Issues

Ordering Information

This Xilinx LogiCORE IP product is provided under the terms of the [SignOnce IP Site License](#).

To evaluate this core in hardware, generate an evaluation license, which can be accessed from the Xilinx [IP Evaluation](#) page.

After purchasing the core, you will receive instructions for registering and generating a full core license. The full license can be requested and installed from the Xilinx [IP Center](#) for use with the Xilinx CORE Generator software v13.1. The CORE Generator software is bundled with the ISE® Design Suite software v13.1 at no additional charge.

Contact your local Xilinx [sales representative](#) for pricing and availability on Xilinx LogiCORE products and software.

Revision History

The following table shows the revision history for this document.

Date	Version	Revision
03/28/03	1.0	Revision History added to document
12/11/03	2.0	Updated to v3.1 standards.
03/09/04	3.0	Updated to v4.0 standards.
04/28/05	4.0	Updated to support Spartan-3E and Xilinx tools v7.1i.
09/28/06	5.0	Updated to version 5.0 standards and Xilinx tools v8.2i.
03/24/08	5.1	Updated to version 5.1 standards and Xilinx tools v10.1.
04/19/10	6.0	Updated to version 6.0 to support Virtex-6 and Spartan-6 and ISE v12.1
03/01/11	6.1	Support added for Virtex-7 and Kintex-7. ISE Design Suite 13.1

Notice of Disclaimer

Xilinx is providing this product documentation, hereinafter "Information," to you "AS IS" with no warranty of any kind, express or implied. Xilinx makes no representation that the Information, or any particular implementation thereof, is free from any claims of infringement. You are responsible for obtaining any rights you may require for any implementation based on the Information. All specifications are subject to change without notice. XILINX EXPRESSLY DISCLAIMS ANY WARRANTY WHATSOEVER WITH RESPECT TO THE ADEQUACY OF THE INFORMATION OR ANY IMPLEMENTATION BASED THEREON, INCLUDING BUT NOT LIMITED TO ANY WARRANTIES OR REPRESENTATIONS THAT THIS IMPLEMENTATION IS FREE FROM CLAIMS OF INFRINGEMENT AND ANY IMPLIED WARRANTIES OF MERCHANTABILITY OR FITNESS FOR A PARTICULAR PURPOSE. Except as stated herein, none of the Information may be copied, reproduced, distributed, republished, downloaded, displayed, posted, or transmitted in any form or by any means including, but not limited to, electronic, mechanical, photocopying, recording, or otherwise, without the prior written consent of Xilinx.