

## Introduction

The LogiCORE™ IP Virtex®-6 FPGA Embedded Tri-Mode Ethernet MAC Wrapper automates the generation of HDL wrapper files for the Embedded Tri-Mode Ethernet MAC (Ethernet MAC) in Virtex-6 LXT, SXT, HXT, and CXT FPGAs using the Xilinx® CORE Generator™ software.

VHDL and Verilog instantiation templates are available in the Libraries Guide for the Virtex-6 FPGA Ethernet MAC primitive; however, due to the complexity and large number of ports, the CORE Generator™ software simplifies integration of the Ethernet MAC by providing HDL examples based on user-selectable configurations.

## Features

- Sets the Ethernet MAC attributes based on user options
- Provides user-configurable Ethernet MAC physical interfaces
  - ◆ Supports RGMII v1.3, RGMII v2.0, SGMII, and 1000BASE-X PCS/PMA interfaces, as well as GMII/MII at 2.5V only
  - ◆ Instantiates clock buffers, MMCMs, GTX serial transceivers, and logic as required for the selected physical interfaces
- Provides a simple FIFO-loopback example design, connected to the MAC client interface
- Provides a simple demonstration test bench based on the selected configuration
- Generates VHDL or Verilog

LogiCORE IP Facts					
Core Specifics					
Supported Device Family <sup>(1)</sup>	Virtex-6 LXT, SXT, HXT, and CXT				
Resources Used	LUTs	FFs	RAMB36s	MMCMs	BUFGs
	300-400 <sup>(2)</sup>	400-620 <sup>(2)</sup>	2-2.5 <sup>(2)</sup>	0-1 <sup>(2)</sup>	1-4 <sup>(2)</sup>
Performance	10 Mbps, 100 Mbps, 1 Gbps, and 2 or 2.5 Gbps when overclocked <sup>(3)</sup>				
Provided with Wrapper					
Documentation	Product Specification Getting Started Guide User Guide				
Design File Formats	HDL Example Design, Demonstration Test Bench, Scripts				
Constraints File	.ucf (user constraints file)				
Example Designs	Example FIFO connected to Client I/F				
Additional Items	Demonstration Test Environment				
Design Tool Requirements					
Xilinx Implementation Tools	ISE® 12.1				
Supported HDL	VHDL or Verilog				
Simulation <sup>(4)</sup>	Mentor Graphics ModelSim 6.5c and above <sup>(5)</sup> Cadence Incisive Enterprise Simulator (IES) v9.2 and above <sup>(5)</sup> Synopsys VCS and VCS MX 2009.12 and above <sup>(5)</sup>				
Synthesis	XST 12.1				
Support					
Provided by Xilinx, Inc.					

1. For the complete list of supported devices, see the 12.1 release notes for this core.
2. The precise number depends on user configuration; see "Device Utilization," page 7.
3. Overclocking is subject to device support; see "Performance," page 9.
4. Requires a Verilog LRM-IEEE 1364-2005 encryption-compliant simulator. For VHDL simulation, a mixed HDL license is required.
5. Scripts provided for listed simulators only. Scripts are not provided for Synopsys VCS when VHDL is selected.

## Ethernet Architecture Overview

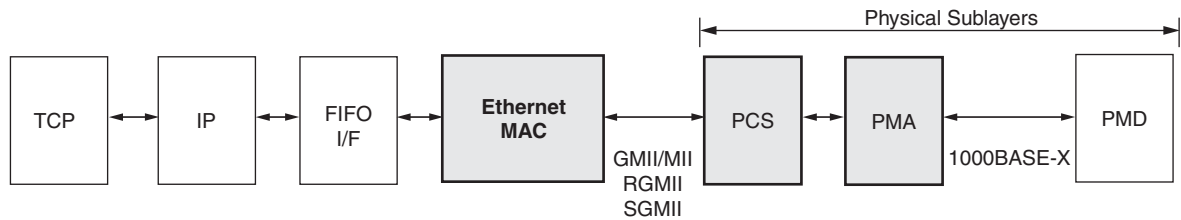


Figure 1: Typical Ethernet Architecture

Figure 1 displays the Ethernet MAC architecture from the MAC to the right, as defined in the *IEEE 802.3* specification, and also illustrates where the supported physical interfaces fit into the architecture.

### MAC

The Ethernet MAC is defined in the *IEEE 802.3* specification clauses 2, 3, and 4. A MAC is responsible for the Ethernet framing protocols and error detection of these frames. The MAC is independent of, and can connect to, any type of physical sublayer.

### GMII/MII

The Media Independent Interface (MII), defined in *IEEE 802.3* clause 22, is a parallel interface that connects a 10-Mbps and/or 100-Mbps capable MAC to the physical sublayers. The Gigabit Media Independent Interface (GMII), defined in *IEEE 802.3* clause 35, is an extension of the MII used to connect a 1-Gbps capable MAC to the physical sublayers. MII can be considered a subset of GMII, and as a result, GMII/MII can carry Ethernet traffic at 10 Mbps, 100 Mbps, and 1 Gbps. GMII/MII is supported at 2.5V only. See the *Virtex-6 FPGA Embedded Tri-Mode Ethernet MAC User Guide* for more information.

### RGMII

The Reduced-GMII (RGMII) is an alternative to GMII/MII. RGMII achieves a 50-percent reduction in the pin count, achieved by the use of double-data-rate (DDR) flip-flops. For this reason, RGMII is preferred over GMII by PCB designers. RGMII can carry Ethernet traffic at 10 Mbps, 100 Mbps, and 1 Gbps.

### SGMII

The Serial-GMII (SGMII) interface is an alternative to GMII/MII. SGMII converts the parallel interface of the GMII/MII into a serial format using a GTX serial transceiver, radically reducing the I/O count. For this reason, it is often the preferred interface of PCB designers. SGMII can carry Ethernet traffic at 10 Mbps, 100 Mbps, and 1 Gbps.

## PCS, PMA, PMD

The combination of the Physical Coding Sublayer (PCS), the Physical Medium Attachment (PMA), and the Physical Medium Dependent (PMD) sublayer comprise the physical layers of the Ethernet protocol.

Two main physical standards are specified for Ethernet:

- BASE-T, a copper standard using twisted pair cabling systems
- BASE-X, usually a fiber optical physical standard using short and long wavelength laser

BASE-T devices, supporting 10 Mbps, 100 Mbps, and 1 Gbps Ethernet speeds, are readily available as off-the-shelf parts. As illustrated in [Figure 1](#) and [Figure 2](#), these can be connected using GMII/MII, RGMII, or SGMII to provide a tri-speed Ethernet port.

The Ethernet MAC has built-in 1000BASE-X PCS/PMA functionality and can be connected to a GTX serial transceiver to provide a 1 Gbps fiber optic port, as illustrated in [Figure 3](#).

## Applications

Typical applications for the Ethernet MAC core include

- "Ethernet Tri-speed BASE-T Port"
- "Ethernet 1000BASE-X Port"

### Ethernet Tri-speed BASE-T Port

[Figure 2](#) illustrates a typical application for an Ethernet MAC. The PHY side of the core is implementing an external GMII/MII by connecting it to IOBs; the external GMII/MII is connected to an off-the-shelf Ethernet PHY device, which performs the BASE-T standard at 1 Gbps, 100 Mbps, and 10 Mbps speeds. Alternatively, the external GMII/MII can be replaced with an RGMII (as shown) or as an SGMII (which requires the use of a GTX serial transceiver). GMII, RGMII, and SGMII functionality are demonstrated in the HDL examples provided with the example design.

The client side of the Ethernet MAC is shown connected to the 10 Mbps, 100 Mbps, 1 Gbps Ethernet FIFO (delivered with the example design) to complete a single Ethernet port. This port is displayed connected to a Switch or Routing matrix, which can contain several ports.

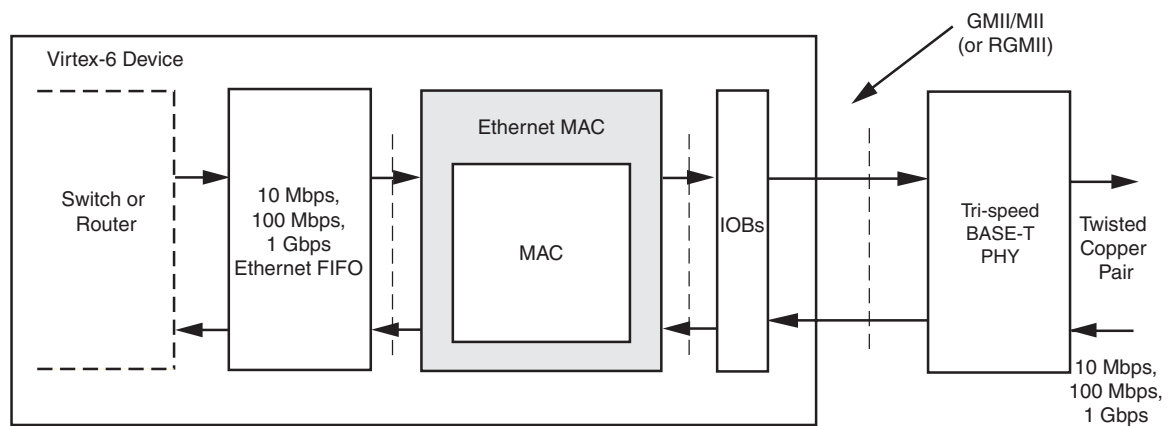


Figure 2: Typical 1000BASE-T Application

## Ethernet 1000BASE-X Port

Figure 3 illustrates a typical application for an Ethernet MAC. The PHY side of the MAC is connected to a GTX serial transceiver, which in turn is connected to an external off-the-shelf GBIC or SFP optical transceiver. The 1000BASE-X PCS/PMA logic can be optionally provided by the Ethernet MAC, as displayed. 1000BASE-X functionality is demonstrated in the HDL examples provided with the example design.

The client side of the Ethernet MAC is shown connected to the 10 Mbps, 100 Mbps, 1 Gbps Ethernet FIFO (delivered with the example design) to complete a single Gigabit Ethernet port. This port is connected to a Switch or Routing matrix, which can contain several ports.

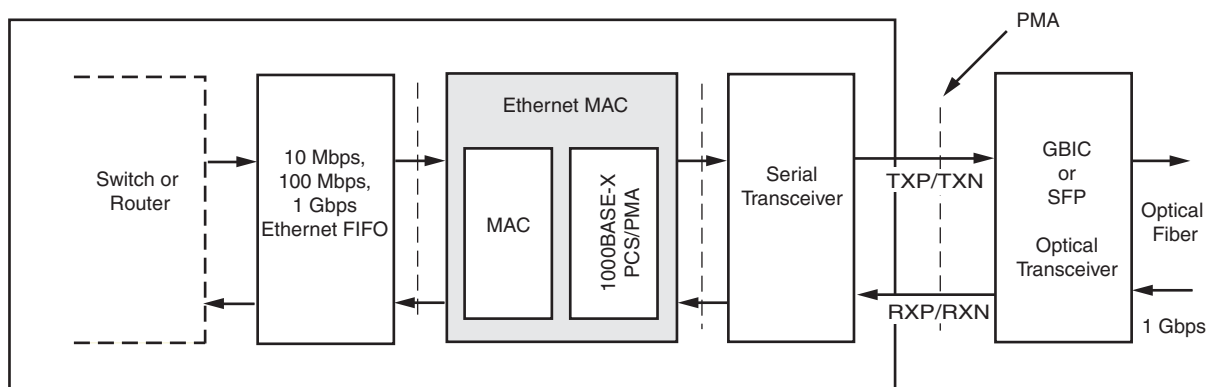


Figure 3: Typical 1000BASE-X Application

## Example Design Overview

Figure 4 illustrates the major functional blocks of the Ethernet MAC example design. All illustrated components are provided in HDL, with the exception of the Ethernet MAC component.

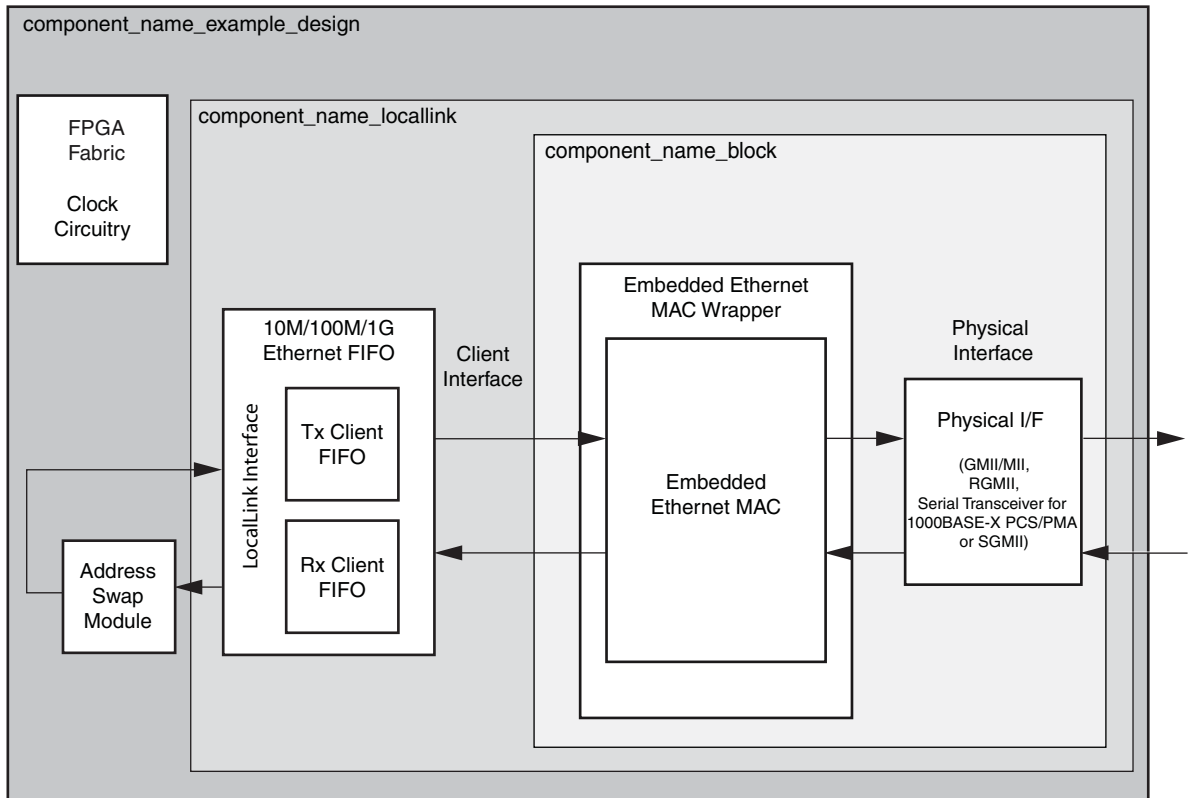


Figure 4: Example Design

## Ethernet MAC Example Design

The example design is arranged for quick adaptation and can be downloaded onto an FPGA to provide a real hardware test environment. In addition, all the clock management logic required to operate the Ethernet MAC and its example design is provided. MMCMs, clock buffers, and so forth are instantiated as required.

The data is looped back at the client interface, enabling the Ethernet MAC to be quickly connected to a protocol tester—frames injected into the Ethernet MAC PHY Receive port are relayed back through the Ethernet MAC and out through the Ethernet MAC PHY Transmit port. Using this method, they are received back at the protocol tester.

The design includes an Address Swapping Module and a FIFO. Frames received by the Ethernet MAC are passed through the Receive side of the FIFO. Data from the Receive side of the FIFO is passed into the Address Swap Module and then on to the Transmit side of the FIFO using a LocalLink interface. The Transmit FIFO queues frames for transmission and connects directly to the client side Transmit interface of the Ethernet MAC.

## Address Swap Module

The Address Swap Module switches the Destination Address and Source Address within the received MAC frame. Using this method, frames received from a link partner, for example a protocol tester, are relayed back to the correct Destination Address.

## 10 Mbps, 100 Mbps, 1 Gbps Ethernet FIFO

The 10 Mbps, 100 Mbps, 1 Gbps Ethernet FIFO is a wrapper file around the Receive and Transmit FIFO components. These components can be used in more complex client applications, as illustrated in [Figure 2](#) and [Figure 3](#). To use the FIFOs, the `component_name_loclink` component can be instantiated in the user design.

### *Receive Client FIFO*

The Receive (Rx) Client FIFO, a 4k-byte FIFO implemented in block RAM, can be used for more complex client applications and can be connected directly to the Rx Client Interface of the Ethernet MAC. The Rx Client provides a LocalLink connection for the user.

- The FIFO operates at all Ethernet speeds supported by the Ethernet MAC.
- The FIFO drops all frames marked as bad from the Ethernet MAC so that only error-free frames are passed to the Ethernet client.

### *Transmit Client FIFO*

The Transmit (Tx) Client FIFO, a 4k-byte FIFO implemented in block RAM, can be used for more complex client applications and can be connected directly to the Tx Client Interface of the Ethernet MAC. The Tx Client FIFO provides a LocalLink connection for the user.

- The FIFO operates at all Ethernet speeds supported by the Ethernet MAC.
- The FIFO is capable of half-duplex re-transmission. For this reason, if a collision occurs on the medium, the Ethernet MAC indicates a collision on the Tx Client interface and the FIFO automatically re-queues the frame for re-transmission.

## Ethernet MAC Wrapper

The Ethernet MAC wrapper file instantiates the full Ethernet MAC primitive.

- All unused input ports on the primitive are tied to the appropriate logic level; all unused output ports are left unconnected.
- The Ethernet MAC attributes are set based on options selected in the CORE Generator tool.
- Only used ports are connected to the ports of the wrapper file.

This simplified wrapper should be used as the instantiation template for the Ethernet MAC in customer designs.

## Physical I/F

An appropriate Physical Interface is provided for the Ethernet MAC. This interface connects the physical interface of the Ethernet MAC block to the I/O of the FPGA. As required, the following components are provided:

- For MII, this component contains Input/Output block (IOB) buffers and IOB flip-flops.
- For GMII, this component contains IOB buffers, IOB flip-flops, an IDELAYCTRL, and IODELAY elements to align the incoming data with the receiver clock.
- For RGMII, this component contains contain IOB buffers, IOB Double-Data Rate flip-flops, an IDELAYCTRL, and IODELAY elements to align the incoming data with the receiver clock. An IODELAY element is also used to delay the transmitted clock in RGMII v2.0.
- For 1000BASE-X PCS/PMA or SGMII, this component instantiates and connects a GTX serial transceiver.

## Device Utilization

The following sections provide approximate device utilization figures for common configurations of the Ethernet MAC and its example design:

- ["1 Gbps Only Operation"](#)
- ["Tri-Speed Operation"](#)
- ["100 Mbps or 10 Mbps Operation"](#)

Of interest is the utilization of clock resources, specifically the global clock usage (BUFGs), which may influence the selection of the interface type. Note that these clock resource figures do not consider any clock that can be used for the host interface.

### 1 Gbps Only Operation

[Table 1](#) defines approximate utilization figures for common configurations of the Ethernet MAC and its example design for 1 Gbps operation. In supported devices, the 1000BASE-X (16-bit client) physical interface can also operate at 2 or 2.5 Gbps without requiring additional resources.

*Table 1: Device Utilization for 1 Gbps Operation*

Parameter Values	Device Resources					
	Physical Interface	LUTs	Registers	RAMB36s	BUFGs	BUFRs
GMII	400	400	2	1 <sup>(1)</sup>	1	0
RGMII 1.3	390	410	2	1 <sup>(1)</sup>	1	0
RGMII 2.0	400	410	2	1 <sup>(1)</sup>	1	0
SGMII	410	420	2	1	1	0
1000BASE-X (8-bit client)	410	420	2	1	1	0
1000BASE-X (16-bit client)	280	470	2	4	1	1

1. These implementations use IODELAY elements, which require a 200MHz reference clock for the associated IDELAYCTRL. The reference clock's BUFG is not accounted for.

## Tri-Speed Operation

Table 2 defines approximate utilization figures for common configurations of the Ethernet MAC and its example design 10 Mbps, 100 Mbps, or 1 Gbps operation.

Table 2: Device Utilization for Tri-Speed Operation

Parameter Values	Device Resources				
Physical Interface	LUTs	Registers	RAMB36s	BUFGs	BUFRs
GMII/MII (Standard Clocking)	360	430	2	4 <sup>(1)</sup>	1
GMII/MII (with Clock Enable)	380	440	2	1 <sup>(1)</sup>	1
RGMII 1.3 (Standard Clocking)	360	440	2	3 <sup>(1)</sup>	1
RGMII 1.3 (with Clock Enable)	380	450	2	1 <sup>(1)</sup>	1
RGMII 2.0 (Standard Clocking)	360	440	2	3 <sup>(1)</sup>	1
RGMII 2.0 (with Clock Enable)	380	450	2	1 <sup>(1)</sup>	1
SGMII	410	620	2.5 <sup>(2)</sup>	2	2

1. These implementations use IODLEAY elements, which require a 200MHz reference clock for the associated IDELAYCTRL. The reference clock's BUFG is not accounted for.
2. Tri-speed SGMII configurations use 2 RAMB36 resources, plus an additional RAMB18 resource to implement the receive elastic buffer.

## 100 Mbps or 10 Mbps Operation

Table 3 provides approximate utilization figures for common configurations of the Ethernet MAC and its example design for 10 Mbps or 100 Mbps operation. For all other interfaces, see "Tri-Speed Operation," page 8.

Table 3: Device Utilization for 10 Mbps, 100 Mbps Operation

Parameter Values	Device Resources			
Physical Interface	LUTs	Registers	RAMB36s	BUFGs
MII (Standard Clocking)	410	410	2	4
MII (with Clock Enable)	430	420	2	2



## Performance

Table 4 specifies the maximum supported performance of the Ethernet MAC in various Virtex-6 devices. For a matrix of supported configurations, see the *Virtex-6 FPGA Embedded Tri-Mode Ethernet MAC User Guide*.

Table 4: Performance Capabilities

Performance	Virtex-6 Family			
	LXT	SXT	HXT	CXT
10 Mbps / 100 Mbps / 1 Gbps	Yes	Yes	Yes	Yes
1000BASE-X overclocking at 2 or 2.5 Gbps	Yes <sup>(1)</sup>	Yes <sup>(1)</sup>	Yes	No

1. Not supported in Lower Power devices (-L speed grades).

## Hardware Verification

The core has been tested on the ML605 Virtex-6 LXT test board. The design comprises the Virtex-6 FPGA Embedded Tri-Mode Ethernet MAC Wrapper, a ping loopback FIFO, and a test pattern generator all under embedded processor control. This design successfully passed IEEE 802.3 conformance testing at UNH IOL.

## Support

Xilinx provides technical support for this LogiCORE IP product when used as described in the product documentation. Xilinx cannot guarantee timing, functionality, or support of product if implemented in devices that are not defined in the documentation, if customized beyond that allowed in the product documentation, or if changes are made to any section of the design labeled *DO NOT MODIFY*.

## Ordering Information

The Ethernet MAC wrapper is provided under the [End User License Agreement](#) and can be generated using CORE Generator software v12.1 and higher. The CORE Generator software is shipped with Xilinx ISE Design Suite Series Development software.

In ISE v11.4 and later, a license key is not required to access the IP. To access the wrapper in ISE v11.4 and older, a no cost full license must be obtained from Xilinx. See the product page [www.xilinx.com/products/ipcenter/V6\\_Embedded\\_TEMAC\\_Wrapper.htm](http://www.xilinx.com/products/ipcenter/V6_Embedded_TEMAC_Wrapper.htm). Please contact your local Xilinx sales representative for pricing and availability of other Xilinx LogiCORE IP modules and software. Information on additional LogiCORE IP modules is available on the Xilinx IP Center.

## Revision History

The following table shows the revision history for this document:

Date	Version	Description of Revisions
6/24/09	1.5	Initial Xilinx release. Updated to core v1.2 and ISE v11.2. Added Virtex-6 CXT support.
9/16/09	2.0	Updated to core v1.3 and ISE v11.3. Added Virtex-6 HXT and Virtex-6 -1L support.
10/15/09	2.0.1	Updated Ordering Information.
4/19/10	3.0	Updated to core v1.4 and ISE v12.1.

## Notice of Disclaimer

Xilinx is providing this product documentation, hereinafter "Information," to you "AS IS" with no warranty of any kind, express or implied. Xilinx makes no representation that the Information, or any particular implementation thereof, is free from any claims of infringement. You are responsible for obtaining any rights you may require for any implementation based on the Information. All specifications are subject to change without notice. XILINX EXPRESSLY DISCLAIMS ANY WARRANTY WHATSOEVER WITH RESPECT TO THE ADEQUACY OF THE INFORMATION OR ANY IMPLEMENTATION BASED THEREON, INCLUDING BUT NOT LIMITED TO ANY WARRANTIES OR REPRESENTATIONS THAT THIS IMPLEMENTATION IS FREE FROM CLAIMS OF INFRINGEMENT AND ANY IMPLIED WARRANTIES OF MERCHANTABILITY OR FITNESS FOR A PARTICULAR PURPOSE. Except as stated herein, none of the Information may be copied, reproduced, distributed, republished, downloaded, displayed, posted, or transmitted in any form or by any means including, but not limited to, electronic, mechanical, photocopying, recording, or otherwise, without the prior written consent of Xilinx.