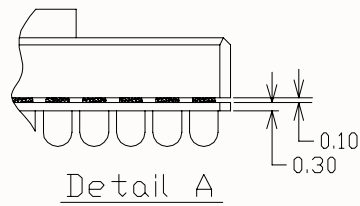
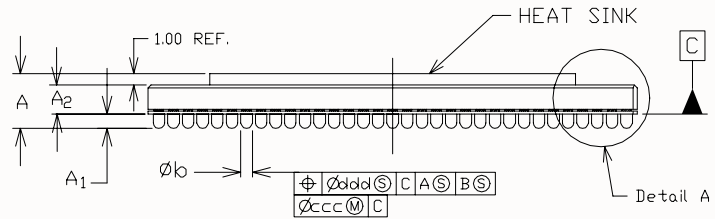
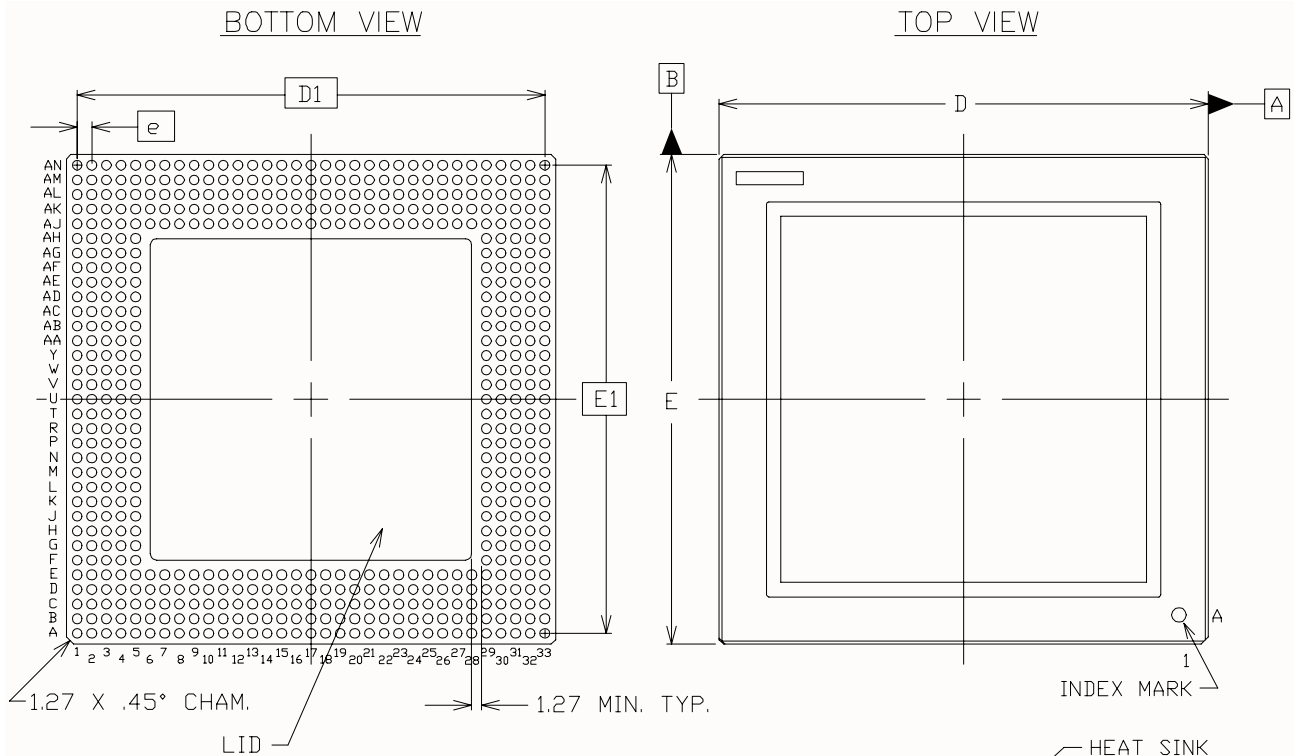


Ceramic Column Grid Array (CG560) Package



SYMBOL	MILLIMETERS			NOTE
	MIN.	NOM.	MAX.	
A	4.70	5.02	5.35	2
A ₁	1.55	1.62	1.70	
A ₂	2.15	2.40	2.65	
D/E	42.10	42.50	42.90	
D ₁ /E ₁	40.64 REF.			
e	1.27 BSC			
∅b	0.79	0.89	0.99	
ccc	<i>h</i>	<i>h</i>	0.15	
ddd	<i>h</i>	<i>h</i>	0.30	
M	33			

NOTES:

1. ALL DIMENSIONS AND TOLERANCES CONFORM TO ANSI Y14.5M-1994
2. SYMBOL "M" IS THE PIN MATRIX SIZE.
3. LEAD FINISH: HIGH TEMP. SOLDER Pb(90%)/Sn(10%)
4. HEAT SINK IS CONNECTED TO GROUND.