

Behavioral Modeling and Timing Constraints

Introduction

Behavioral modeling was introduced in Lab 1 as one of three widely used modeling styles. Additional capabilities with respect to testbenches were further introduced in Lab 4. However, there are more constructs available in this modeling style which are particularly useful for complex sequential digital circuits design. Sequential circuits require clocking, and with clocking there is always a frequency or speed involved at which the circuit can be run. The expected speed can be communicated to the tools through specific timing constraints via the XDC file. In this lab you will learn more language constructs and timing constraints concepts. *Please refer to the Vivado tutorial on how to use the Vivado tool for creating projects and verifying digital circuits.*

Objectives

After completing this lab, you will be able to:

- Use various language constructs using behavioral modeling
- Communicate timing expectations through timing constraints

Behavioral Modeling

Part 1

As mentioned in previous labs, the primary mechanisms through which the behavior of a design can be modeled are: `initial` and `always` statements. The `initial` statement is mainly used in testbenches to generate inputs at a desired time, whereas the `always` statement is mainly used to describe the functionality of the circuit. Both the `initial` and `always` statements may have simple or block of (having enclosed between `begin ... end`) procedural statement(s).

A procedural statement is one of

```
procedural_assignment (blocking or non-blocking)
conditional_statement
case_statement
loop_statement
wait_statement
event_trigger
sequential_block
task (user or system)
```

When multiple procedural statements are enclosed between `begin ... end`, they execute sequentially. Since an `always` statement executes continuously, they are typically controlled using either delay control or event control mechanisms. Here is an example of a delay controlled procedural statement:

```
always
  #5 CLK = ~CLK;
```

In the above example, the statement will execute after every 5 units of time specified in the Verilog code, inverting the signal value every time it executes, thus generating a clock of 10 units period. The `#5 CLK = ~CLK` statement is considered a delay control, meaning the time delay between the statement encountered and actually executed is 5 time units. When the delay appears on the left side (as in above case), it is also considered as an inter-statement delay where the statement is blocked for that much time then gets evaluated and the result is assigned to the target. Below is the example that illustrates the effect of the inter-statement delay:

```
initial
begin
  #5 SIG1 = 3;
  #4 SIG1 = 7;
```

```
#2 SIG1 = 4;
end
```

The SIG1 signal will get the value of 3 at 5, value of 7 at 9, and value of 4 at 11 time units.

```
wire test;
always @(test)
begin
    #5 CLK = ~CLK;
end
```

The above `always` statement will execute only when there is a change in value (an event) on a wire `test`. The change in value can be 0 -> 1, 1 -> 0, 0 -> x, x->1, x -> 0, 1 -> z, z -> 0, 0 -> z, z -> 1 or 1->x. When the event occurs, the logical value of CLK will be flipped after 5 time units.

```
wire test;
always @(posedge test)
begin
    #5 CLK = ~CLK;
end
```

The above `always` statement will execute only when there is a rising edge change (0 -> 1, 0 -> x, 0 -> z, z->1, x->1) in value on a wire `test`. When the event occurs, the logical value of CLK will be flipped after 5 time units. Such events are called edge-triggered events. In contrast to edge-triggered events, there can be another type of event called a level-sensitive event control.

```
wait (SUM > 22)
    SUM = 0;

wait (DATA_READY)
    DATA = BUS;
```

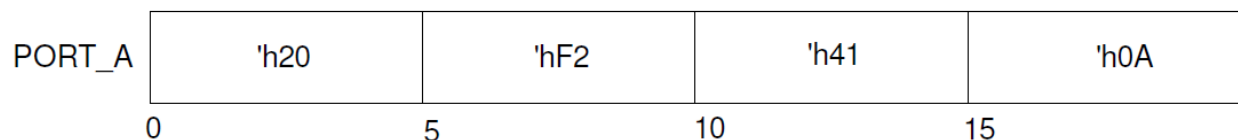
In the above examples, SUM is assigned 0 only when SUM is greater than 22, and DATA is assigned whatever the value is on BUS when DATA_READY is asserted.

Until now, we have been dealing with the inter-statement delay which helps to model an inertial delay in the behavior of the code. There is another kind of delay, called an intra-statement, which is used to model the transport delay using the assignment statement. Here is an example of it:

```
DONE = #5 1'b1;
```

In this statement, the intra-statement delay value is mentioned on the right side of the assignment operator. The right hand side expression is evaluated when encountered, but the result of the expression is only assigned after the stated delay.

1-1. Write a testbench using inter-statement delays to produce the following waveform for the port named PORT_A.



The "=" assignment operator in procedural assignment statements are used as a blocking procedural assignment. As the name indicates, the subsequent statement is blocked until the current assignment is done. Here is an example that explains the concept:

```
always @(A or B or CIN)
begin
    reg T1, T2, T3;
    T1 = A & B;
```

```

    T2 = B & CIN;
    T3 = A & CIN;
end

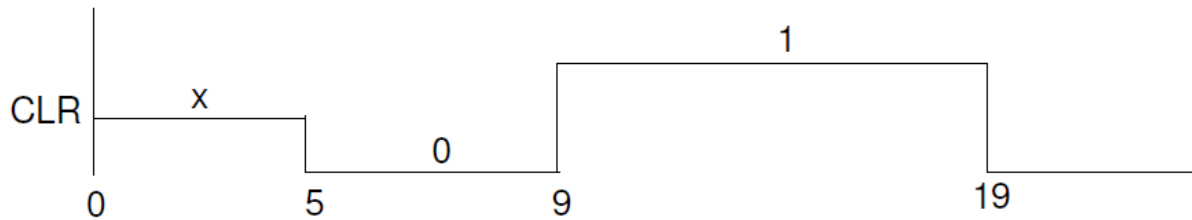
```

The T1 assignment occurs first, T1 is computed, then the second statement is executed, T2 is assigned and then the third statement is executed and T3 is assigned. Here is another example.

```

initial
begin
    CLR = #5 0;
    CLR = #4 1;
    CLR = #10 0;
end

```



Another kind of assignment operator, where the assignment operator “<=” used is called non-blocking. The statement that uses the non-blocking operator does not block the execution; however the assignment is scheduled to occur in the future. When the non-blocking assignment is executed, the right-hand side expression is evaluated at that time and its value is scheduled to be assigned to the left-hand side target and the execution continues with the next statement. The non-blocking statements are widely used for content transfer across multiple registers (often in parallel) when a desired clock event occurs.

```

always @(posedge CLK)
begin
    T1 <= #5 A & B;
    T2 <= #8 B & CIN;
    T3 <= #2 A & CIN;
end

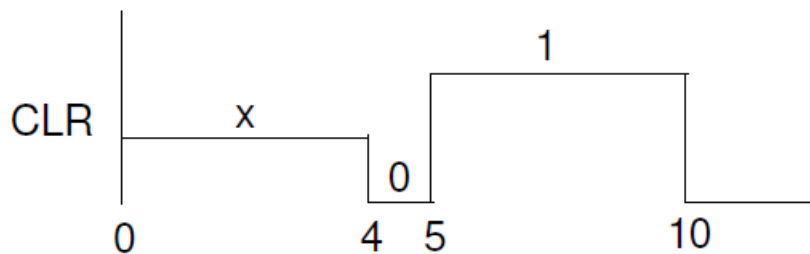
```

In this example, when the positive edge event on the CLK occurs, A, B, and CIN values are noted (captured), and then T1 gets an updated value after a 5 time units delay, T2 gets updated after a 8 time units delay, and T3 gets updated after a 2 time units delay all after the same rising edge of the CLK signal. Here is another example that generates the output shown in the waveform diagram.

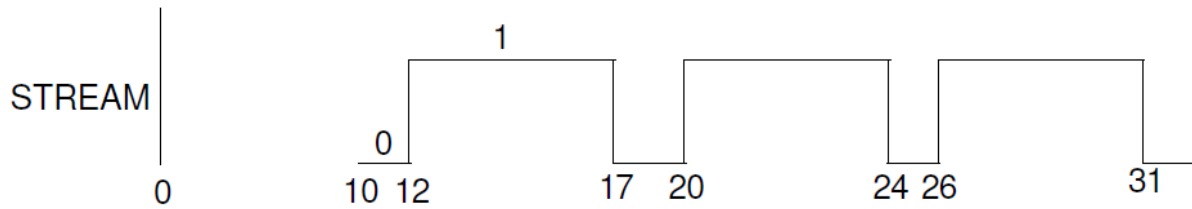
```

initial
begin
    CLR <= #5 1;
    CLR <= #4 0;
    CLR <= #10 0;
end

```



1-2. Write a testbench using intra-statement delays to produce the following waveform.



So far we have seen constructs which allow generation of stimulus unconditionally. However, many times we like to have different stimulus generation upon certain conditions. Verilog HDL provides control altering statements such as `if`, `if ... else`, and `if ... else if`. The general syntax of an `if` statement is:

```
if (condition-1)
    procedural_statement
[ else if (condition-2)
    procedural_statement ]
[ else
    procedural_statement ]
```

If the `procedural_statement` above consists of more than one statement then they are enclosed between a `begin...end` block.

It is possible to have nested `if` statements. In such case, the `else` part is associated to the closest `if` part. For example, below, the `else` part is associated to the `if` (RESET) condition,

```
if (CLK)
    if (RESET)
        Q <= 0;
    else
        Q <= D;
```

The `if` statement is commonly used to create a priority structure, giving higher priority to the condition listed first.

1-3. Write a behavioral model to design a 1-bit 4-to-1 mux using the if-else-if statement. Develop a testbench to verify the design. Assign the four input channels to SW3-SW0 (SW3 is assigned to most significant channel and will have the lowest priority, and so on) and select lines to SW5-SW4 and output to LED0. Verify your design in the hardware using the Nexys4 board. Look at the Project Summary report and make sure that no latches or registers resources are used or inferred.

Another widely used statement is a `case` statement. The `case` statement is generally used when we want to create a parallel structure (unlike priority). The `case` statements are commonly used in creating the finite state machine. The syntax of the `case` statement is:

```
case [ case_expression]
    case_item_expr [, case_item_expression] : procedural_statement
    ...
    ...
```

```
[ default: procedural_statement ]
endcase
```

The `case_expression` is evaluated first (whenever there is an event on it), and the value is matched with the `case_item_expr` in the order they are listed. When the match occurs, the corresponding `procedural_statement` is executed. The `procedural_statement`, if it consists of multiple statements, is enclosed in a `begin ... end` block. The `default` case covers all values that are not covered by any of the `case_item_expr`. In the `case_expression`, the `x` and `z` (if present) is compared literally in `case_item_expr`. That is they are not considered don't care. If you want to consider them as don't care than you can use `casex` or `casez` statement instead of `case`. In the `casez` statement, the value `z` that appears in the `case_expression` and `case_item_expr` is considered as don't care. In the `casex` statement, both the values `x` and `z` are considered as don't care

1-4. Design a gray code generator using the case statement. The design will take a 4-bit BCD input through SW3-SW0 and will output the corresponding gray code value on the four LEDs, LED3-LED0, provided that the enable input on SW4 is TRUE. If the enable input is FALSE or the input is not BCD then LED3-LED0 should all be turned ON and LED4 should also be turned ON. Look at the Project Summary report and make sure that no latches or registers resources are used.

Verilog HDL also supports various loop statements to do the same function a number of times. The supported loop statements are:

```
forever loop
repeat loop
while loop
for loop
```

The `forever` loop statement is used when the procedural statement(s) need to be executed continuously. Some kind of timing control must be used within the procedural statement if a periodic output is desired. For example, to generate a clock of 20 units period, the following code can be used.

```
initial
begin
  CLK = 0;
  forever
    #10 CLK = ~CLK;
end
```

The `repeat` loop statement is used when the procedural statement(s) need to be executed for a specified number of times. Note: if the loop count expression is an `x` or a `z`, then the loop count is treated as a 0.

```
repeat (COUNT)
  SUM = SUM +5;
```

The `while` loop statement's procedural statement(s) are executed until certain conditions become false.

```
while (COUNT < COUNT_LIMIT)
  SUM = SUM +5;
```

The `for` loop statement is used when the procedural statement(s) need to be executed for a specified number of times. Unlike the `repeat` statement, an index variable is used which can be initialized to any desired value, it can be further updated by whatever value is required, and a condition can be given to terminate the loop statement. The loop index variable is normally defined as an integer type. Here is an example of the loop statement.

```
integer K;
for (K=0; K < COUNT_LIMIT; K = K+1)
    SUM = SUM + K;
```

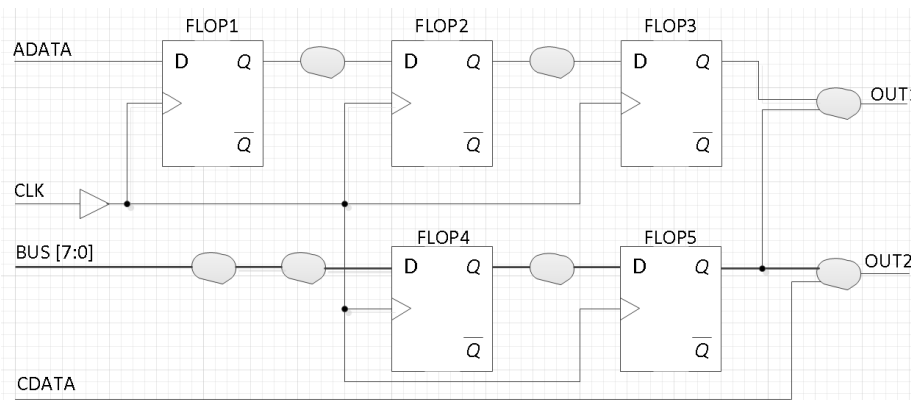
- 1-5. Write a model of a counter which counts in the sequence mentioned below. The counter should use behavioral modeling and a case statement. Develop a testbench to test it. The testbench should display the counter output in the simulator console output. Simulate using the clock period of 10 units for 200 ns. 000, 001, 011, 101, 111, 010, (repeat 000). The counter will have an enable signal (SW1), a reset signal (SW0), and a clock signal (SW15). The output of the counter will be on LED2-LED0.**

Timing Constraints

Part 2

In combinatorial logic design, delays through the circuits will depend on the number of logic levels, the fan-out (number of gate inputs a net drives) on each net, and the capacitive loading on the output nets. When such circuits are placed between flip-flops or registers, they affect the clock speeds at which sequential designs can be operated. The synthesis and implementation tools will pack the design in LUT, flip-flops, and registers, as well as place them appropriately if the expected performance is communicated to them via timing constraints. Timing constraints can be categorized into global timing or path specific constraints. The path specific constraints have higher priority over global timing constraints, and the components which are used in those specific paths are placed and routed first.

The global timing constraints cover most of the design with very few lines of instructions. In any pure combinatorial design, the path-to-path constraint is used to describe the delay the circuit can tolerate. In sequential circuits, period, input delay, and output delay constraints are used. All four kinds of the timing constraints are shown in the figure below.



In the above figure, the paths which are covered between ADATA input and D port of FLOP1, BUS input and D port of FLOP4 can be constrained by a constraint called SET_INPUT_DELAY command. The set_input_delay command indicates how much time is spent between the Q output of a FF in the upstream device, the routing delay in the upstream device as well as the board delay. The tools will subtract that delay from the clock period of the clock signal listed in the command and will use the resulting delay to place and route the path between the input and the D input of FF. It will also consider delay experienced by the clock arriving to the clock port of the destination FF (e.g. FLOP1 in the above diagram). The max and min qualifiers are used for the setup and hold checks.

The paths between the port Q of FLOP3 and output OUT1, Q port of FLOP5 and OUT1, Q port of FLOP5 and OUT2 can be constrained by SET_OUTPUT_DELAY command. Again, the delay mentioned indicates how much delay is spent in the board delay, routing delay and the setup delay of the FF in the downstream device.

The paths between CDATA and OUT2 can be constrained by the SET_MAX_DELAY constraint.

The paths between Q port of FLOP1 and D port of FLOP2, Q port of FLOP2 and D port of FLOP3, Q port of FLOP4 and D port of FLOP5 can be constrained by the period constraint. The period constraint is created using the `create_clock` command. The `create_clock` command may refer to a pin of the FPGA design or may not refer any pins. When the clock pin is not referred, a virtual clock will be created. When the pin is referred, the period parameter indicates rising to rising edge delay and waveform option indicates when the rising edge occurs and the second number indicates when the falling edge occurs. The waveform option can be used to create clocks of non-50% duty cycle and/or phase delayed clock signal.

```
create_clock -name CLK -period 10.0 -waveform (0 5.0) [get_ports CLK]
set_input_delay -clock CLK -max 3.0 [all_inputs]
set_input_delay -clock CLK -min 1.0 [all_inputs]
set_output_delay -clock CLK 2.0 [all_outputs]
set_max_delay 5.0 -from [get_ports CDATA] -to [get_ports OUT2]
```

Note that the clock period is defined at 10 ns. This is applied throughout the example for consistency. Further details on the syntax of each constraint type can be found in UG903, the Vivado Using Constraints Guide.

Conclusion

In this lab you learned about various constructs available in behavioral modeling. You also learned about blocking and non-blocking operators as well as concepts and the need of timing constraints. Providing the timing constraints to the implementation tools the generated output can be made to meet the design's timing specifications.